

Product name: LED drawer light with vibration sensor

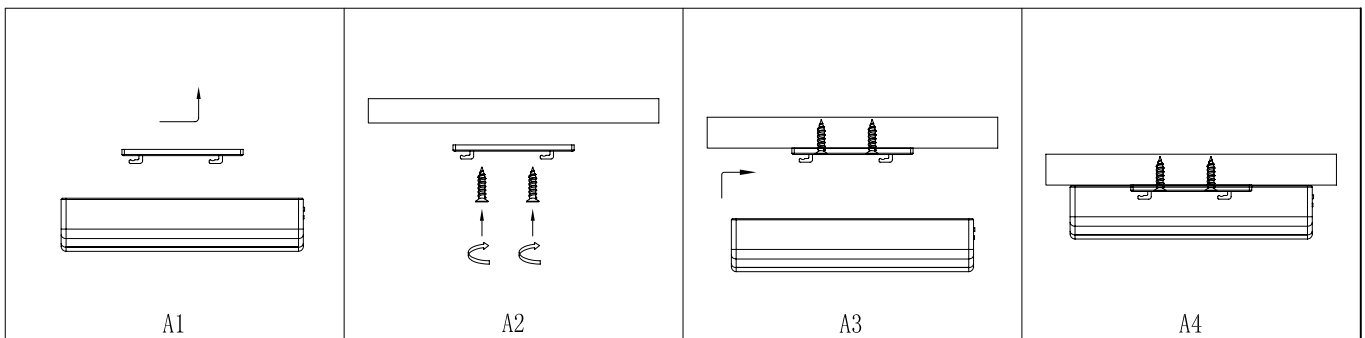
Product description : The unique class III insulated led drawer light with vibration sensor is designed based on vibration sensor application, with a USB rechargeable port and built in lithium battery.

Function introduction : There is a switch close to the USB port, slide to on position, when the lamp vibrates by the external vibration, the lamp switch on automatically, after 12S delay time, the lamp switch off automatically. Once in low battery, slide to off position, connecting the USB for recharging, when the red light is on, the battery is charging, green light means the battery has been fully charged, It stops automatically once fully charged.

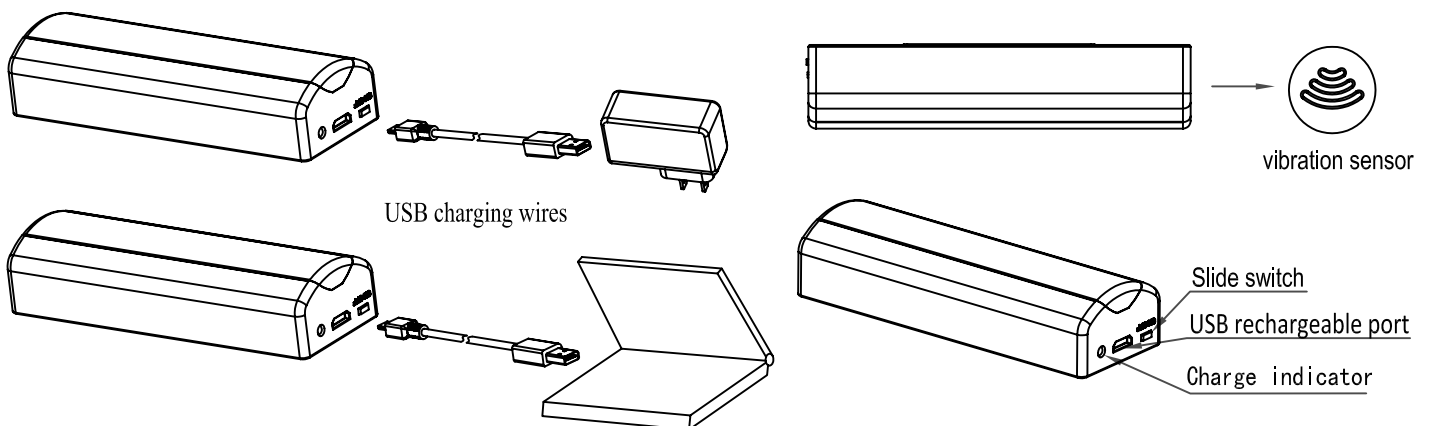
Product parameters:

| | |
|-----------------------------|----------------------------------------------------------|
| Color temperature | WW/NW/CW |
| Wattage | 1W |
| Charging voltage | DC5V(USB) |
| Charging time | 2 or 3 hours |
| For continuously using time | last for 4-6 months at usage frequency 4-6 times per day |
| Standby current | <30uA |

Installation instructions:



Operating instructions:



USB charging parameters: 5 V / 1 A

When the lamp vibrates by the external vibration, the lamp switch on automatically, after 12S delay time, the lamp switch off automatically. Once battery ran out, it can use mobile phone charger or computer's USB for recharging, when fully charged, remove the charger for normal installation and using.