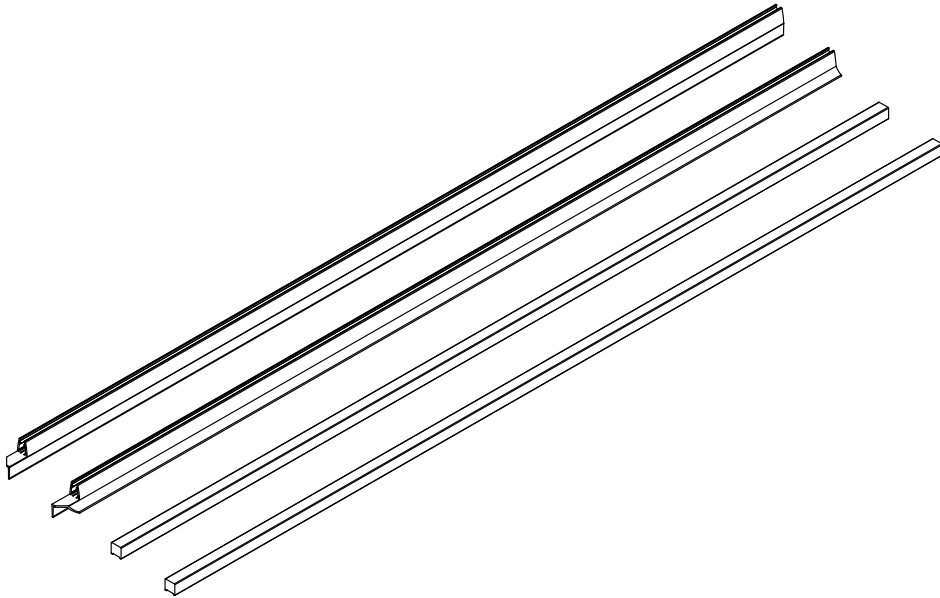
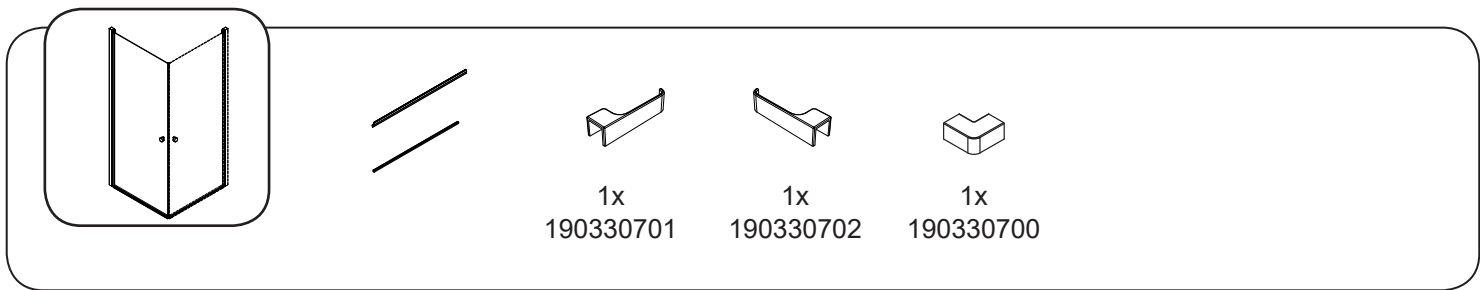




DANSANI®

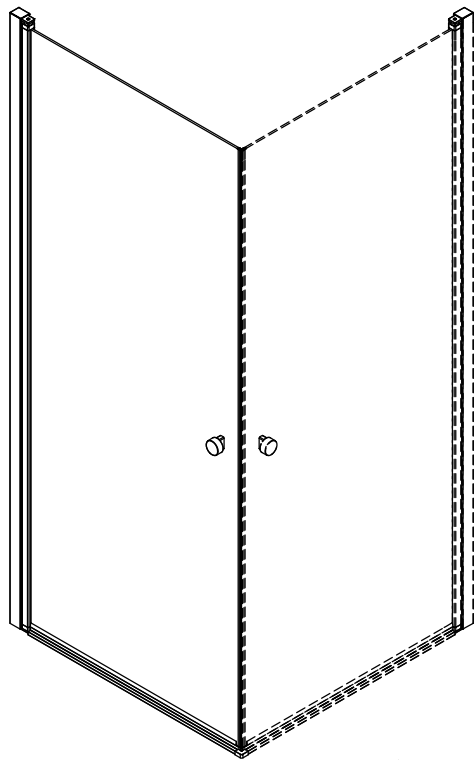
D078-02



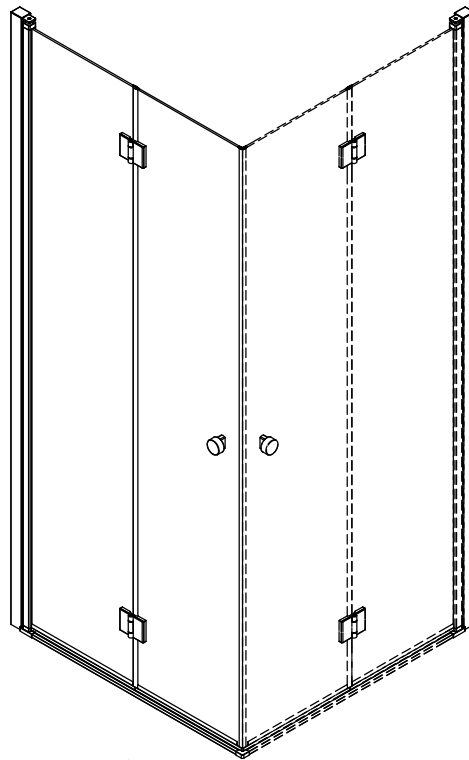


1

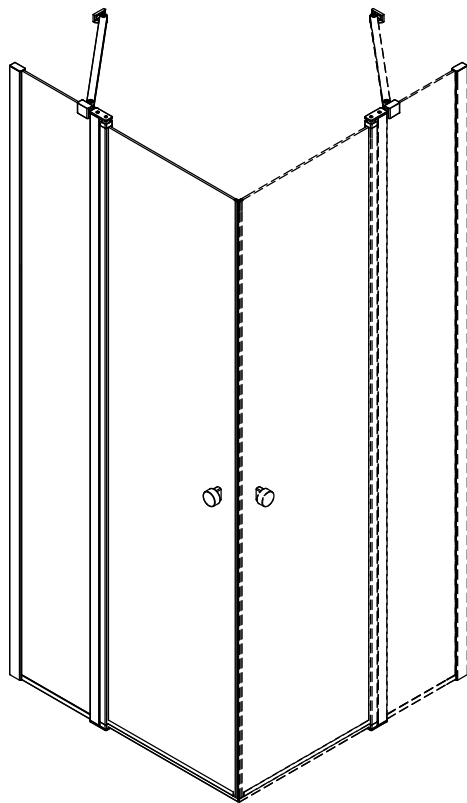
A



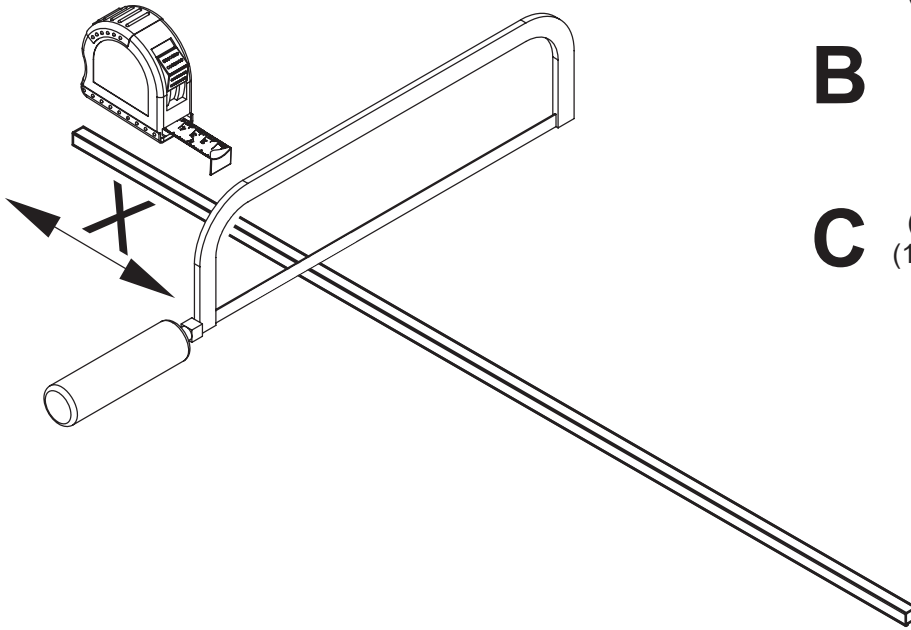
B



C



2

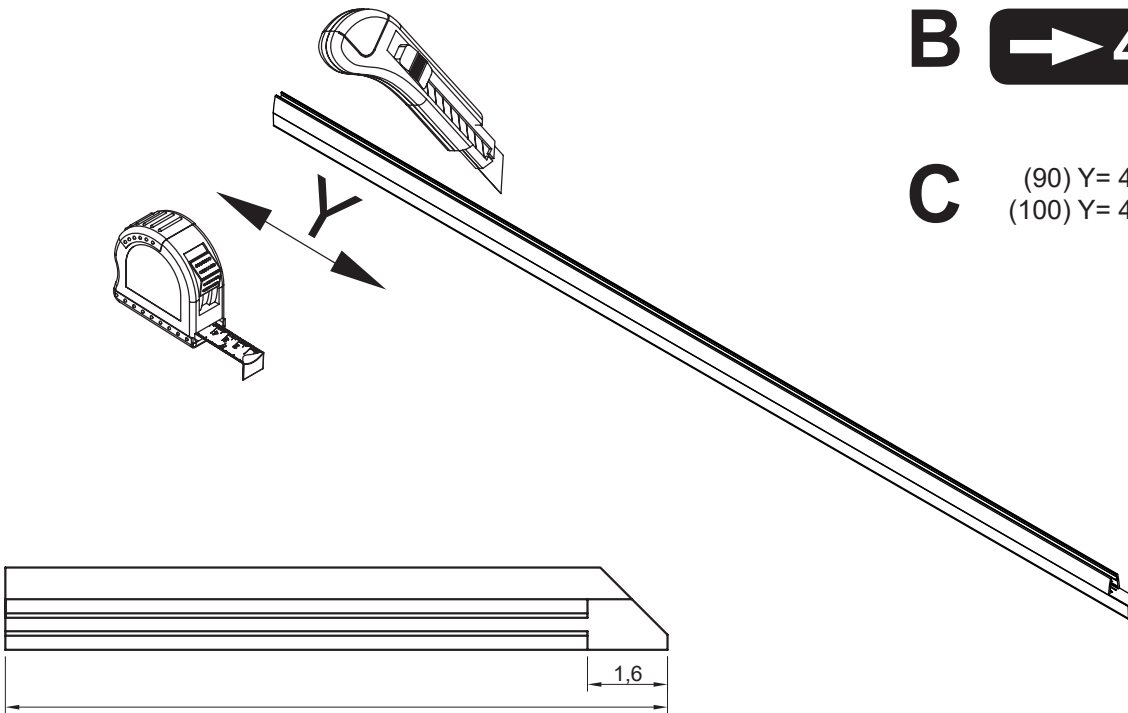


A (70) X= 30 cm
(80) X= 20 cm
(90) X= 10 cm
(100) X= 0 cm

B (70) X= 30 cm
(80) X= 20 cm
(90) X= 10 cm
(100) X= 0 cm

C (90) X= 40,5 cm
(100) X= 40,5 cm

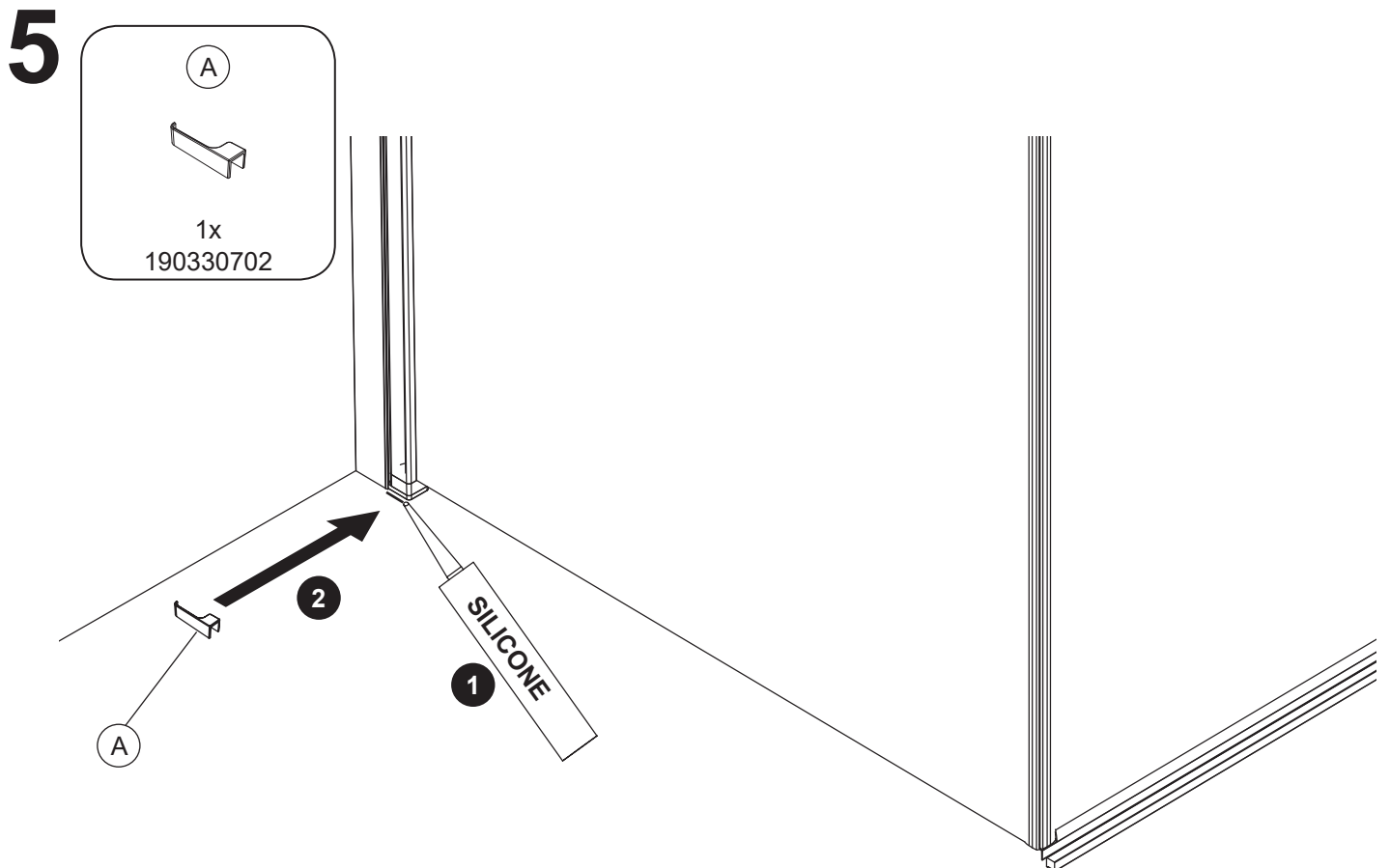
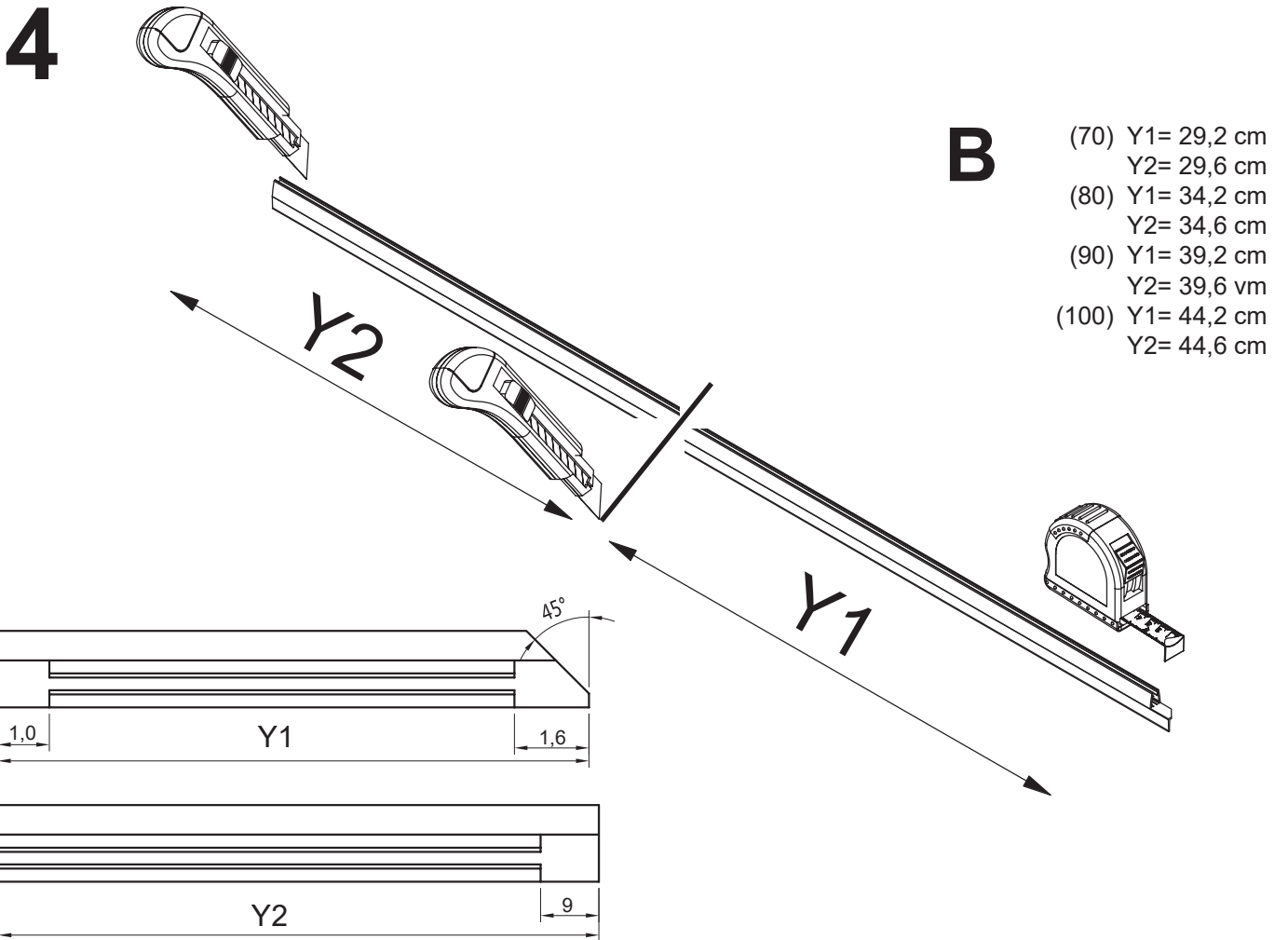
3



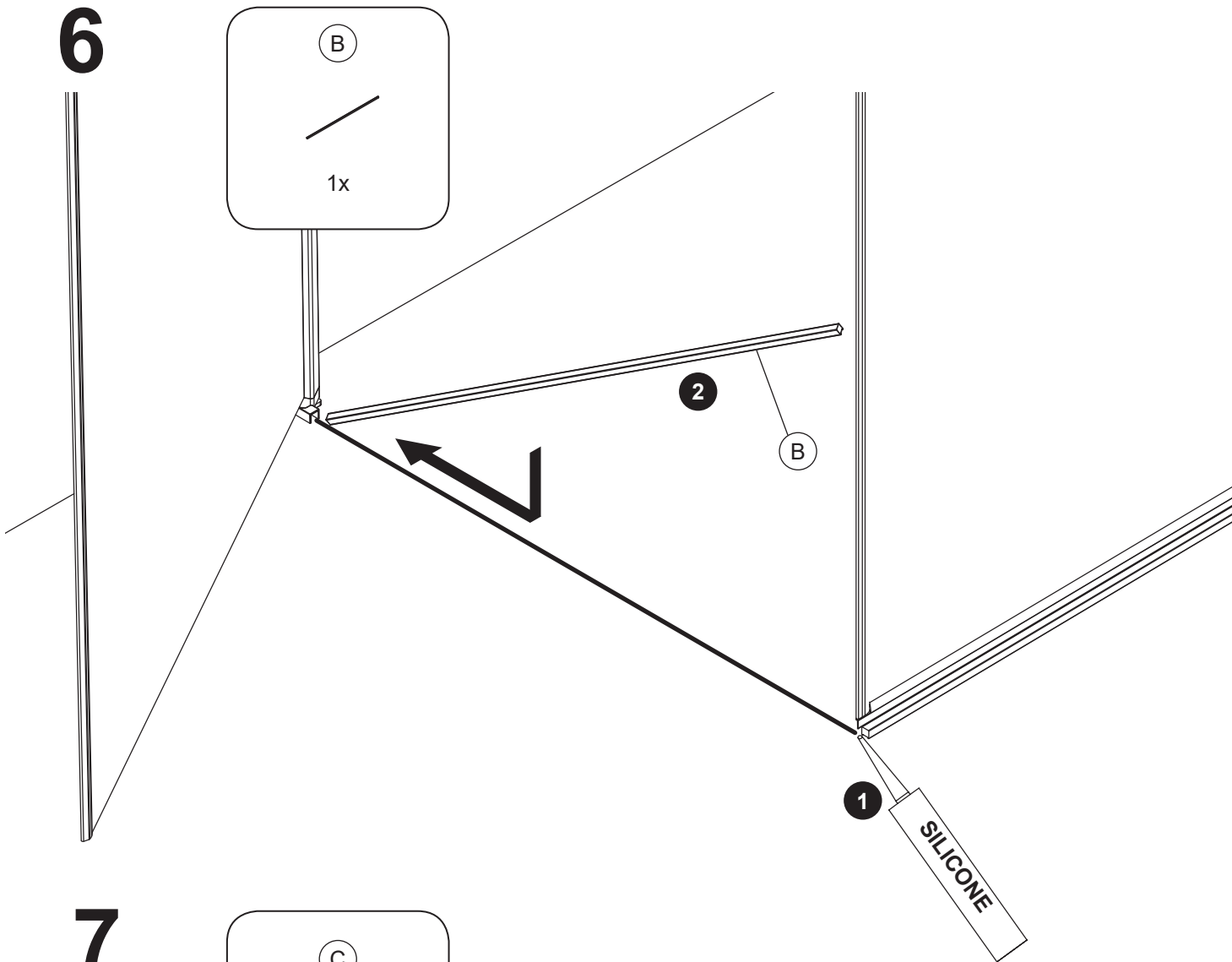
A (70) Y= 30 cm
(80) Y= 20 cm
(90) Y= 10 cm
(100) Y= 0 cm

B → 4

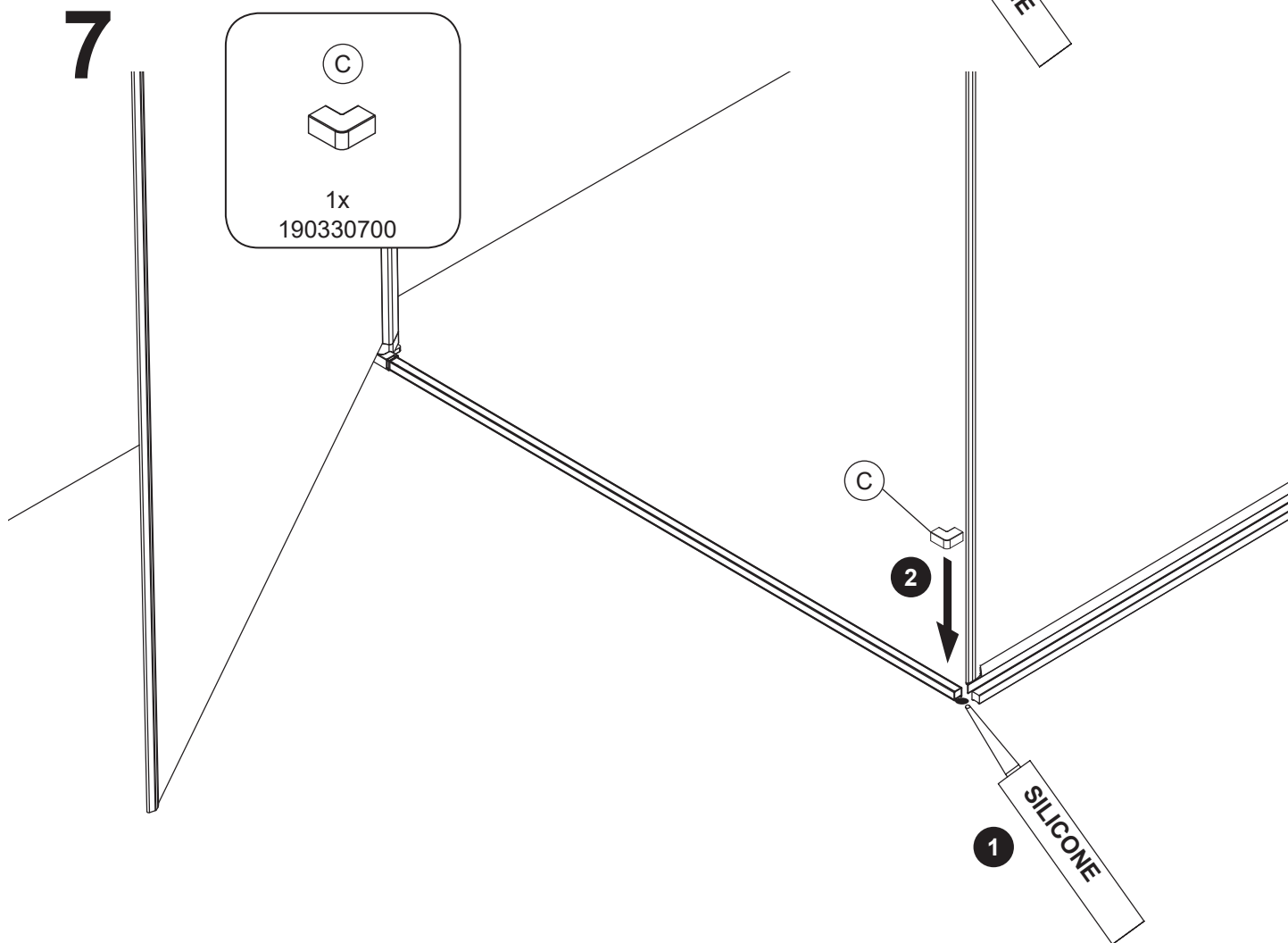
C (90) Y= 40,1 cm
(100) Y= 40,1 cm



6



7



8

