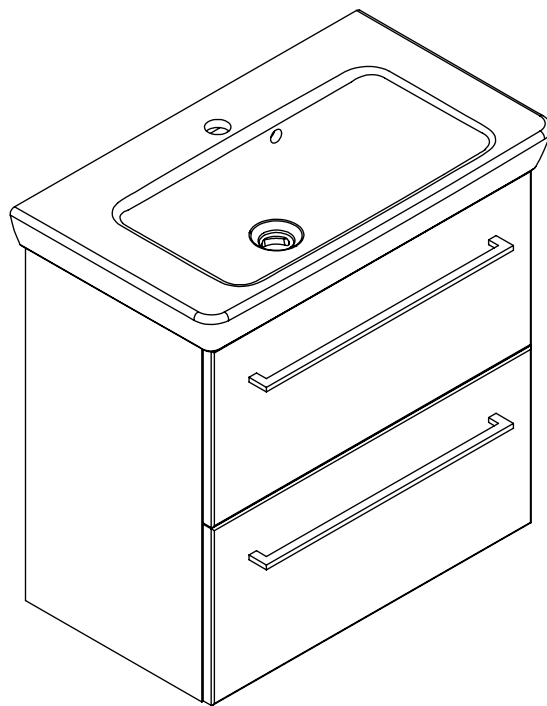




**DANSANI®**





4x  
5-500



2x  
390010190



4x  
5,0-60SU

o

8x  
19500000

# 1

(A)



4x  
5-500

(B)

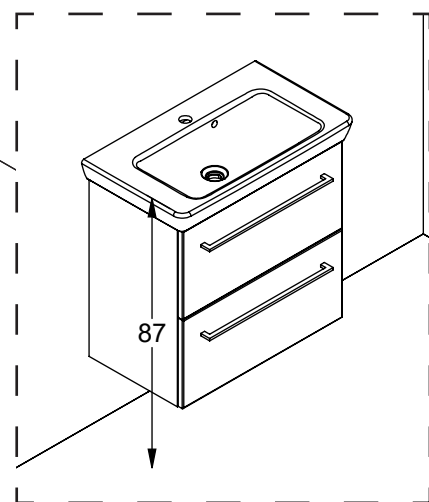
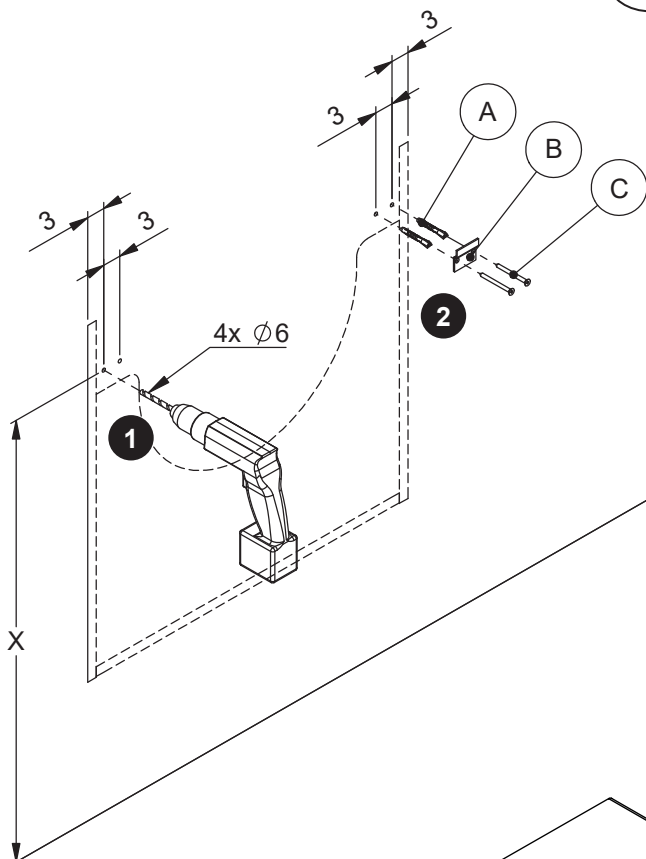


2x  
390010190

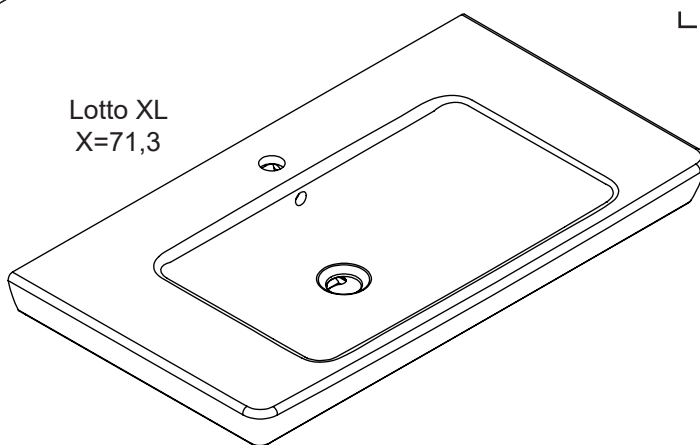
(C)



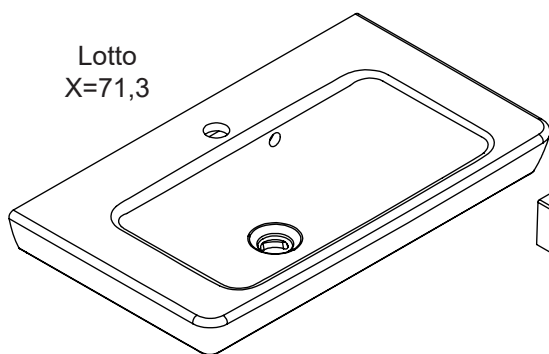
4x  
5,0-60SU



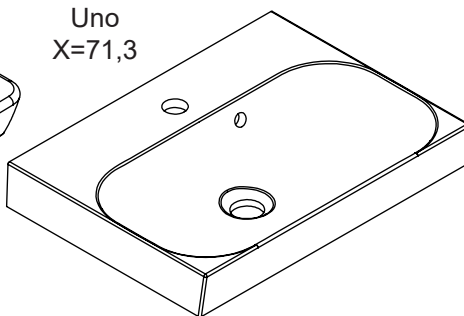
Lotto XL  
X=71,3



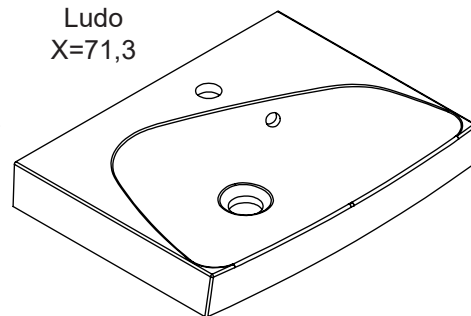
Lotto  
X=71,3



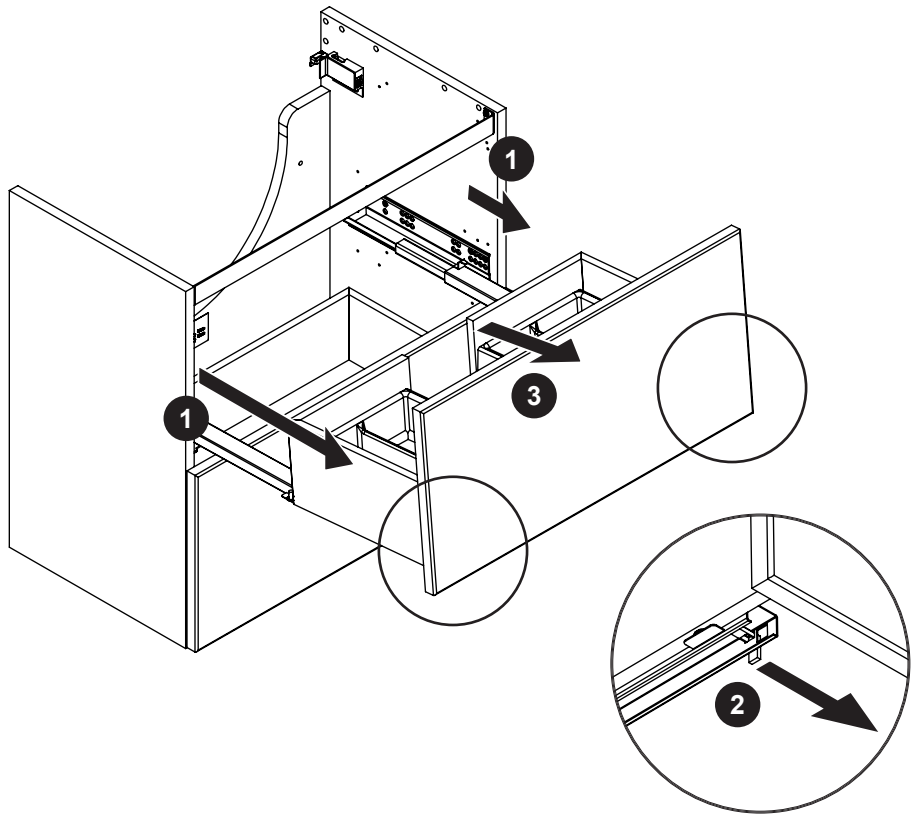
Uno  
X=71,3



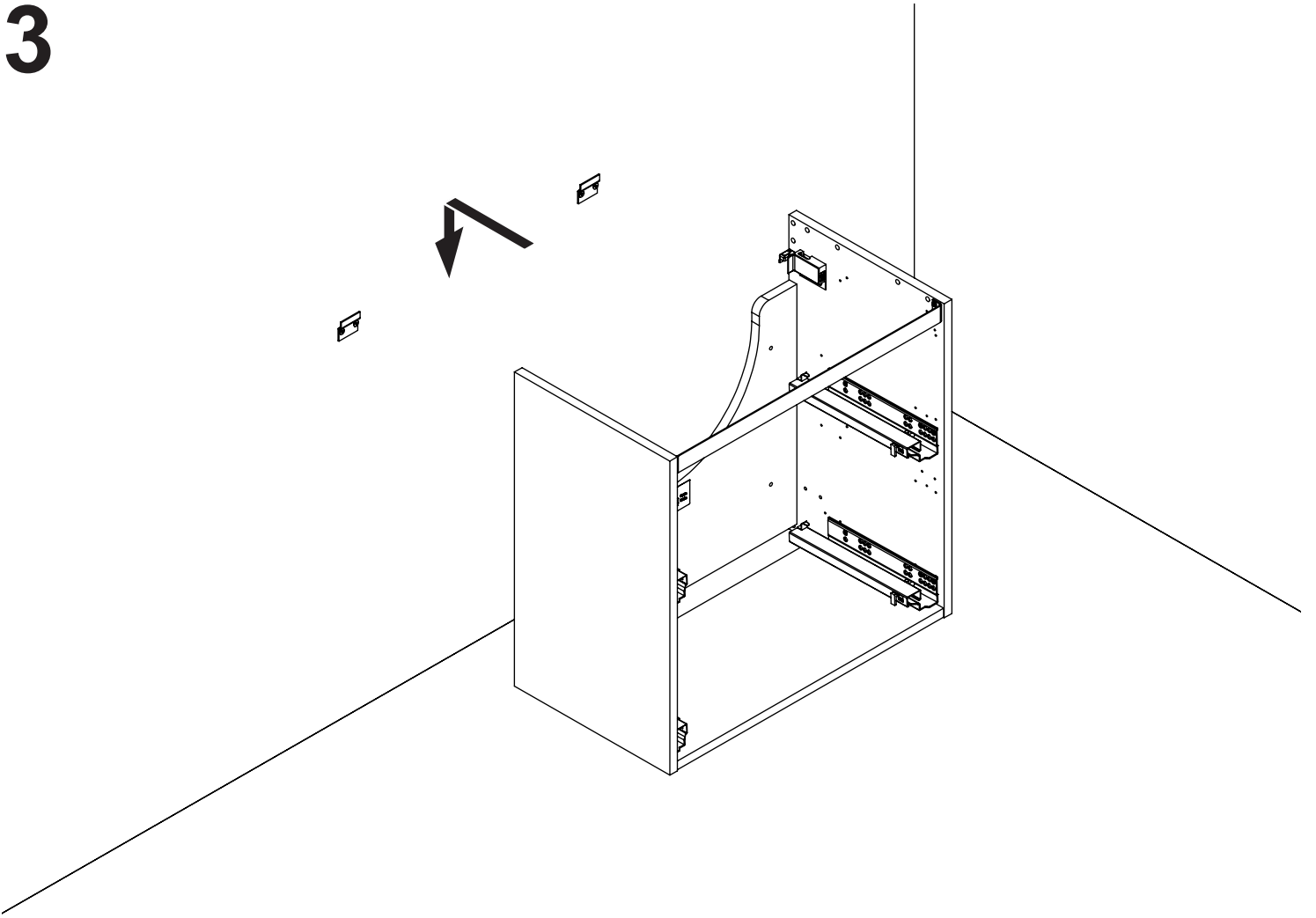
Ludo  
X=71,3



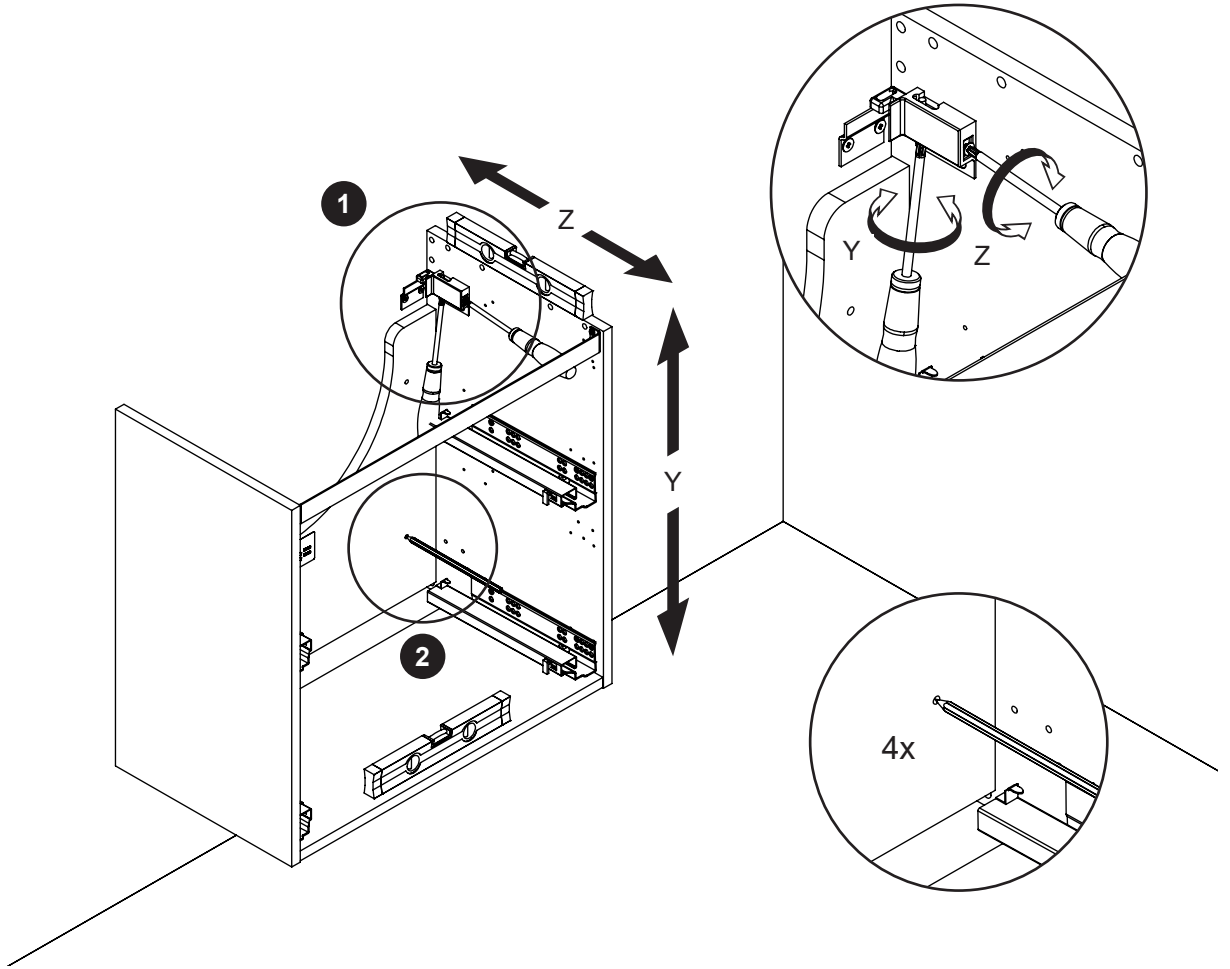
2



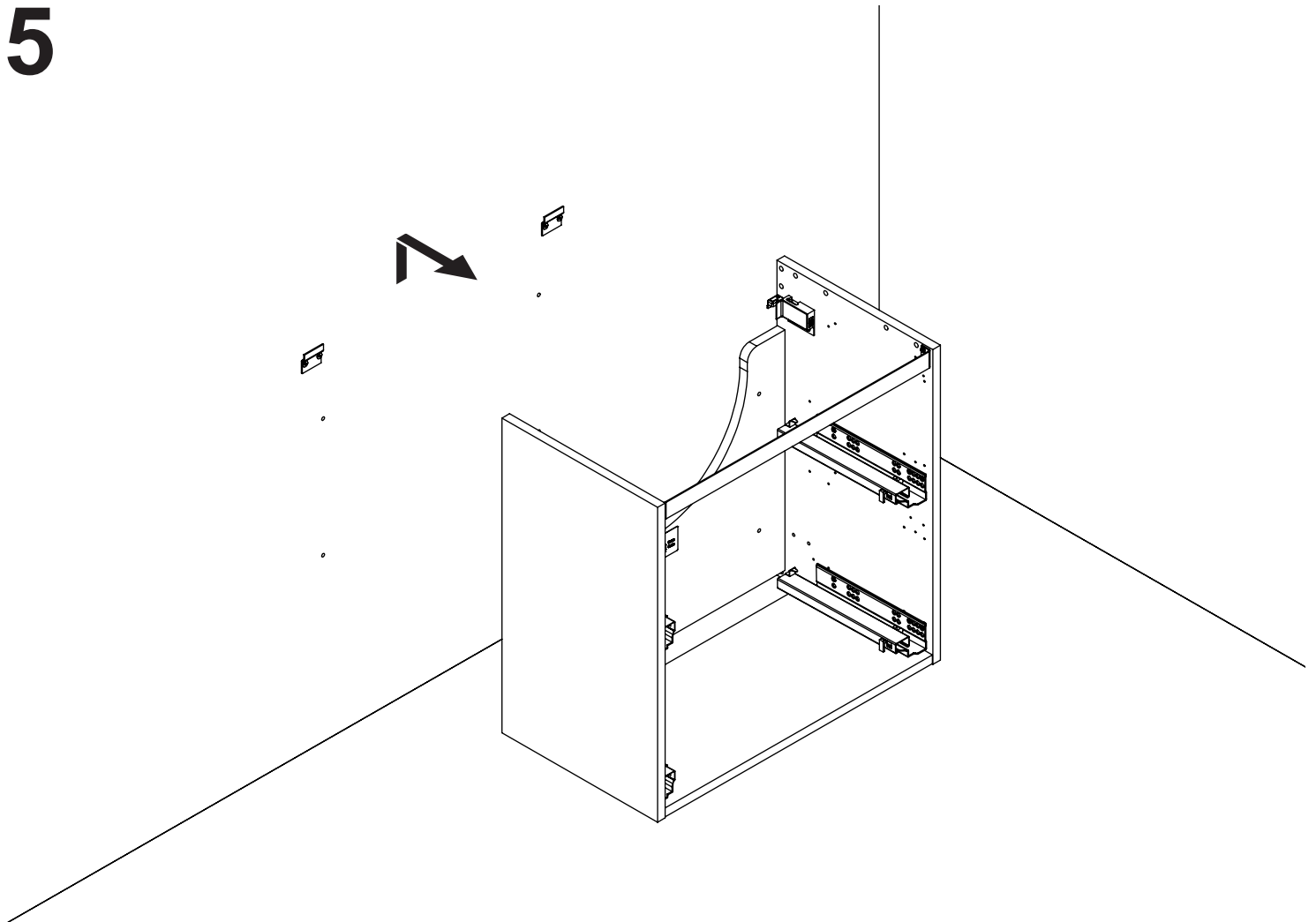
3



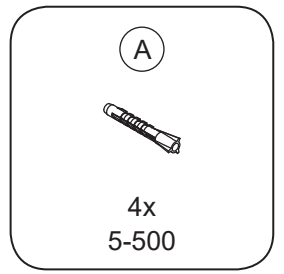
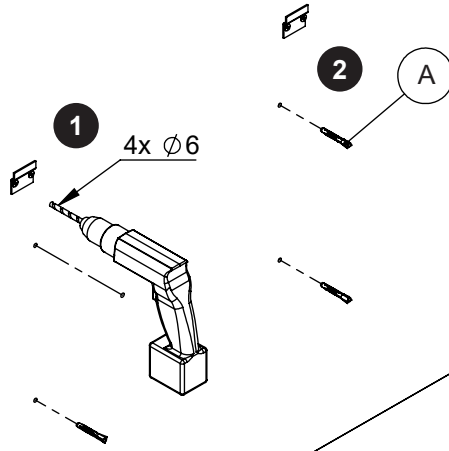
4



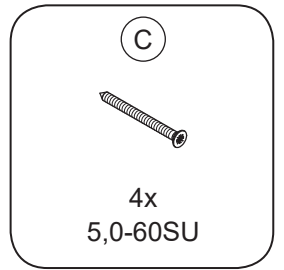
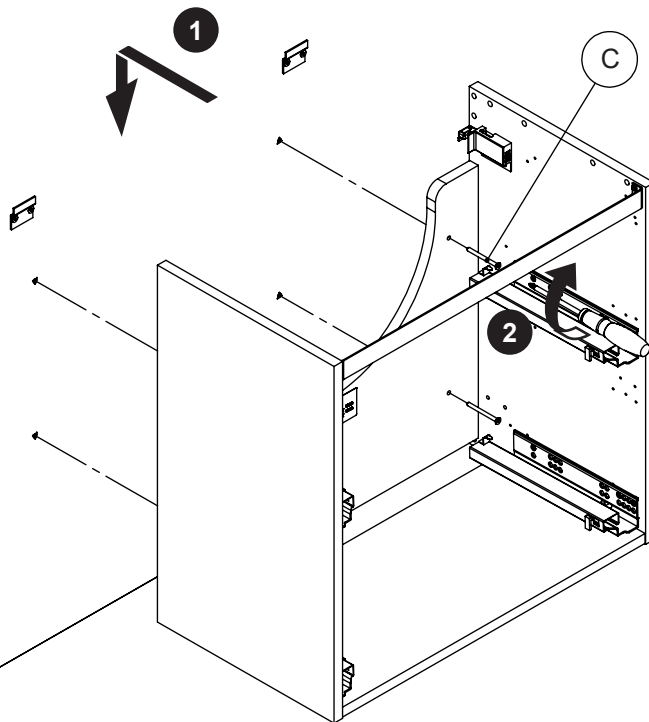
5



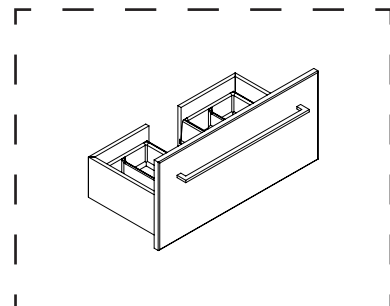
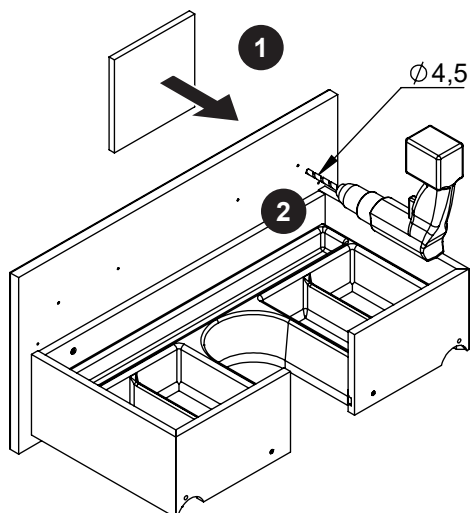
# 6



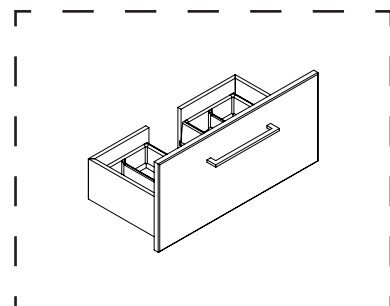
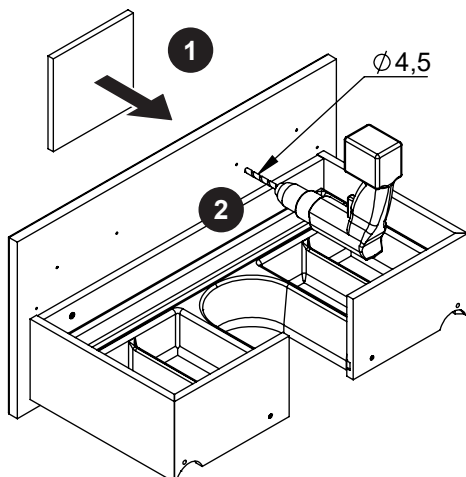
# 7



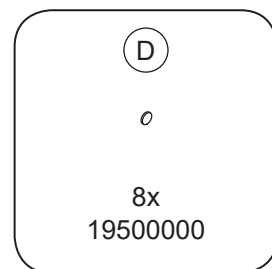
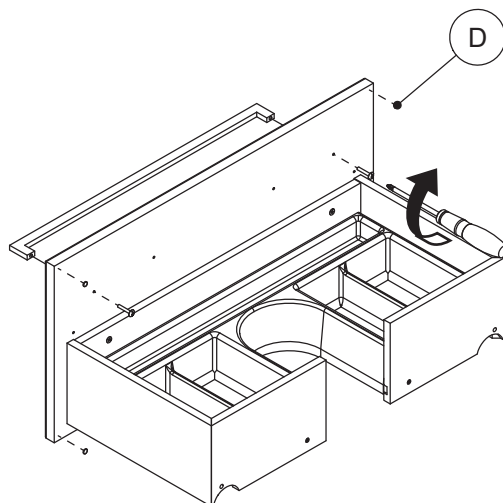
# 8A



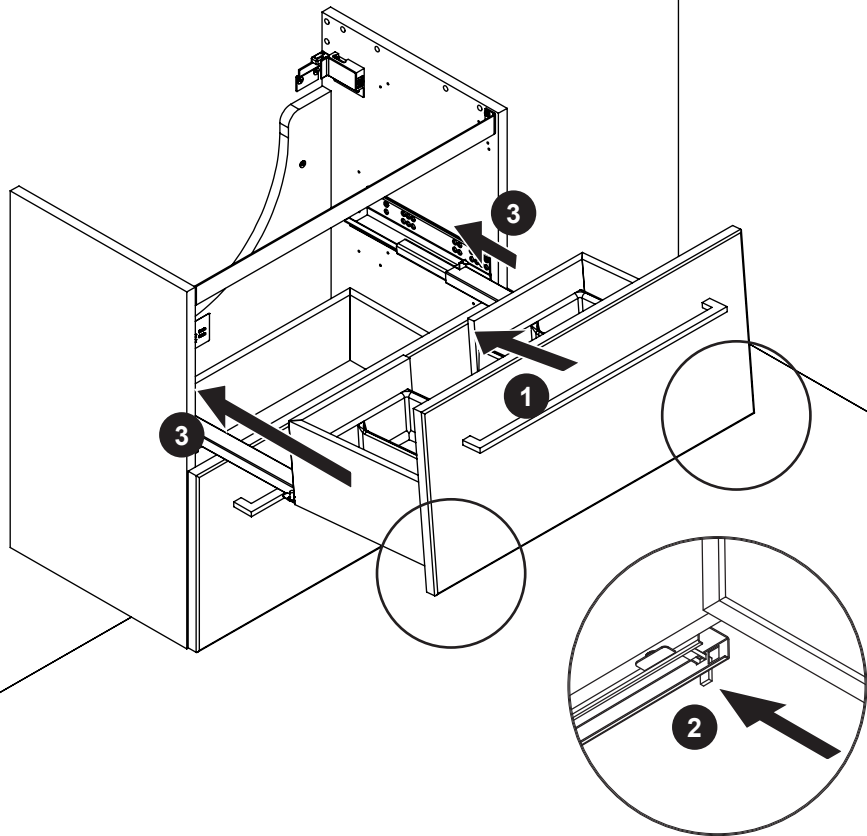
# 8B



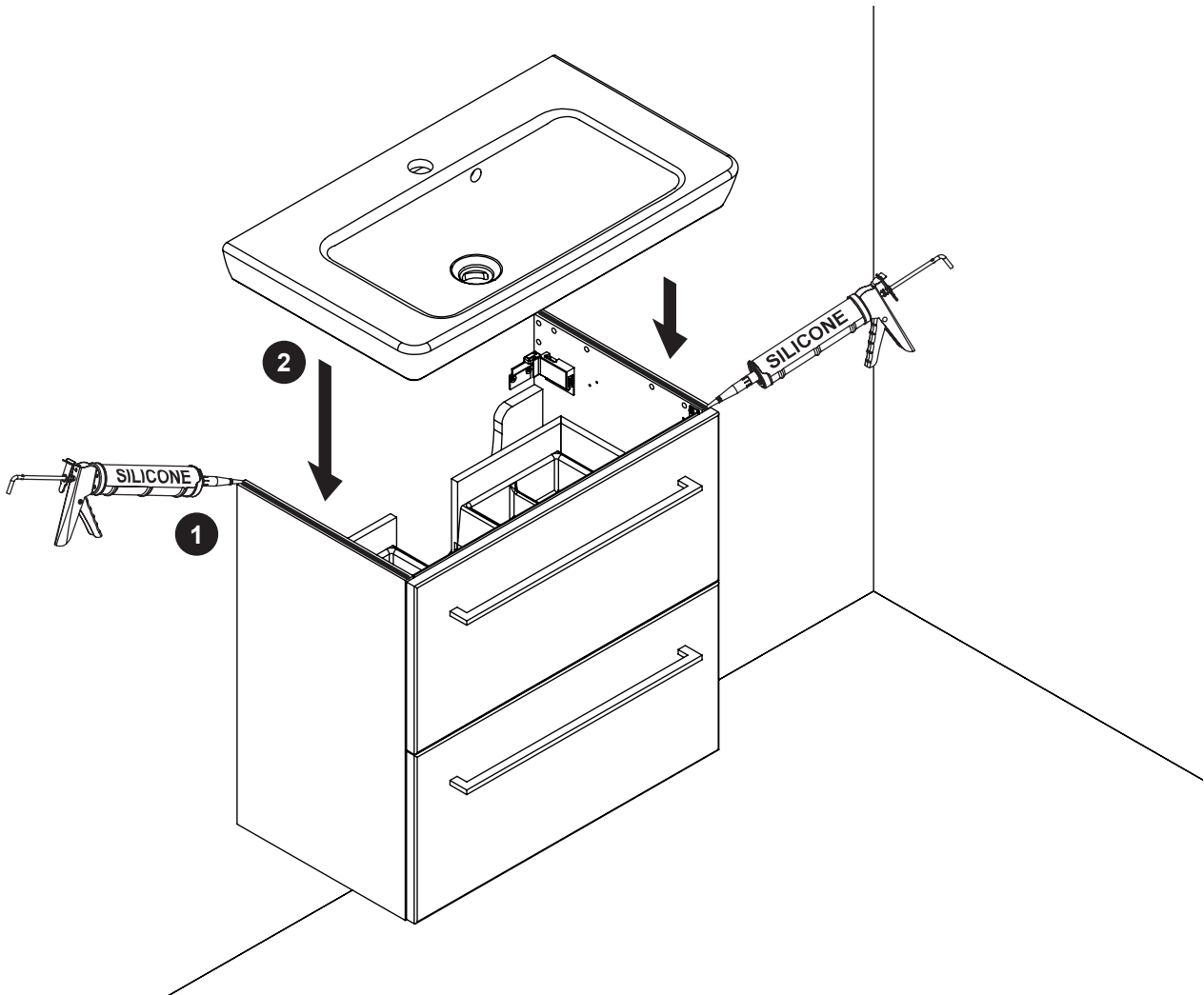
# 9



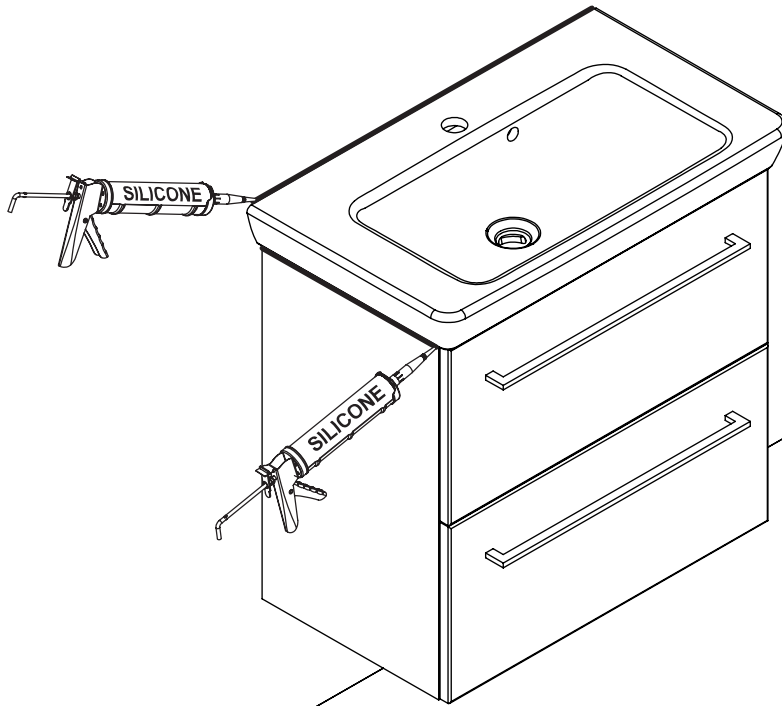
# 10



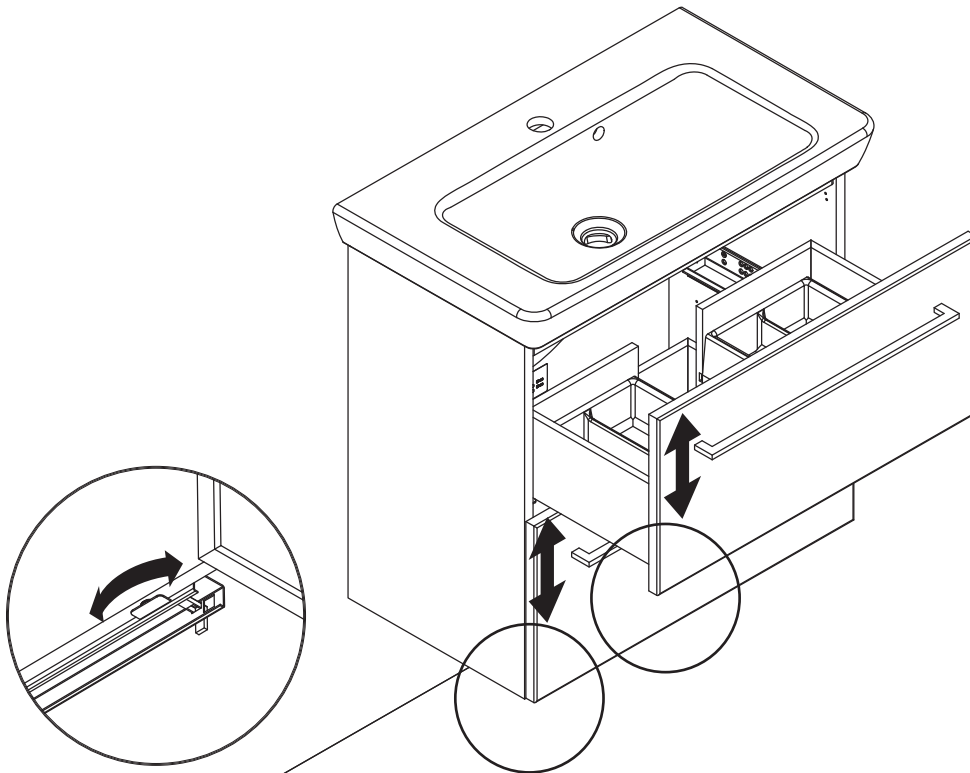
# 11



# 12



# 13



5 711112 176945