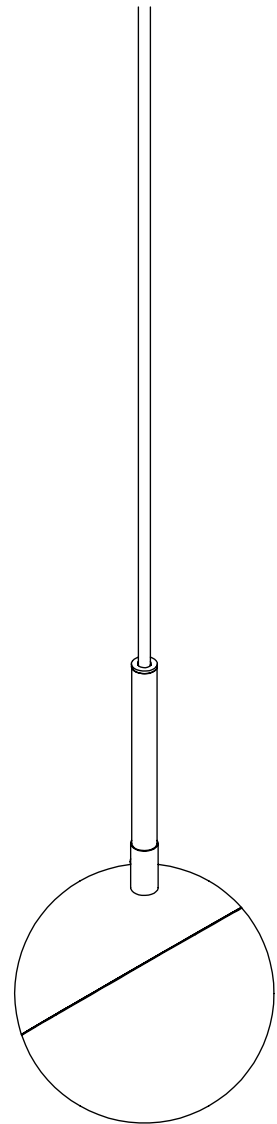
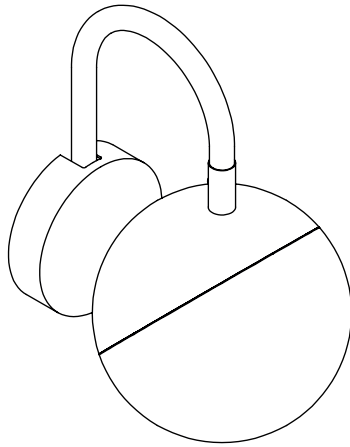
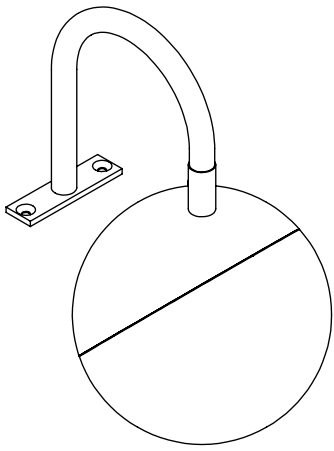
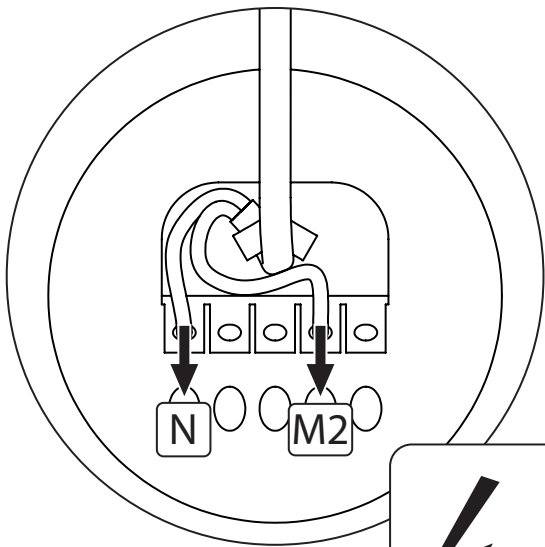


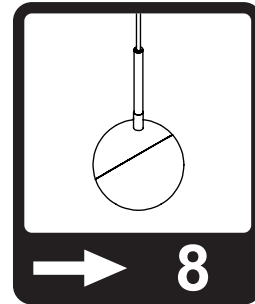
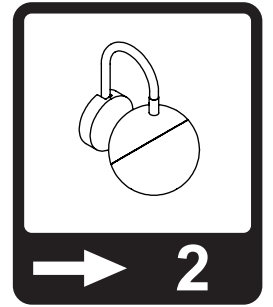
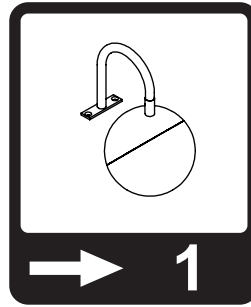


DANSANI
DANISH BATHROOM DESIGN

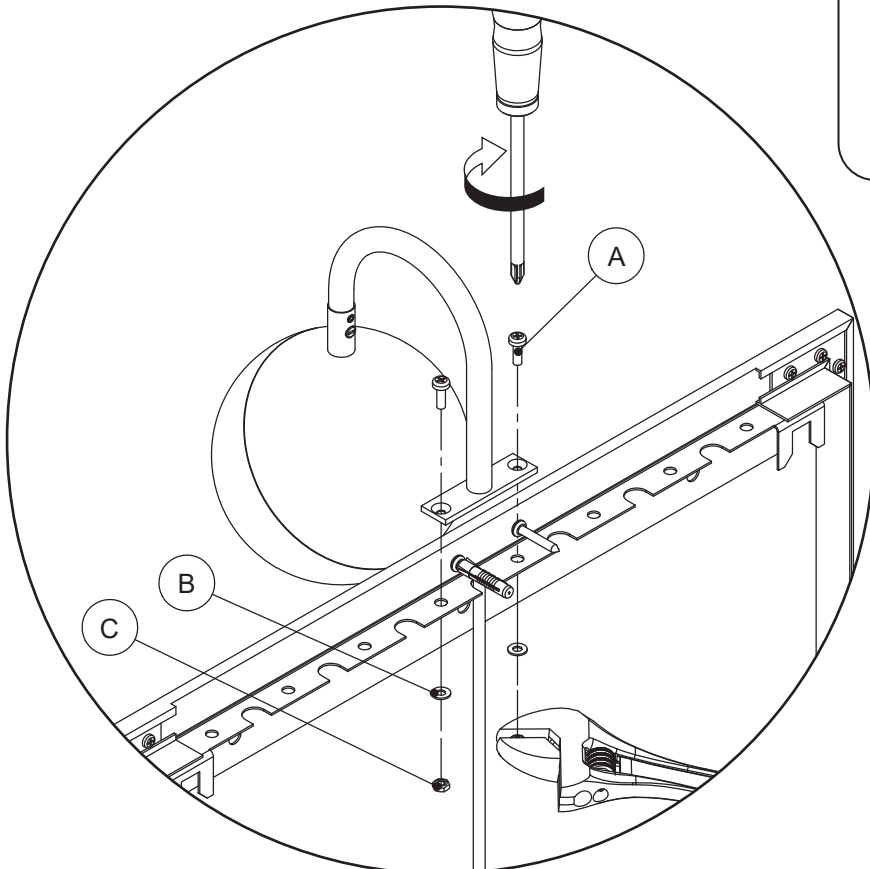




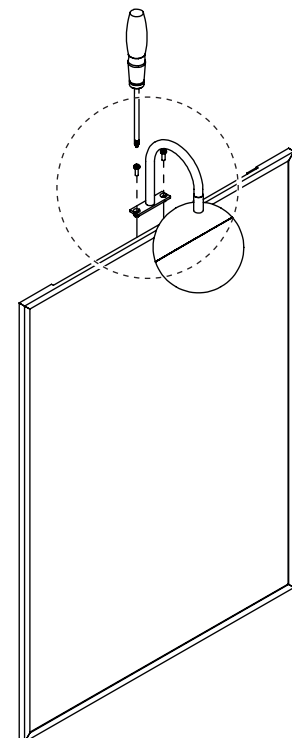
230 V ~
 May only be installed by
 an authorised electrician



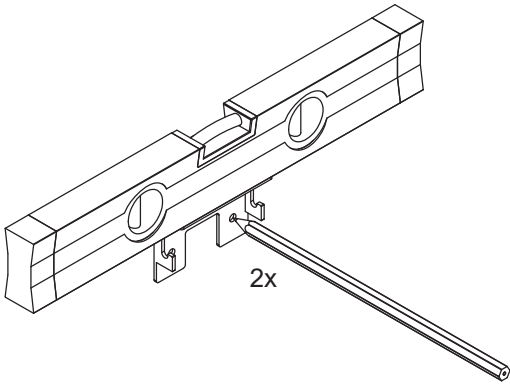
1



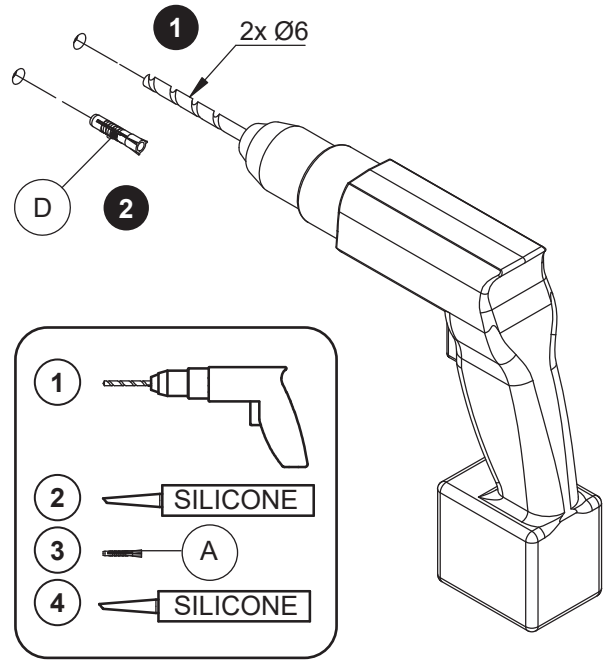
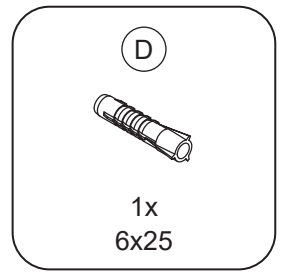
A	B	C
2x M4x12	2x D12/4,2x0,8	2x M4



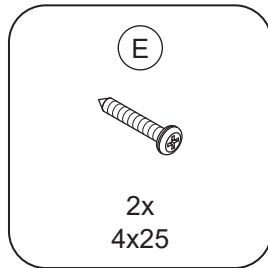
2



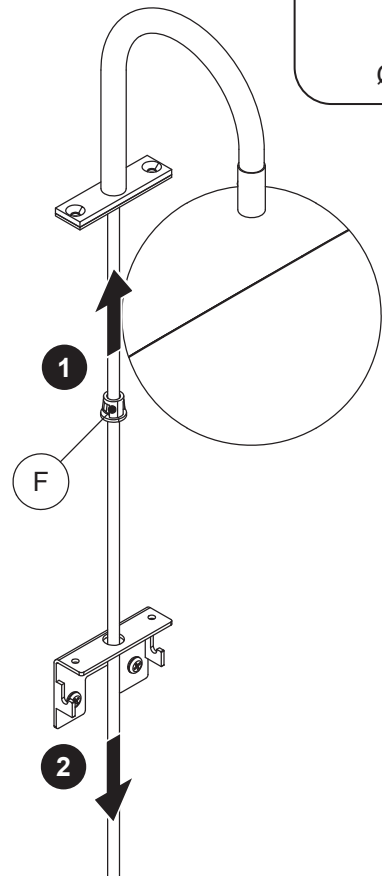
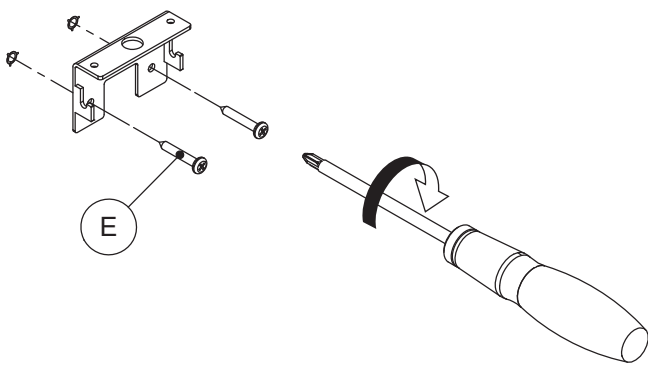
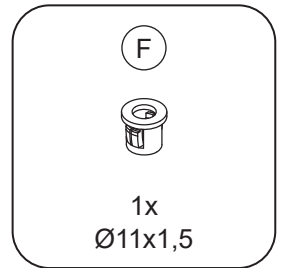
3



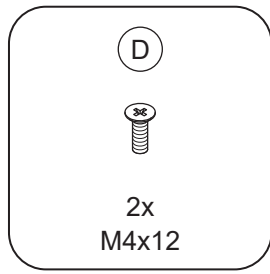
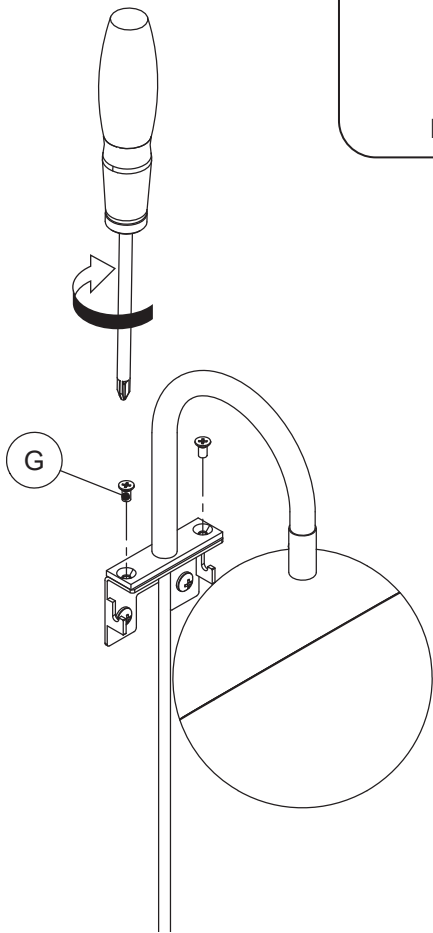
4



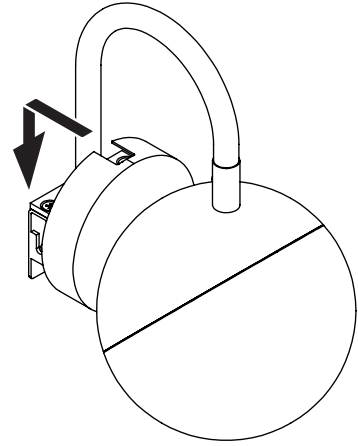
5



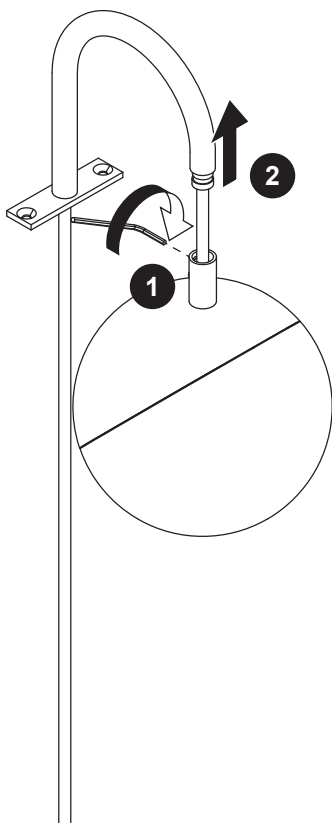
6



7



8



9

