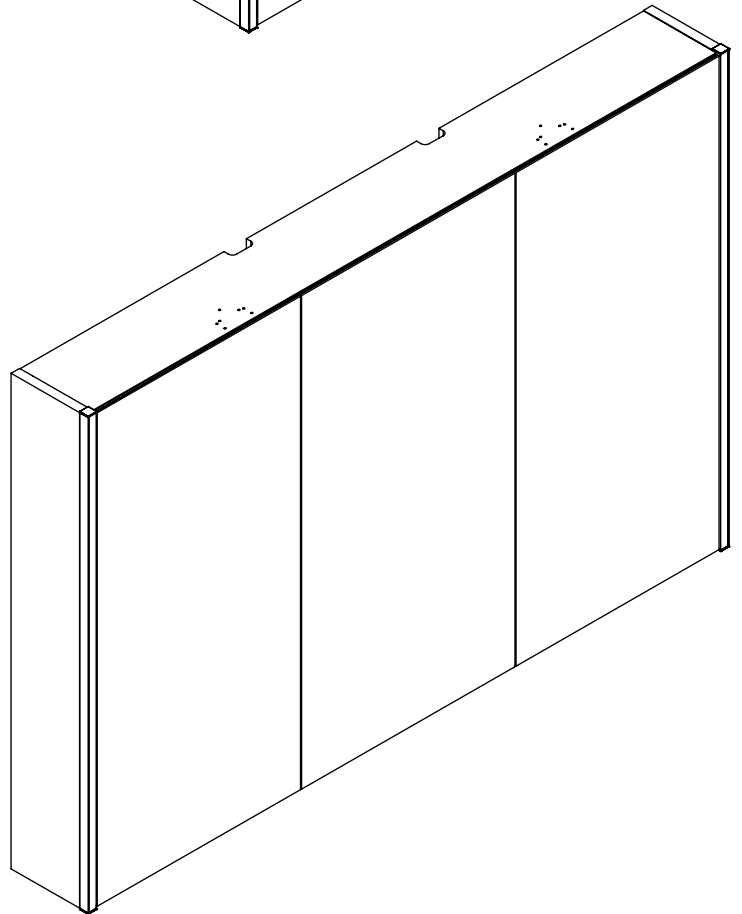
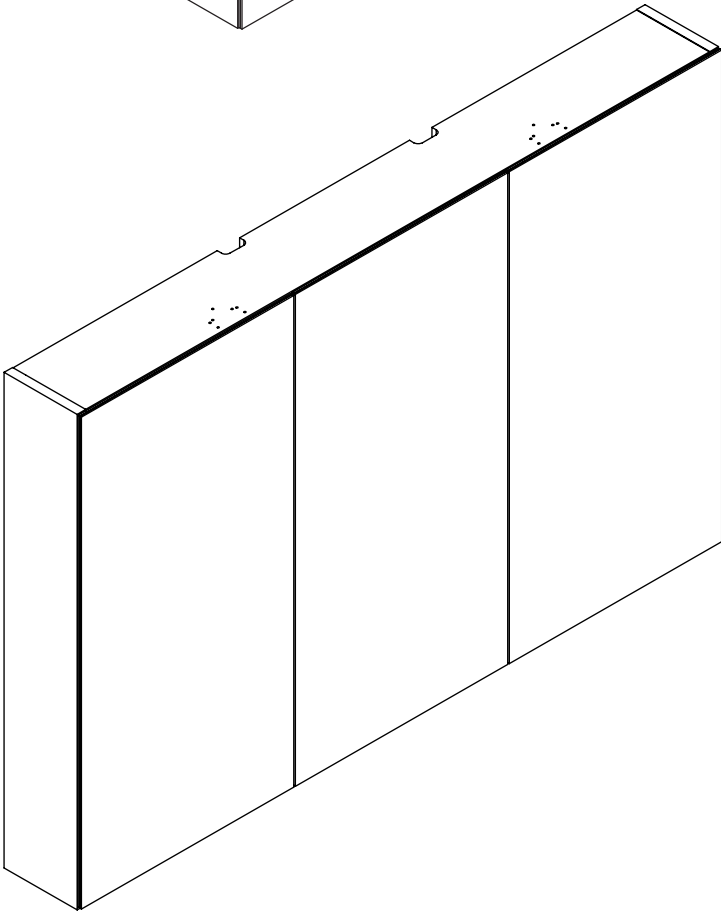
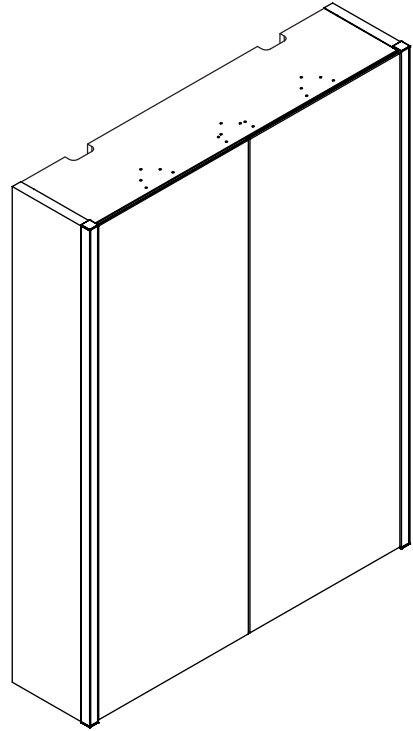
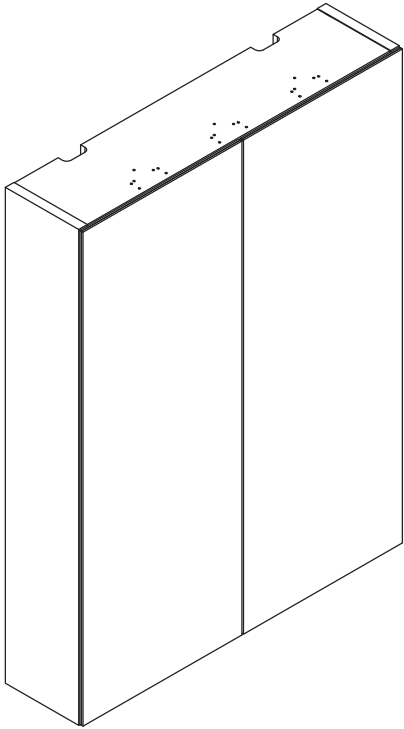
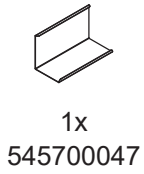
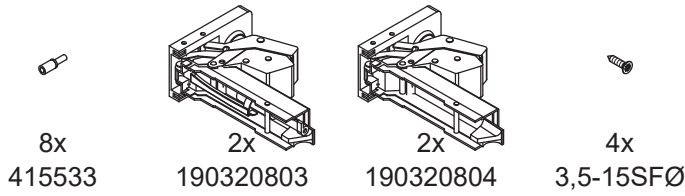
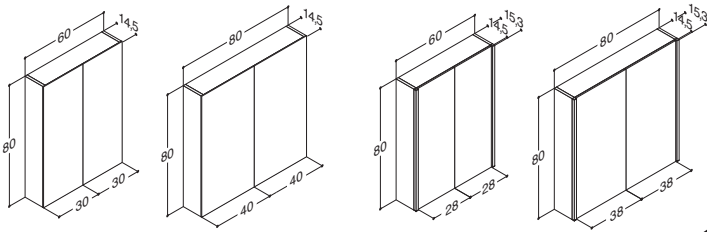




DANSANI
DANISH BATHROOM DESIGN





6x
5-500



6x
5,0-60SU



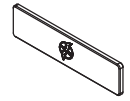
6x
390010067



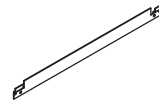
4x
190320805



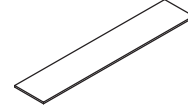
2x
19500000



1x
520800100



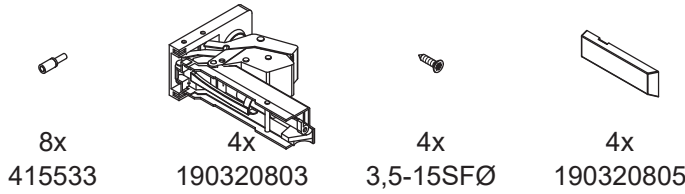
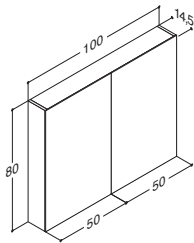
1x
5467x0000



2x
5228x1100



1x
190040310



8x
415533

4x
190320803

4x
3,5-15SFØ

4x
190320805



6x
5-500



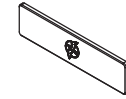
6x
5,0-60SU



6x
390010067



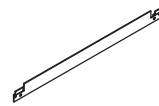
2x
19500000



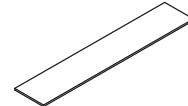
1x
520800100



1x
545700047



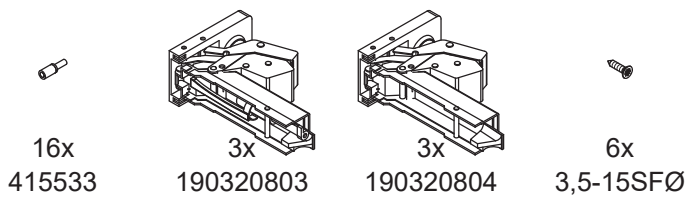
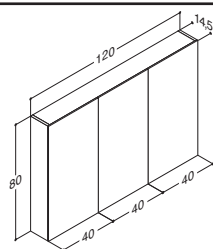
1x
5467x0000



2x
522911100



1x
190040310



16x
415533

3x
190320803

3x
190320804

6x
3,5-15SFØ



6x
5-500



6x
5,0-60SU



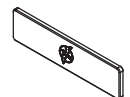
6x
390010067



6x
190320805



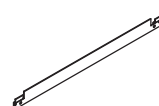
3x
19500000



1x
520800100



1x
545700047



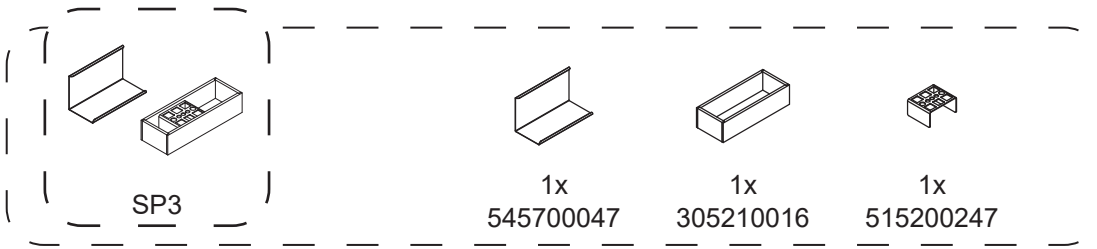
1x
5467x0000



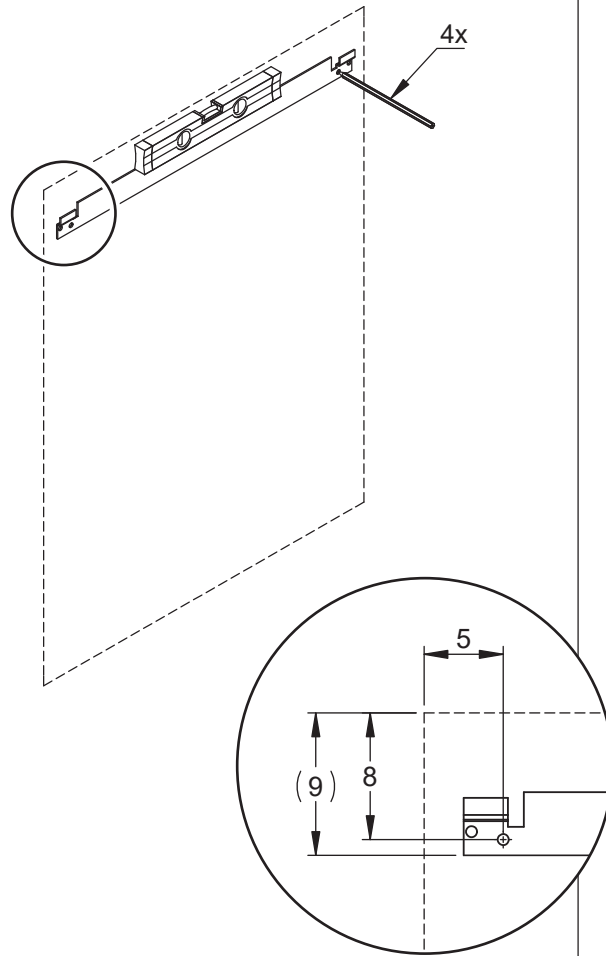
4x
5228xx100




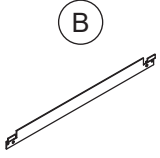
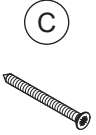
1x
190040310

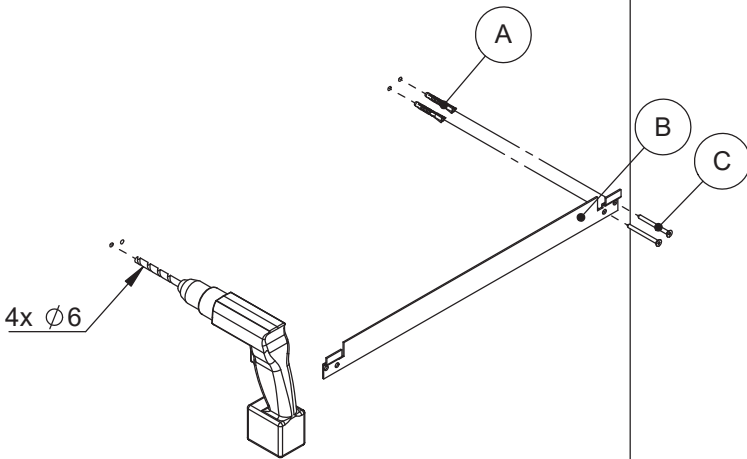


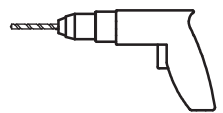



1



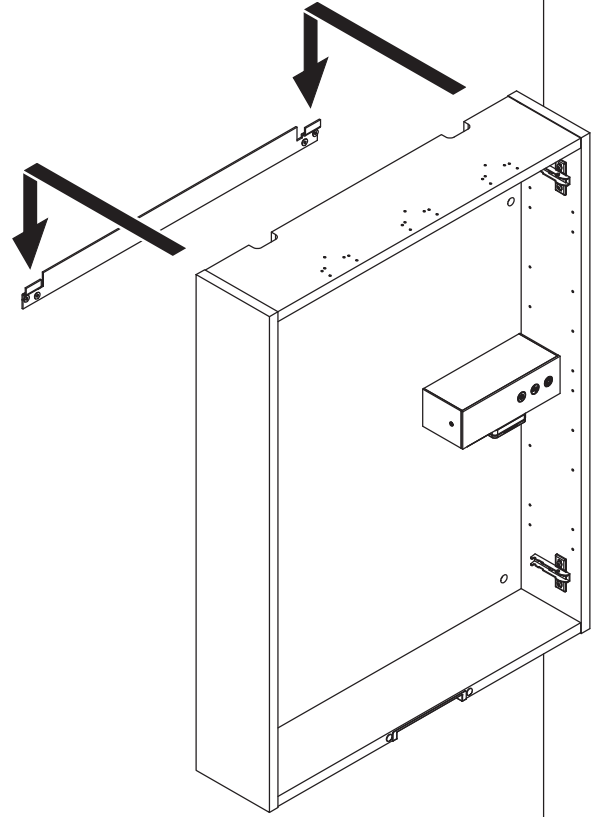
2

		
4x 5-500	1x 5467x0000	4x 5,0-60SU

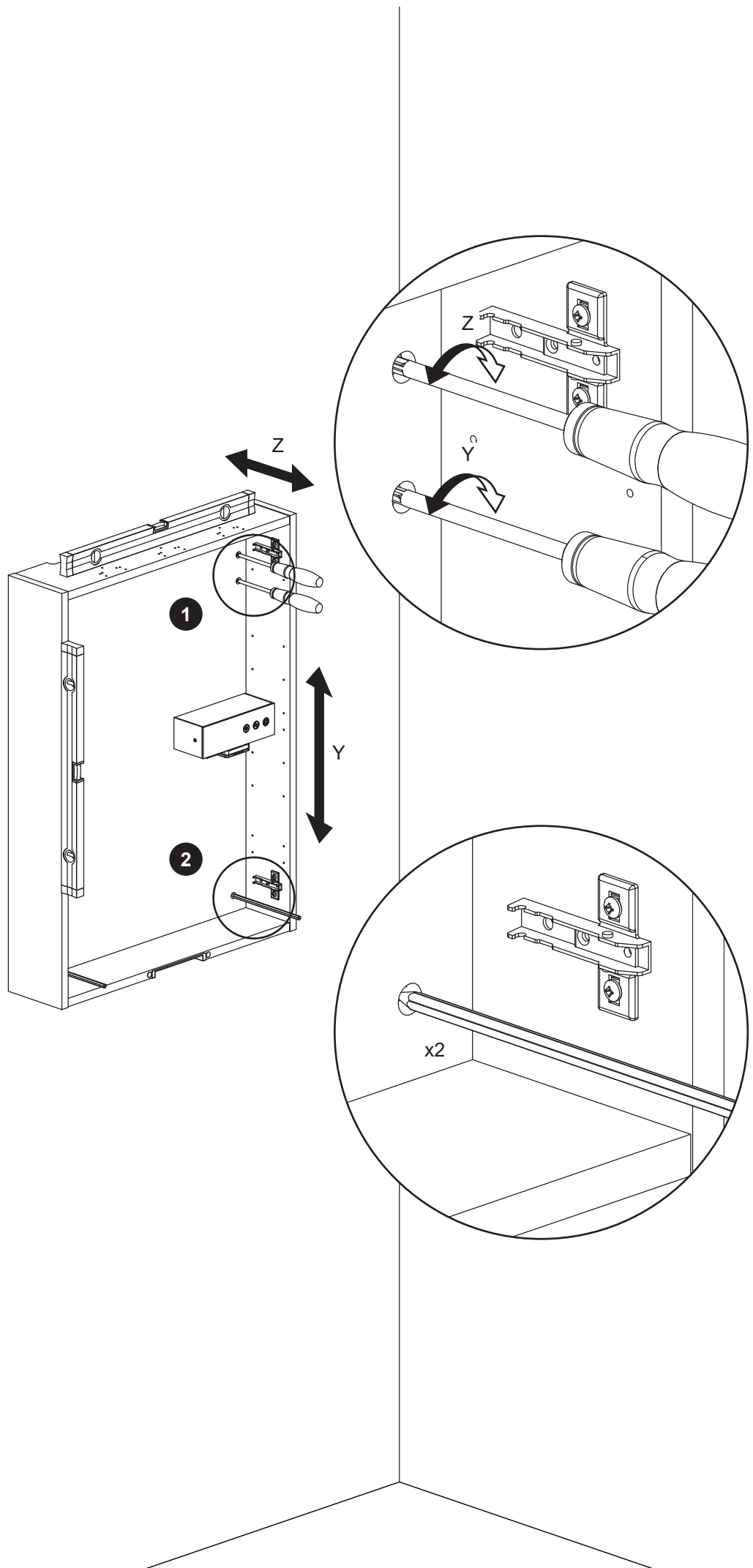


1	
2	 SILICONE
3	 A
4	 SILICONE

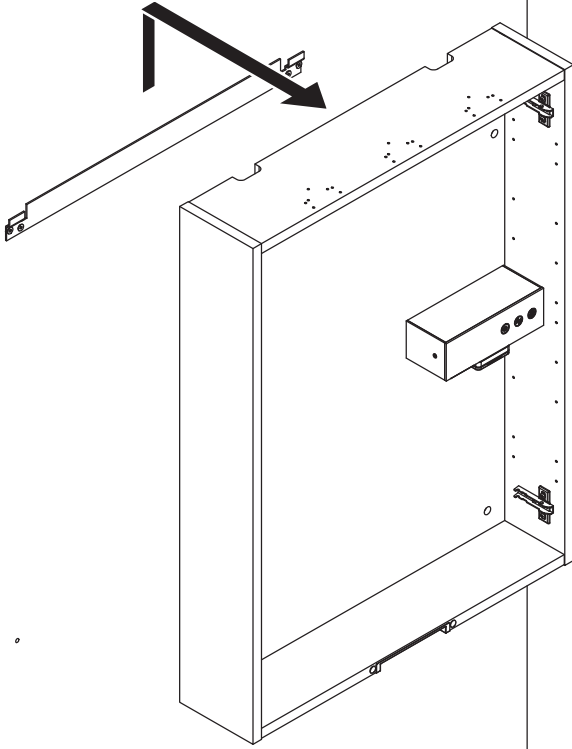
3



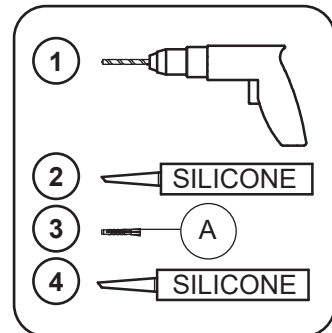
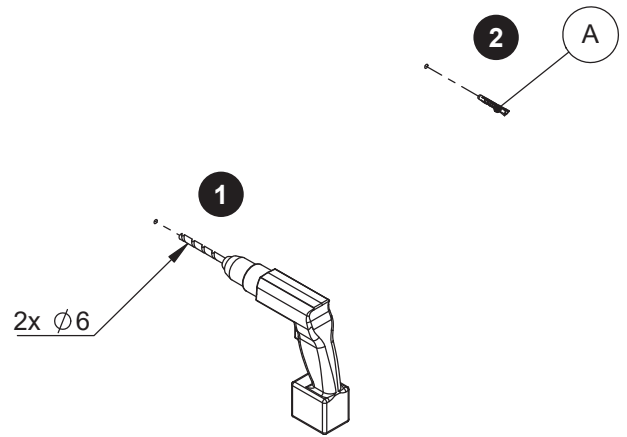
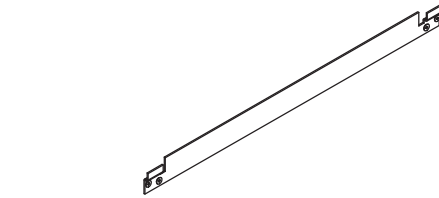
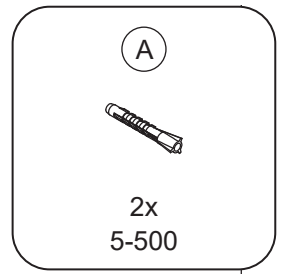
4



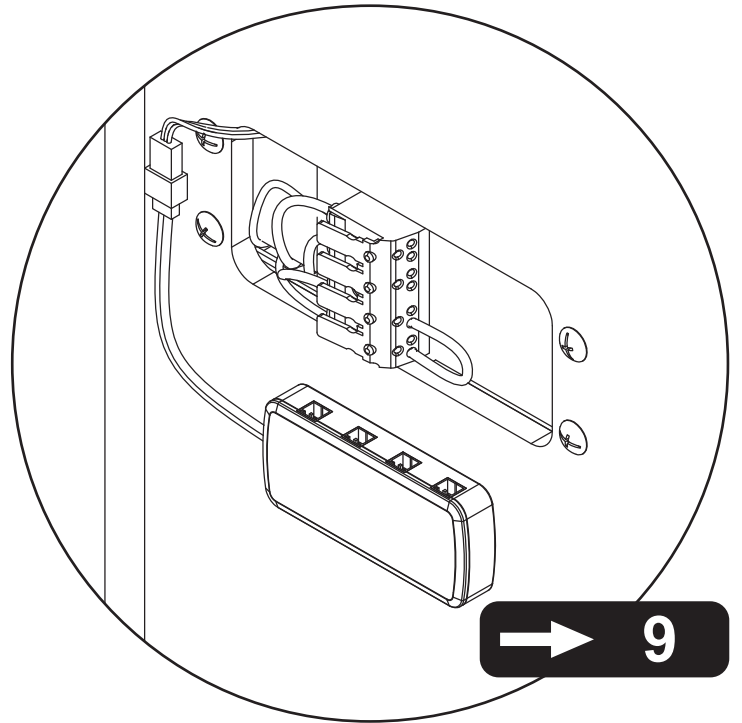
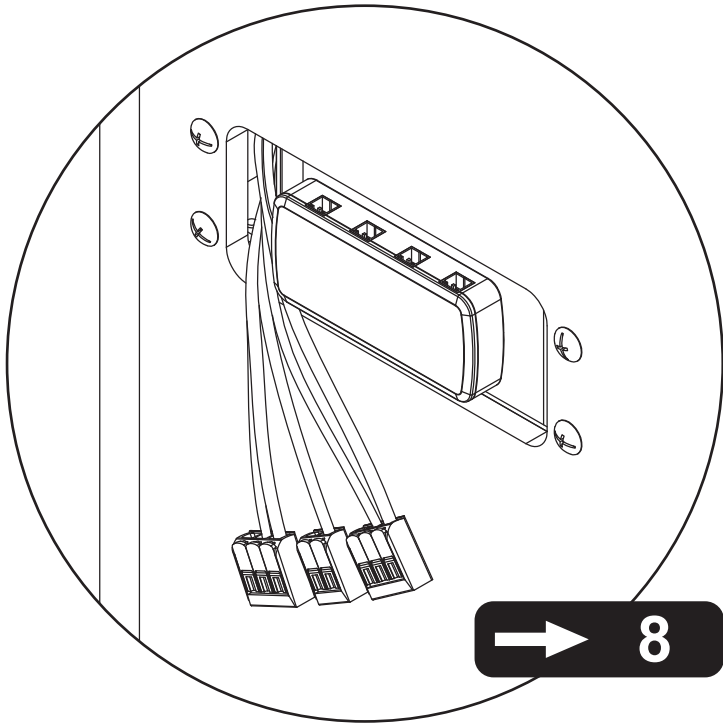
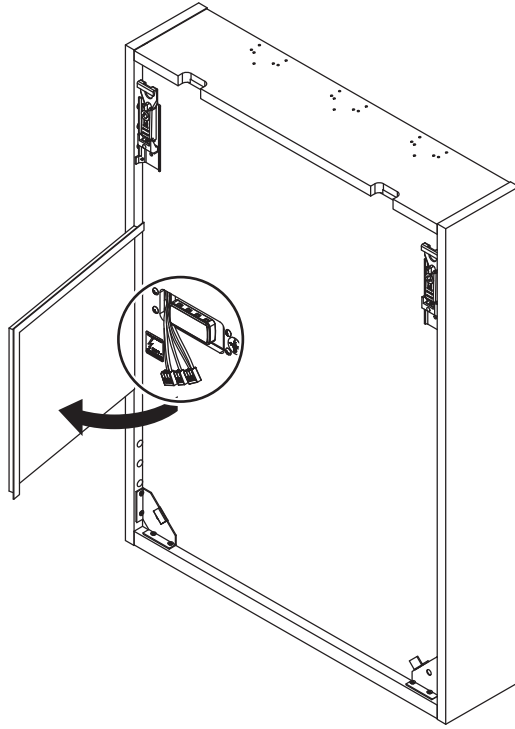
5

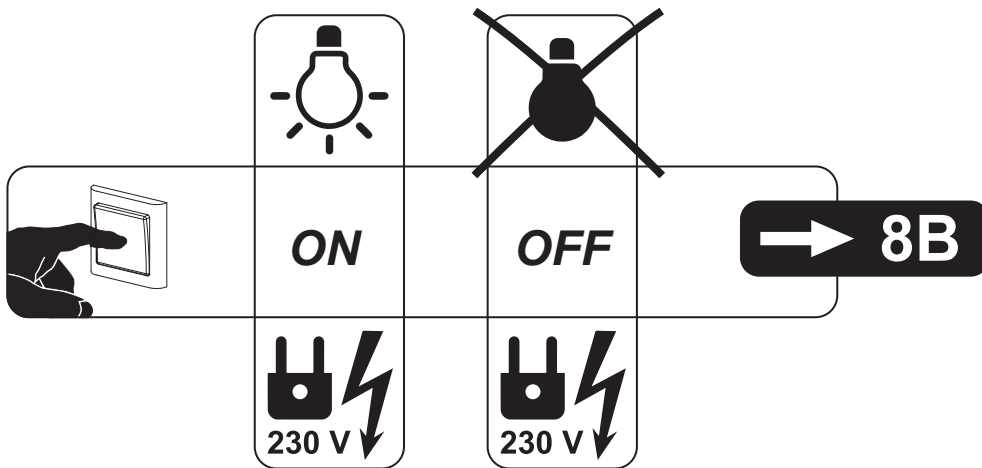
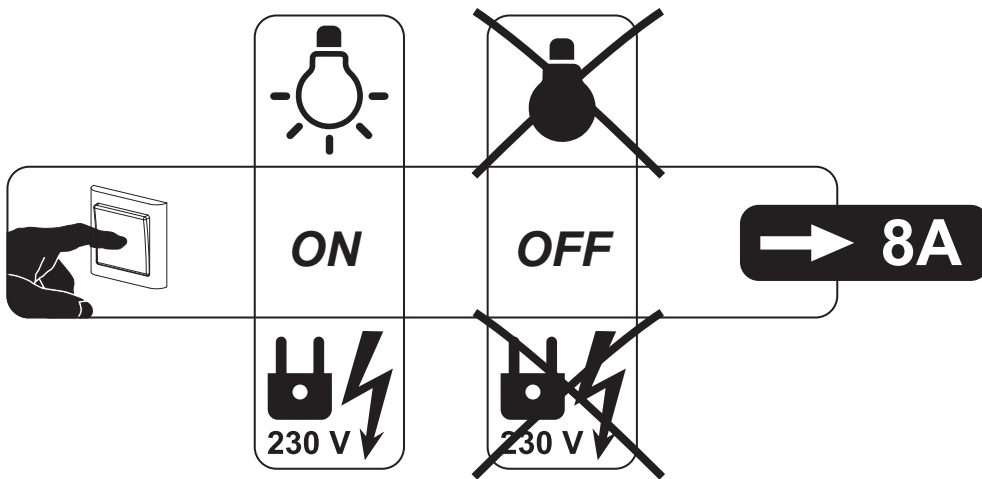
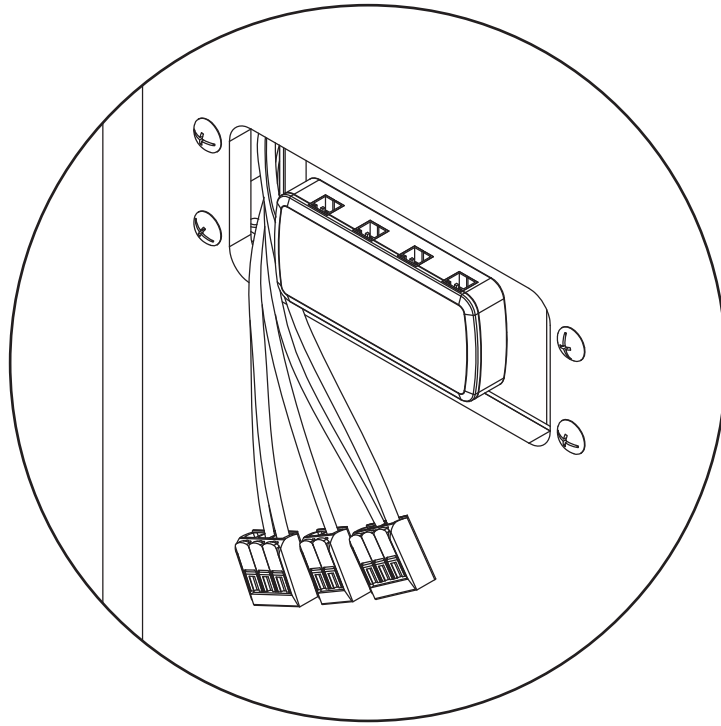


6

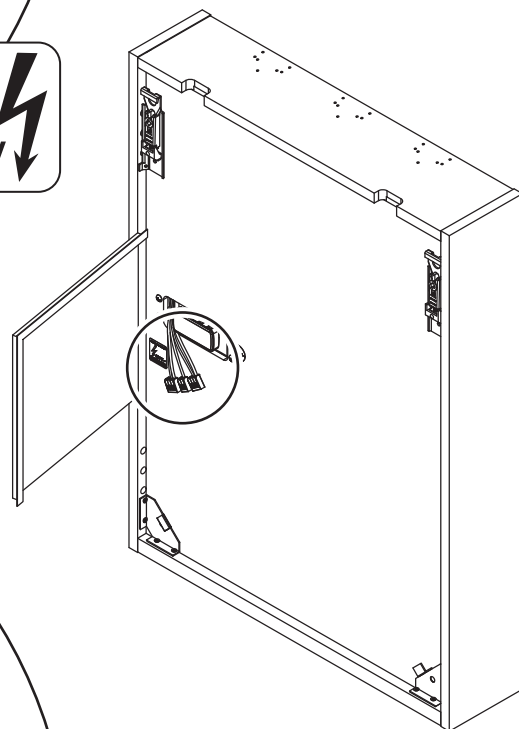
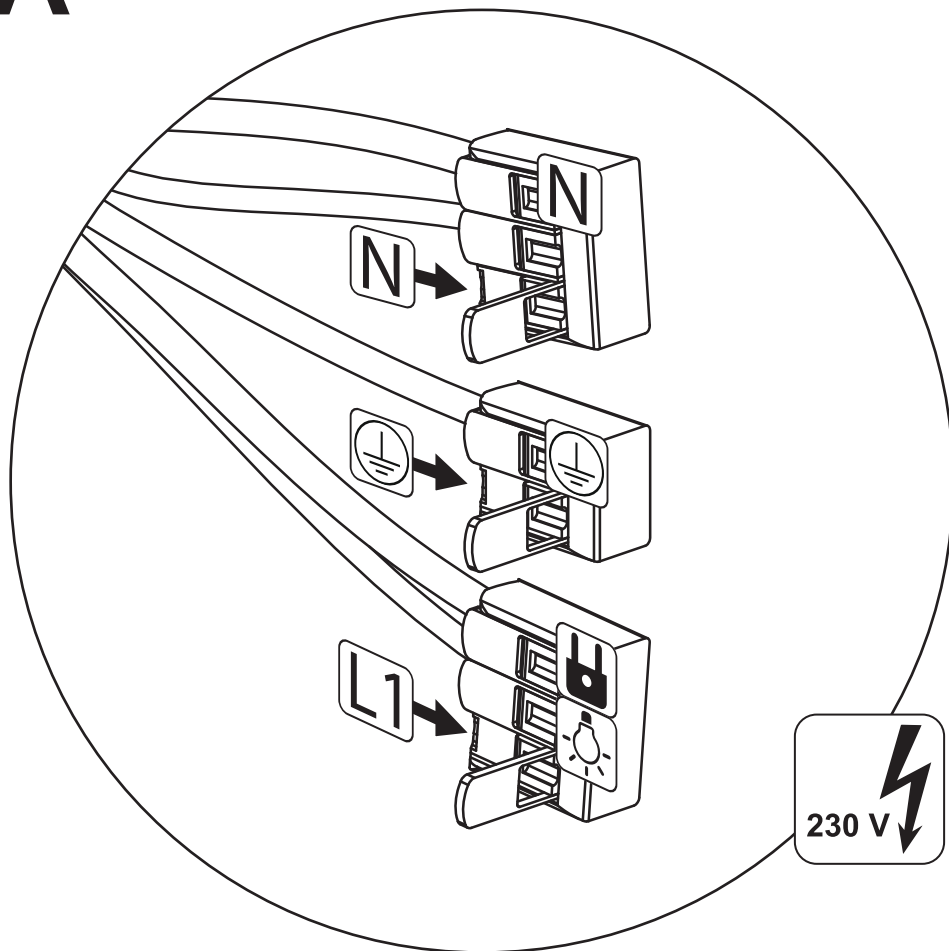


7

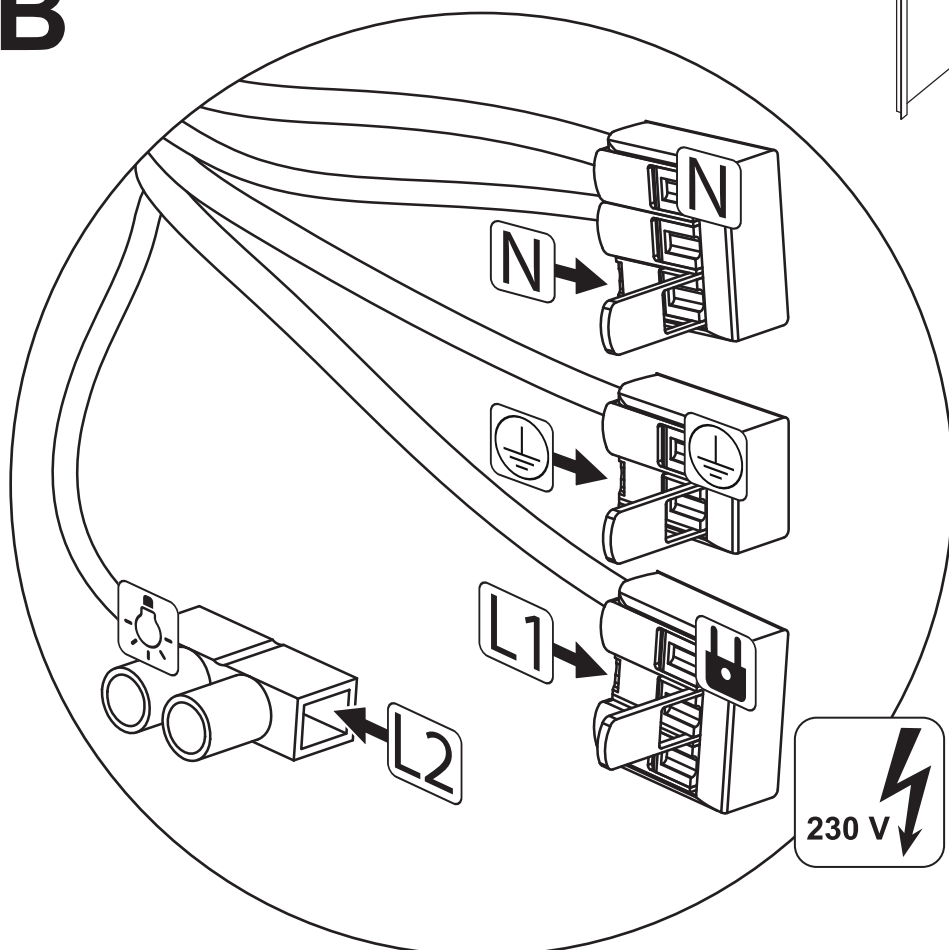


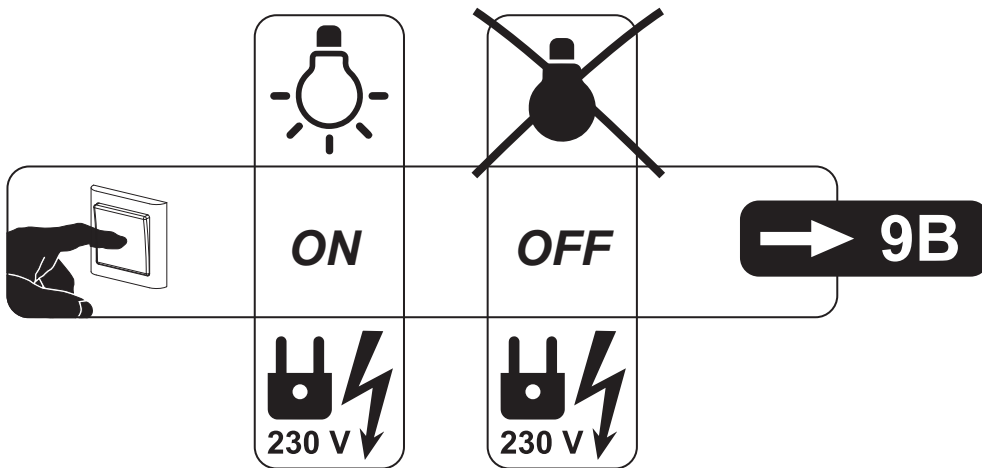
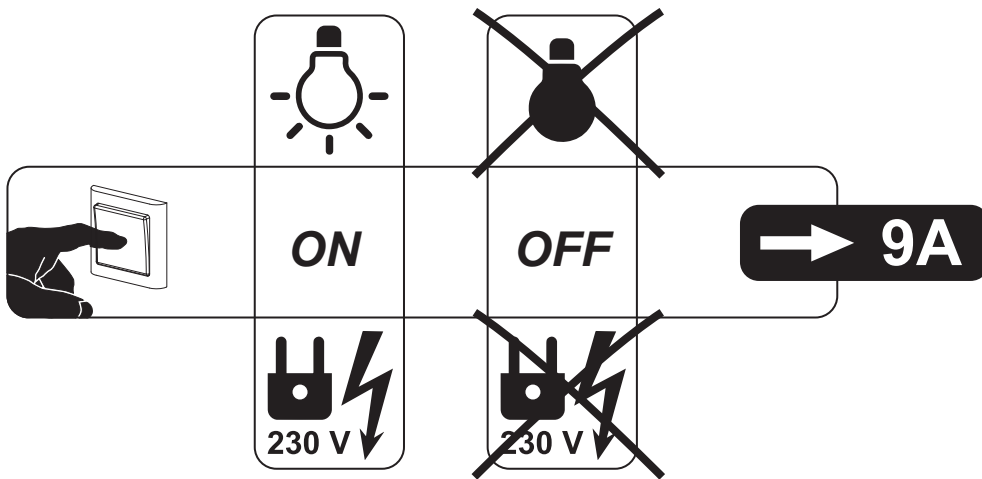
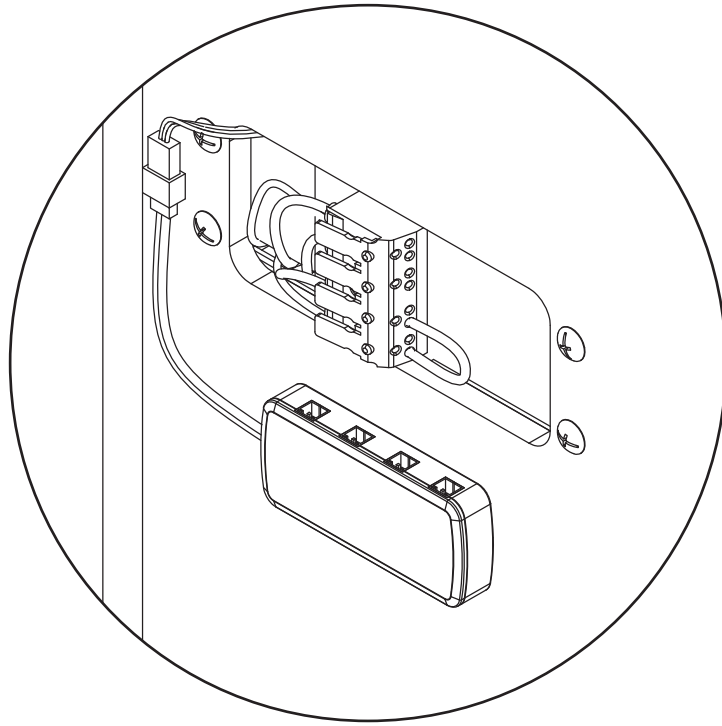


8A

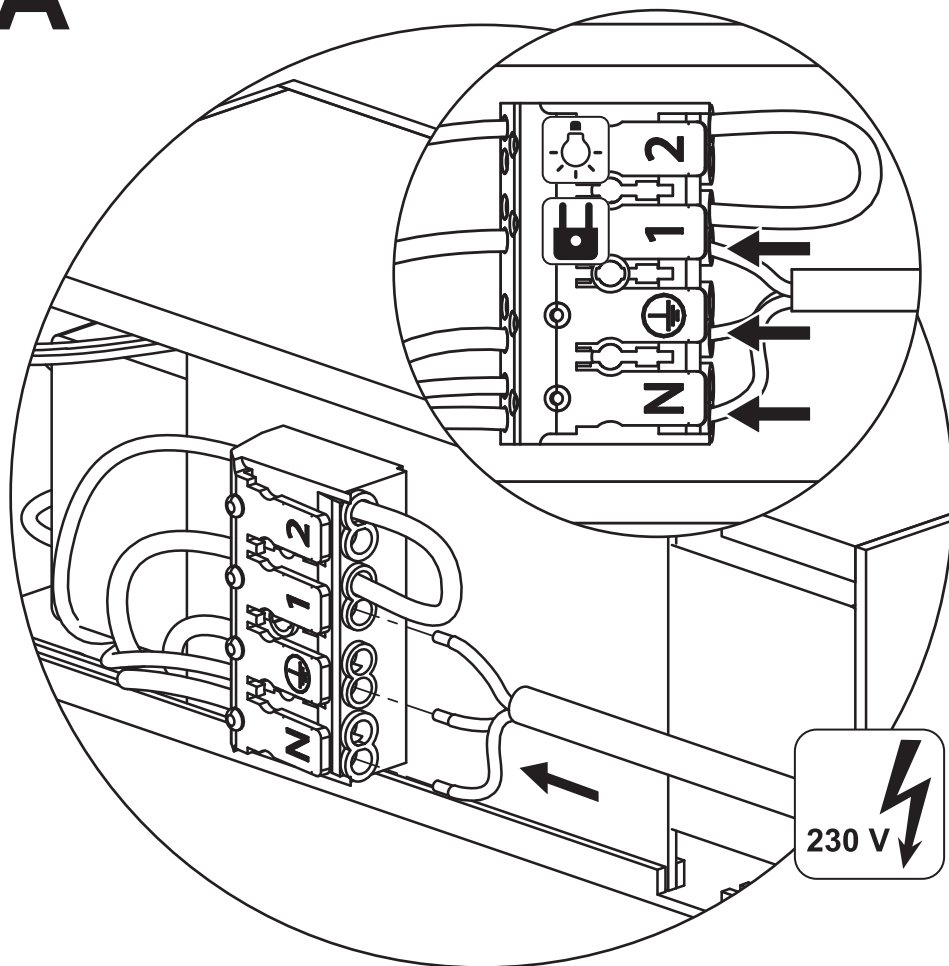


8B

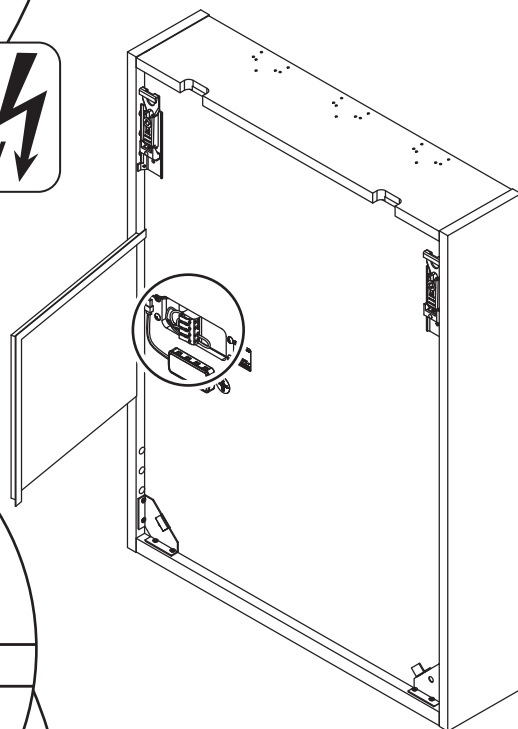
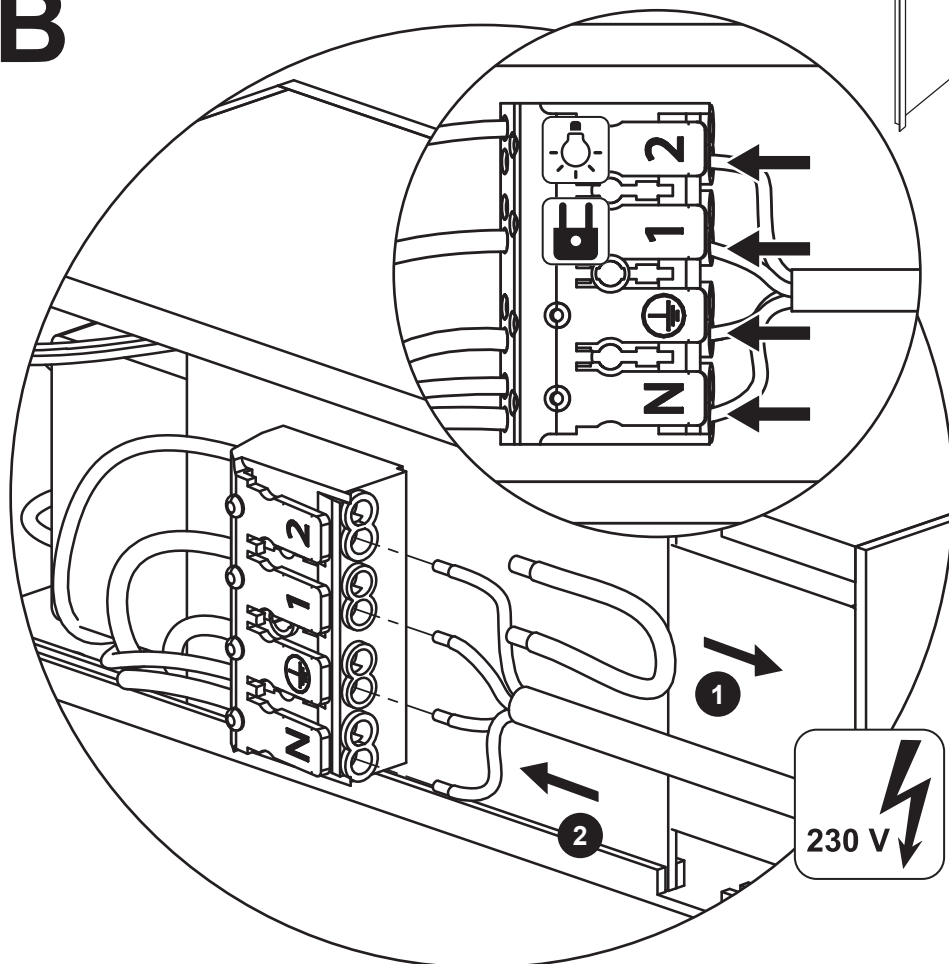


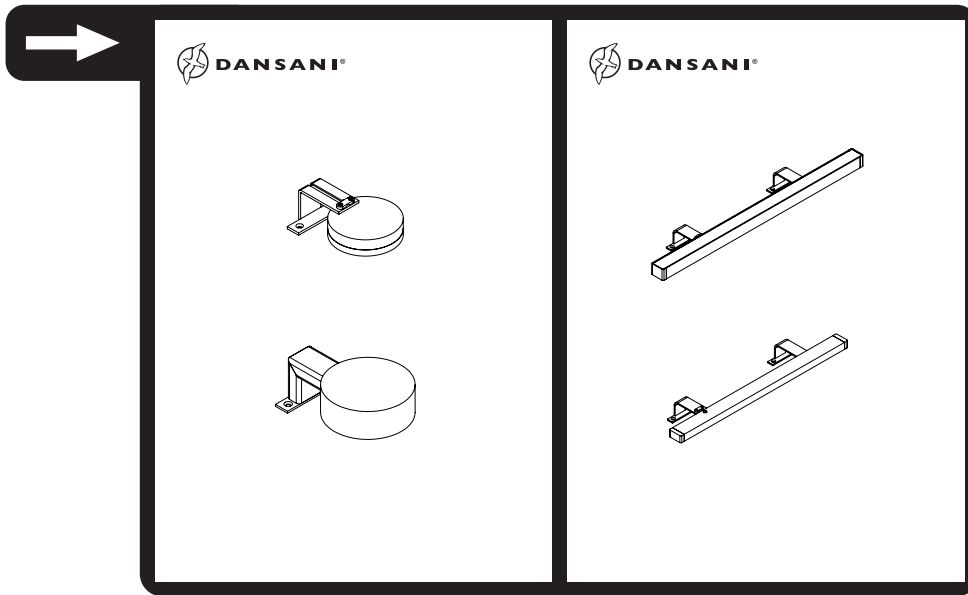


9A

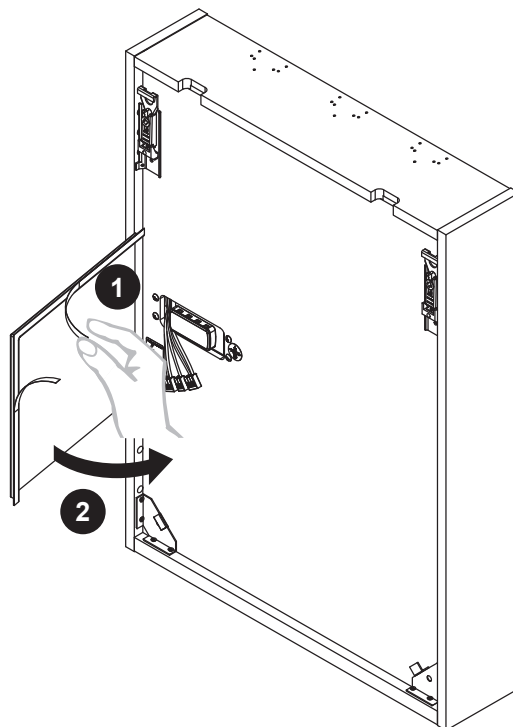


9B

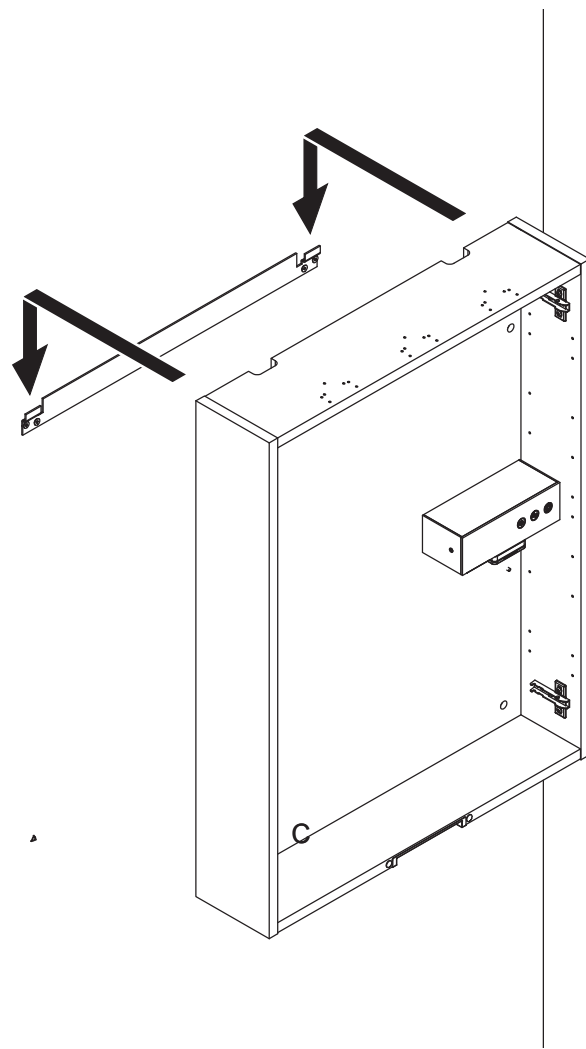




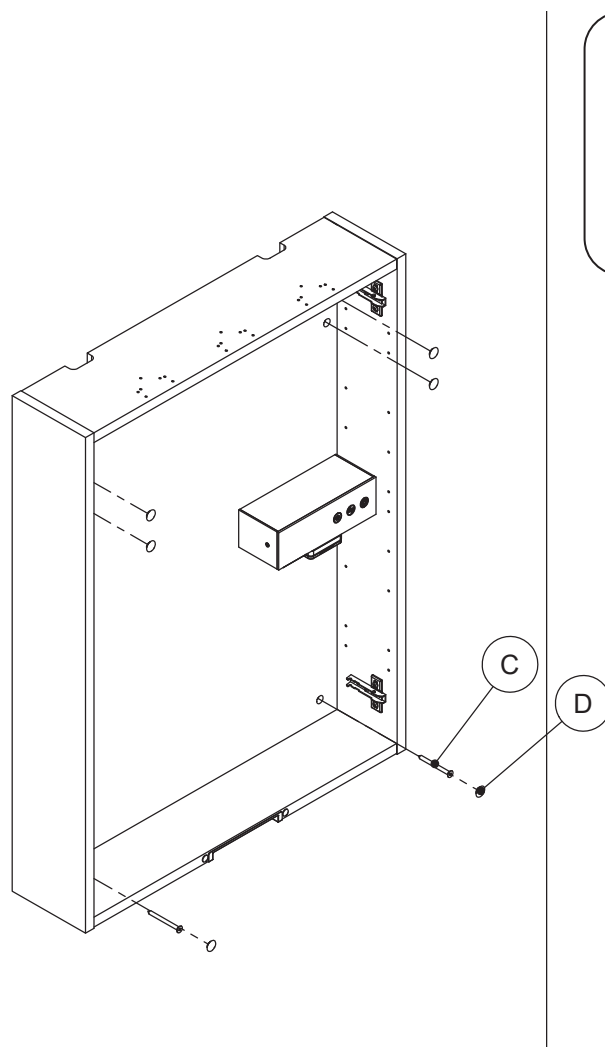
10










11

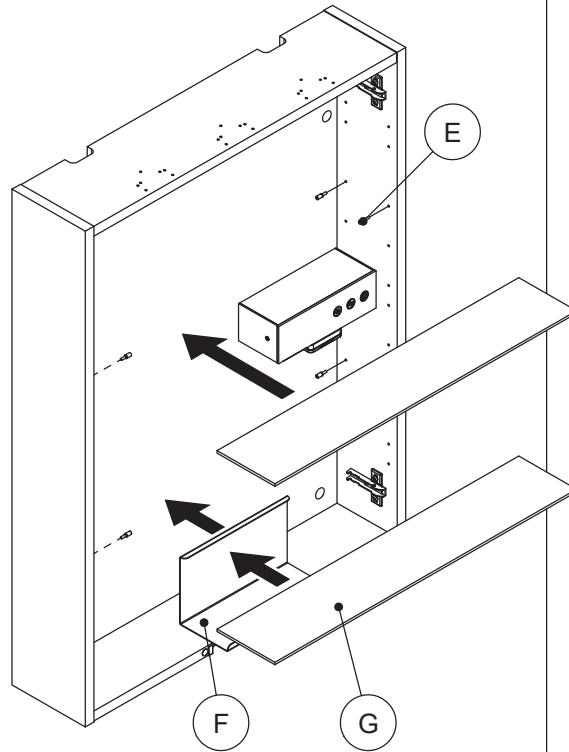


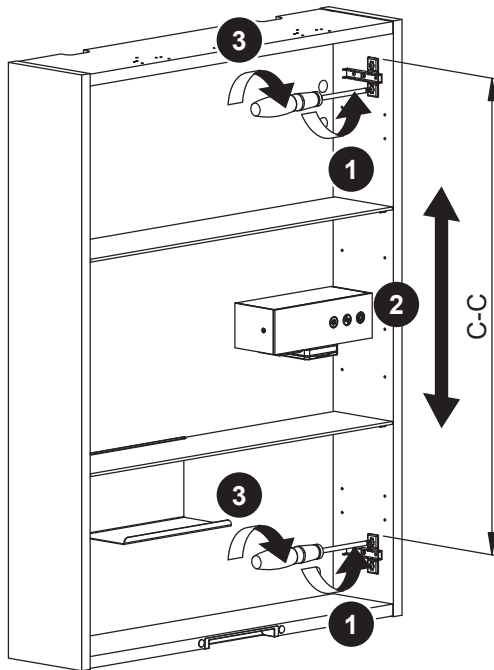
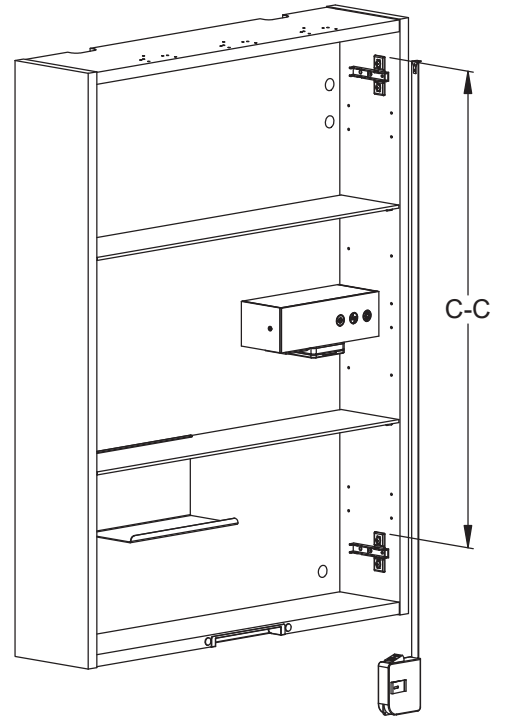
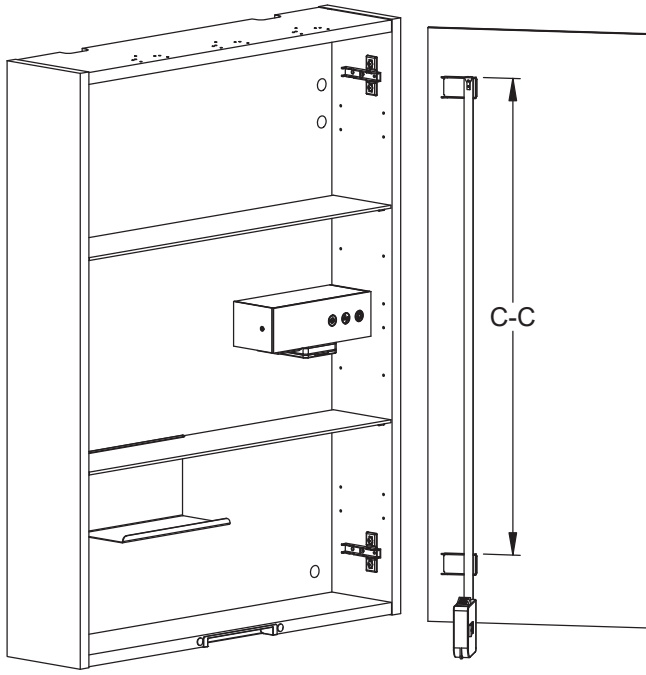
12

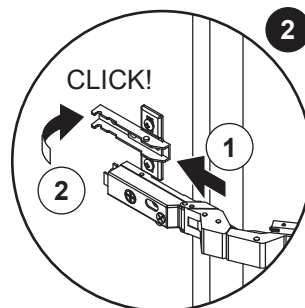
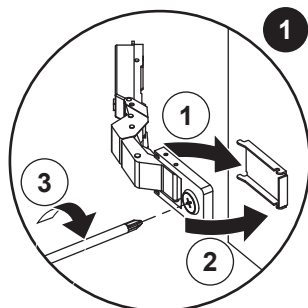
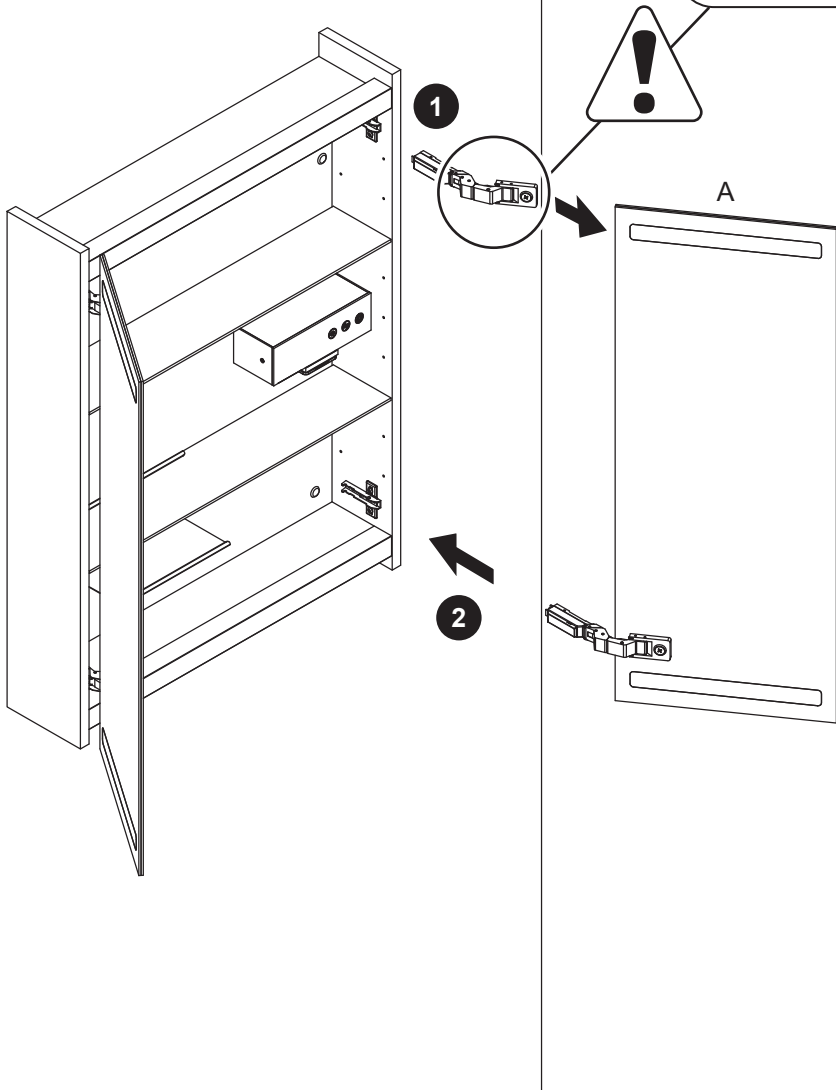
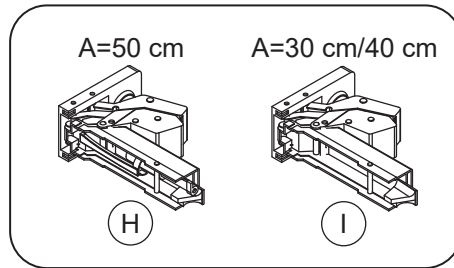
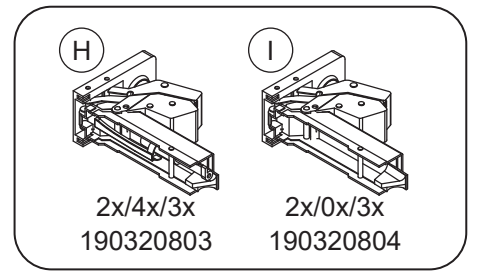


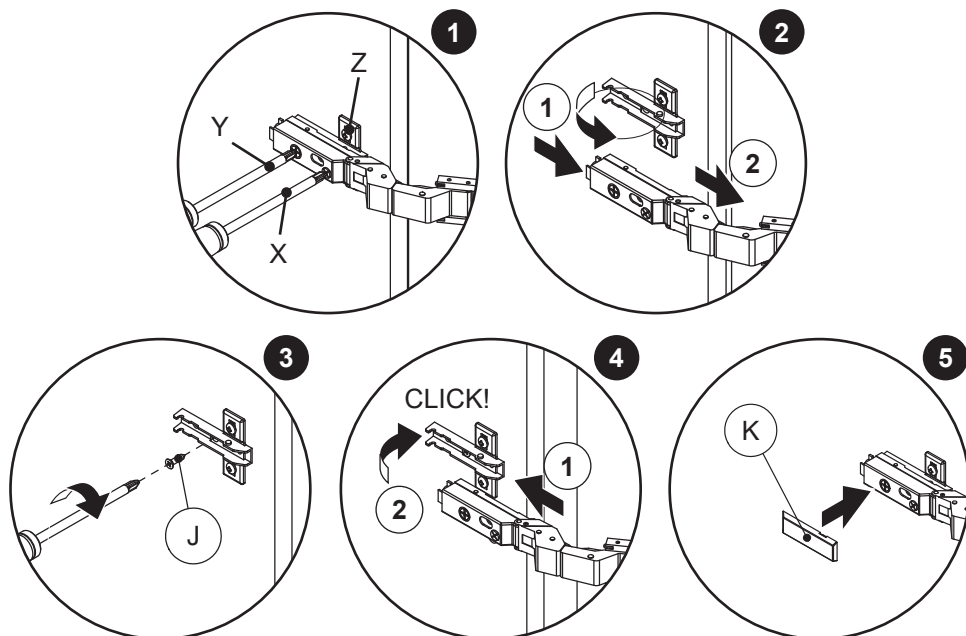
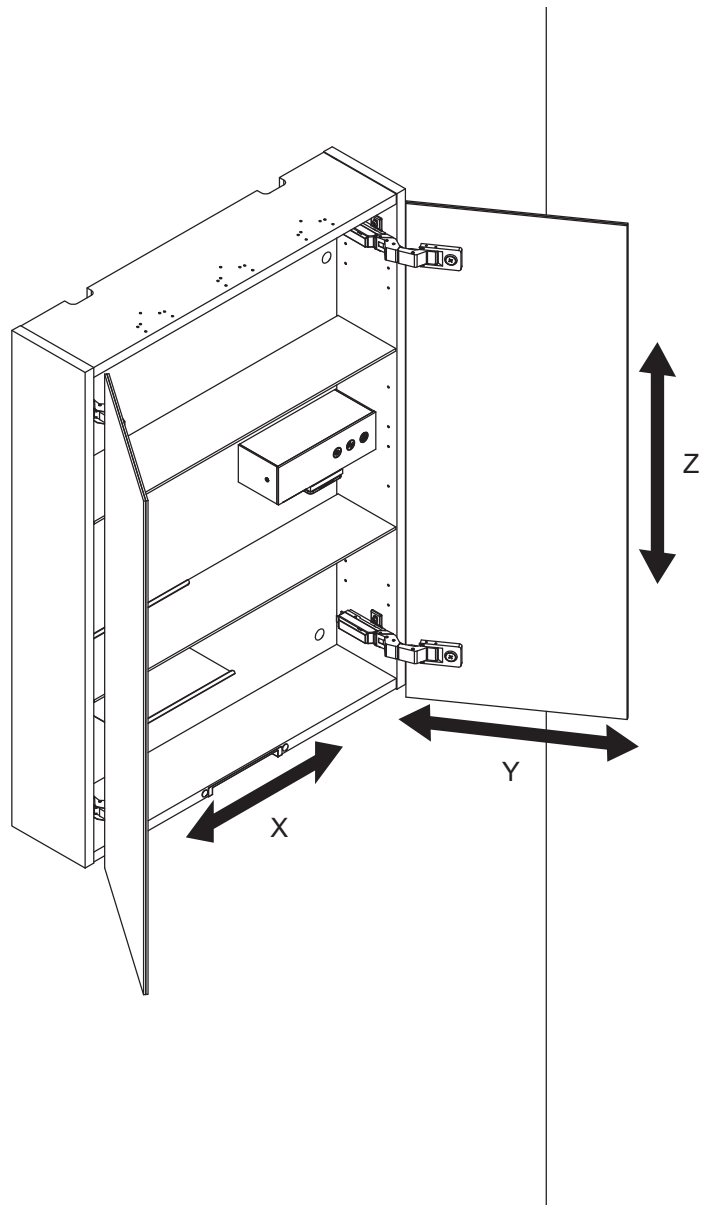
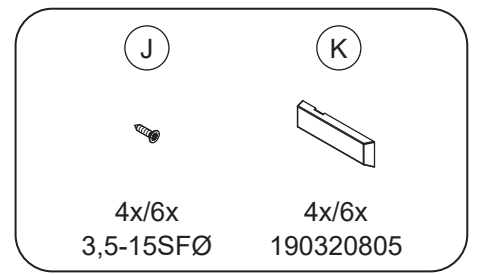
	
	
2x 5,0-60SU	6x 390010067

		
8x/16x 415533	2x/4x 5228xx100	1x/2x 545700047

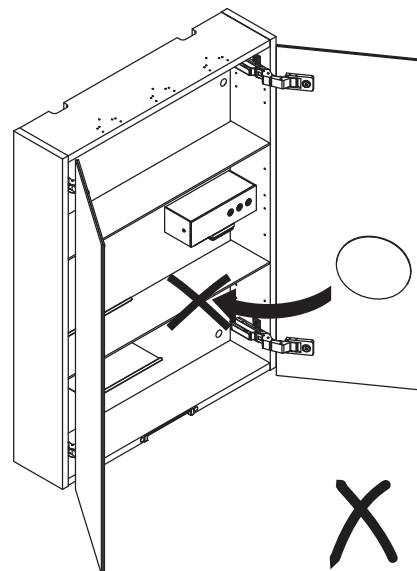
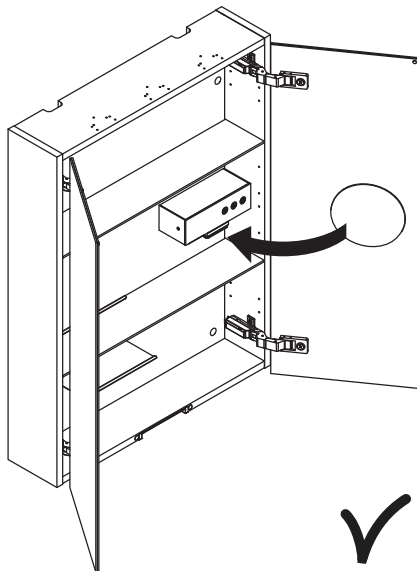
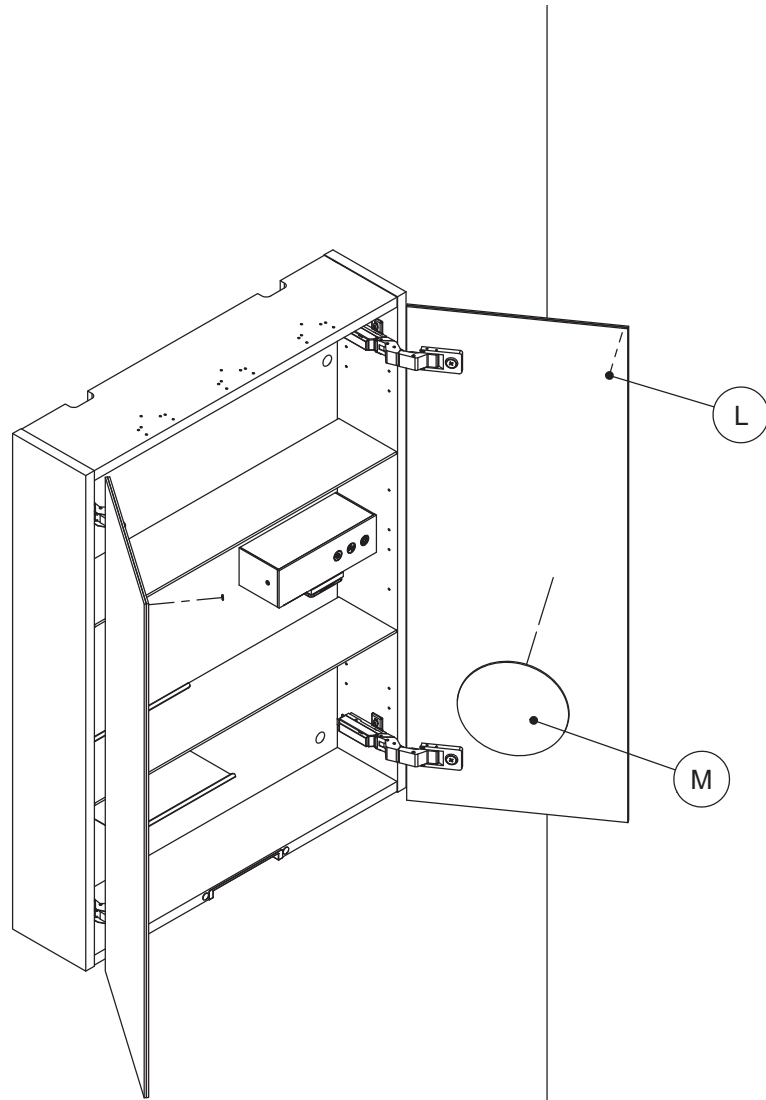








(L)	(M)
o	o
2x/3x 19500000	1x 190040310



17

