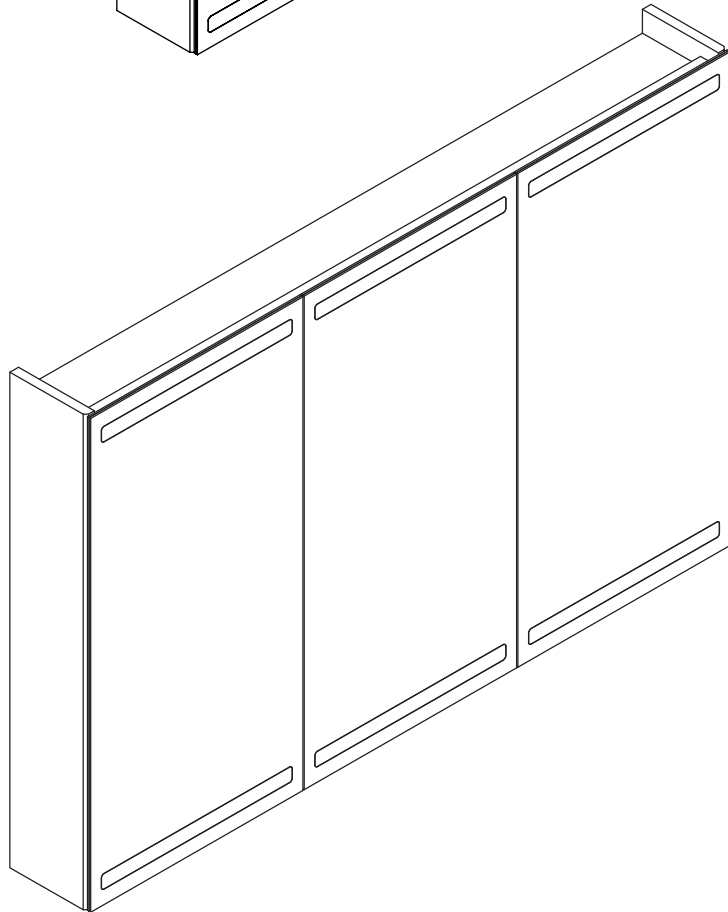
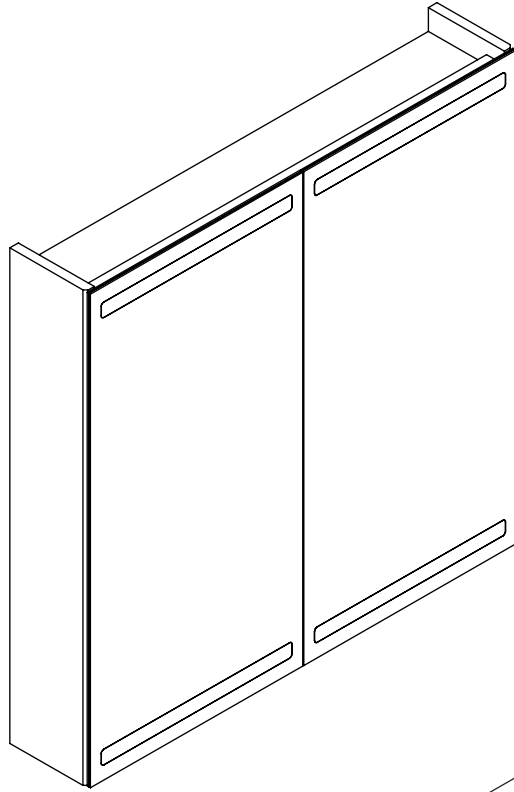
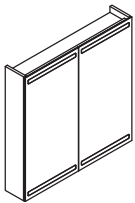




**DANSANI**  
DANISH BATHROOM DESIGN



S846  
S848



6x  
5-500



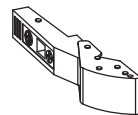
6x  
5,0-60SU



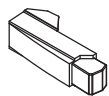
6x  
640001242



28x/40x  
415533



4x  
190040240



2x  
190040631



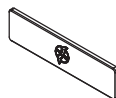
2x  
190040632



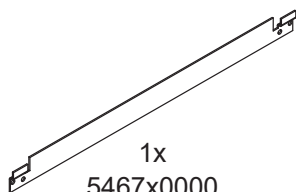
2x  
390010110



4x  
19500000



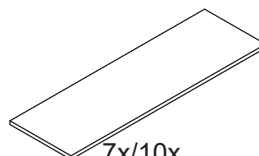
1x  
520800100



1x  
5467x0000



1x  
545700047

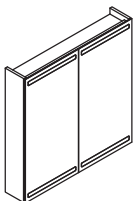


7x/10x  
6201x0100



1x  
190040310

S840



6x  
5-500



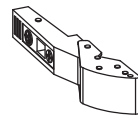
6x  
5,0-60SU



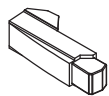
6x  
640001242



28x/40x  
415533



4x  
190040240



4x  
190040631



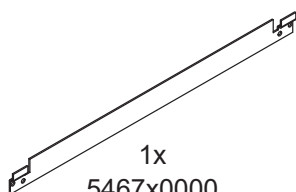
4x  
190040632



4x  
19500000



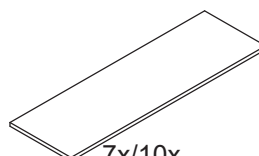
1x  
520800100



1x  
5467x0000



1x  
545700047

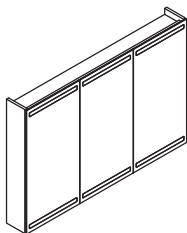


7x/10x  
6201x0100



1x  
190040310

S843



6x  
5-500



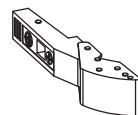
6x  
5,0-60SU



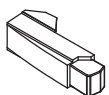
6x  
640001242



40x  
415533



6x  
190040240



3x  
190040631



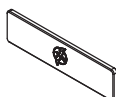
3x  
190040632



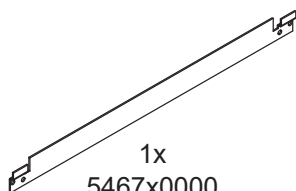
3x  
390010110



6x  
19500000



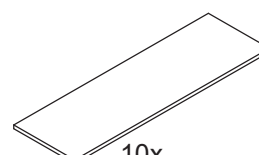
1x  
520800100



1x  
5467x0000



1x  
545700047

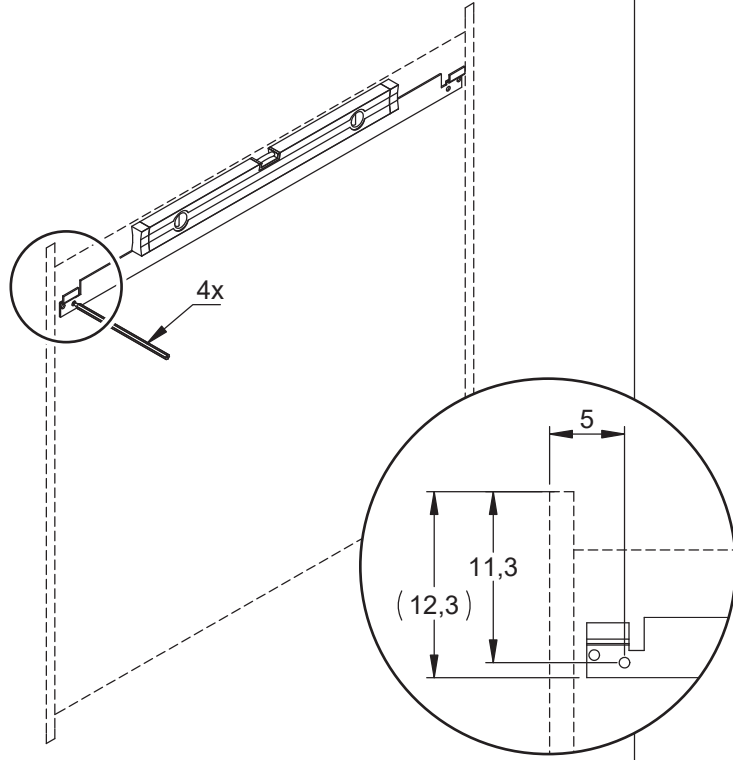


10x  
6201x0100

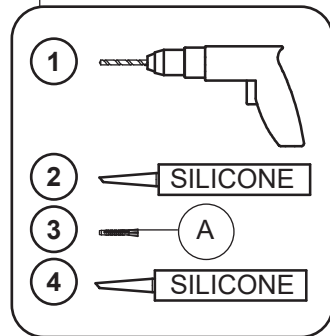
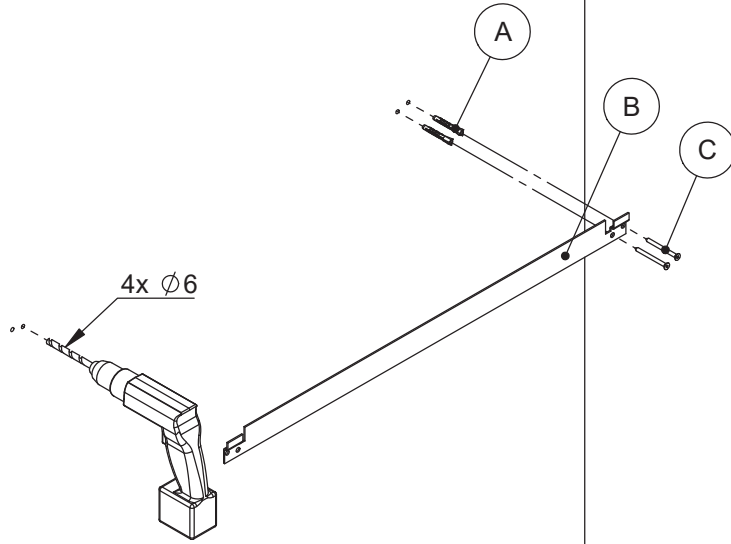
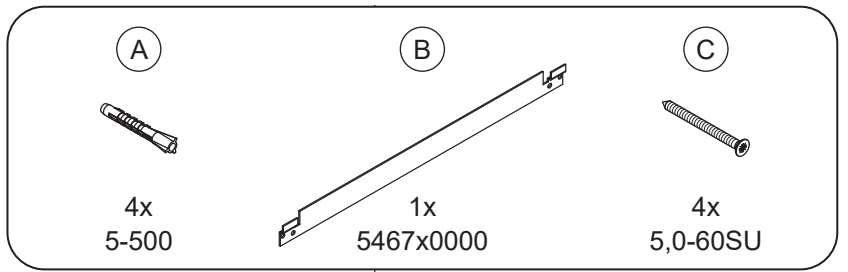


1x  
190040310

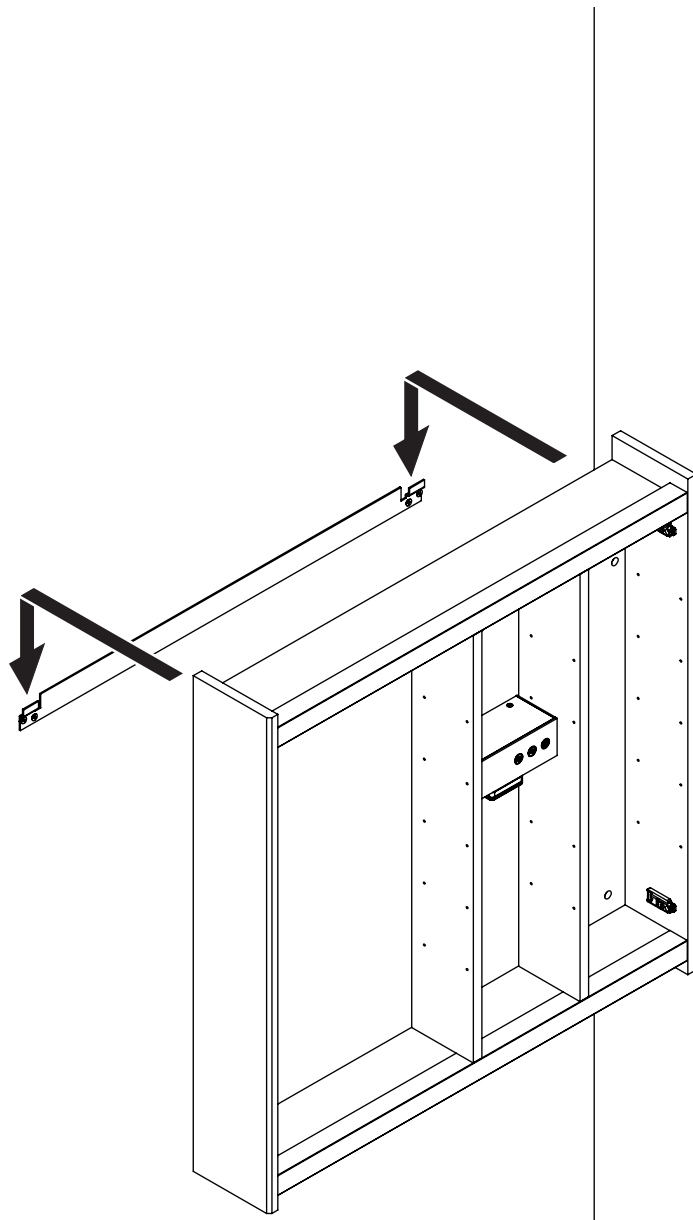
1



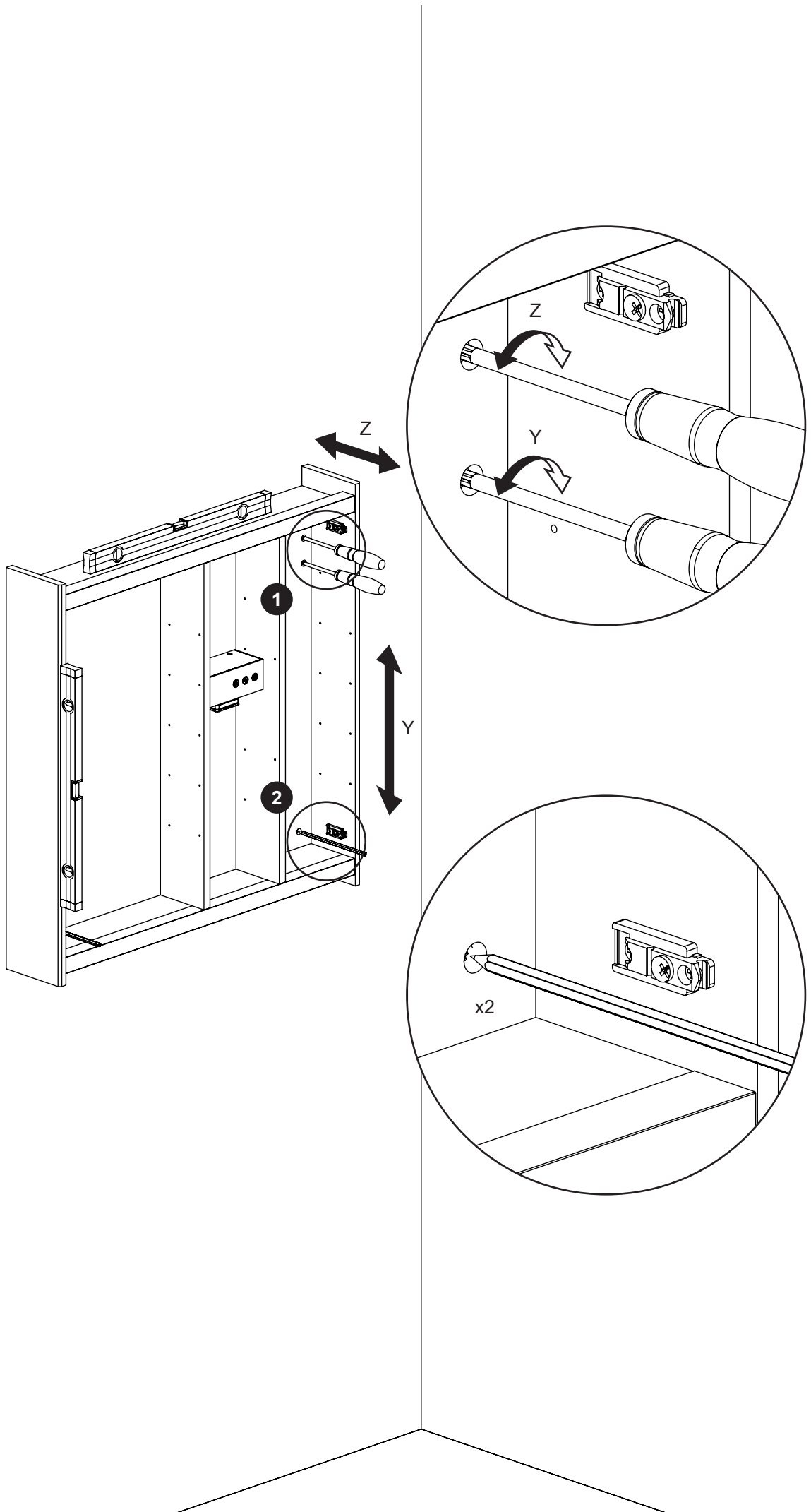
# 2



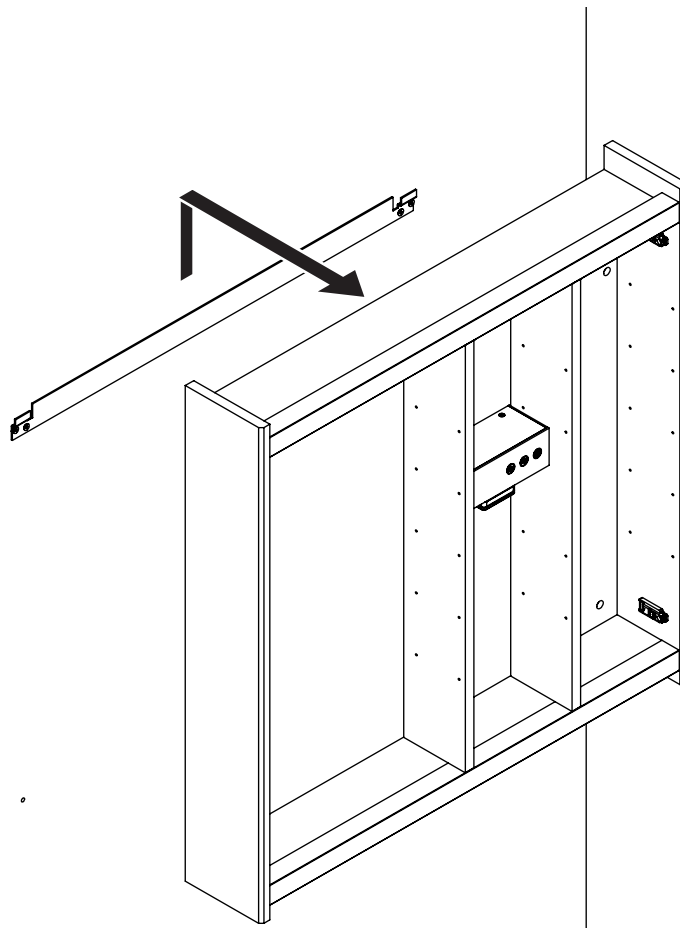
3



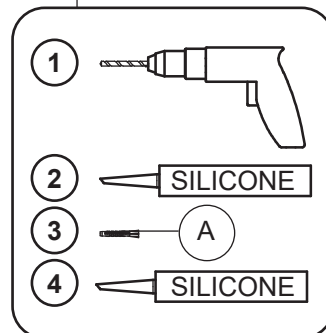
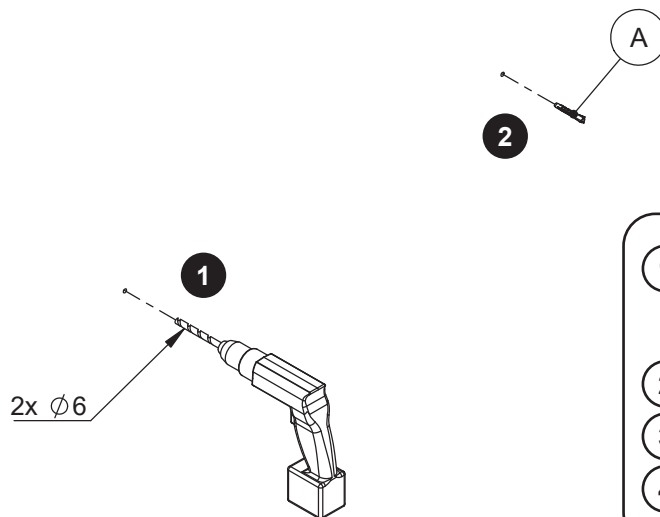
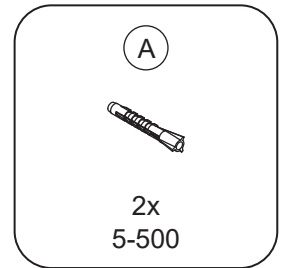
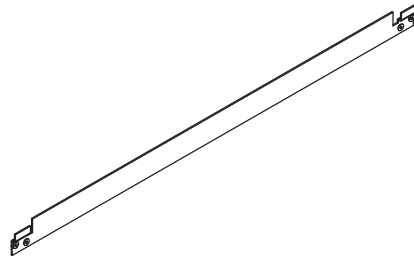
4



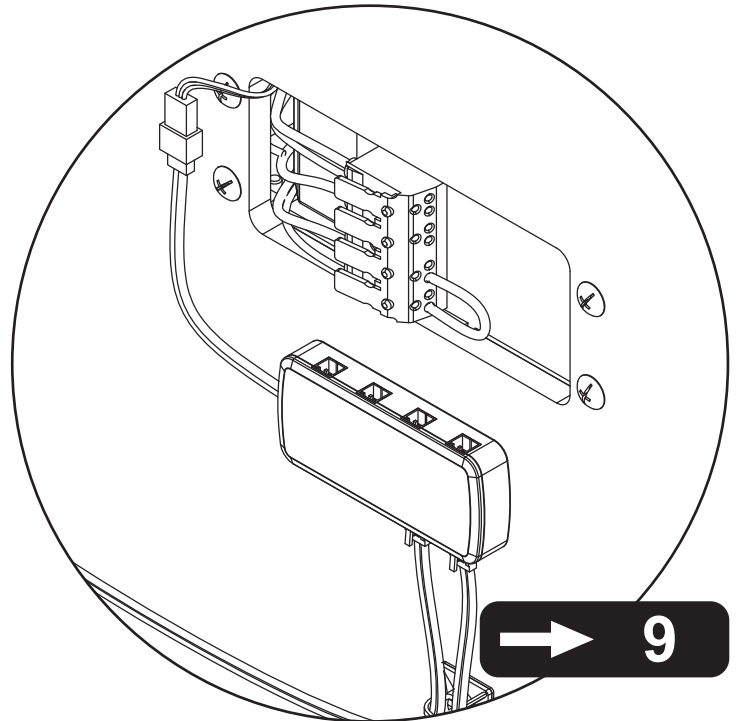
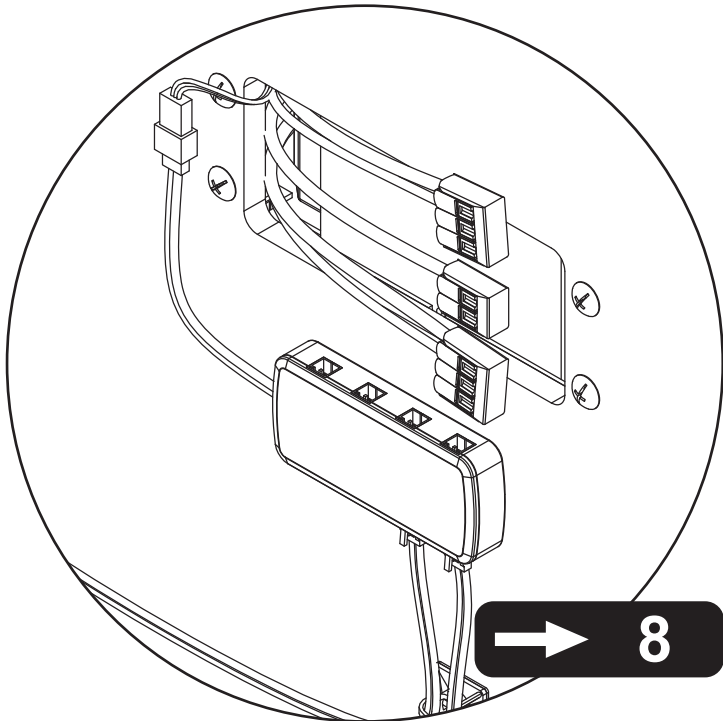
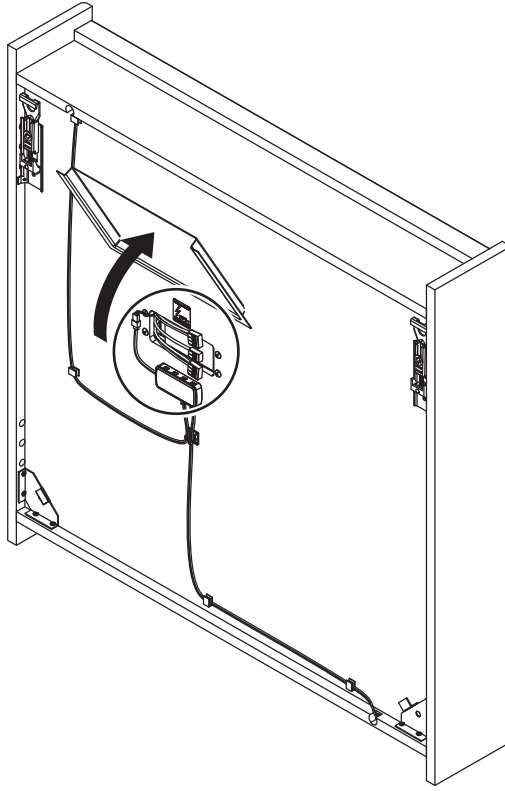
5



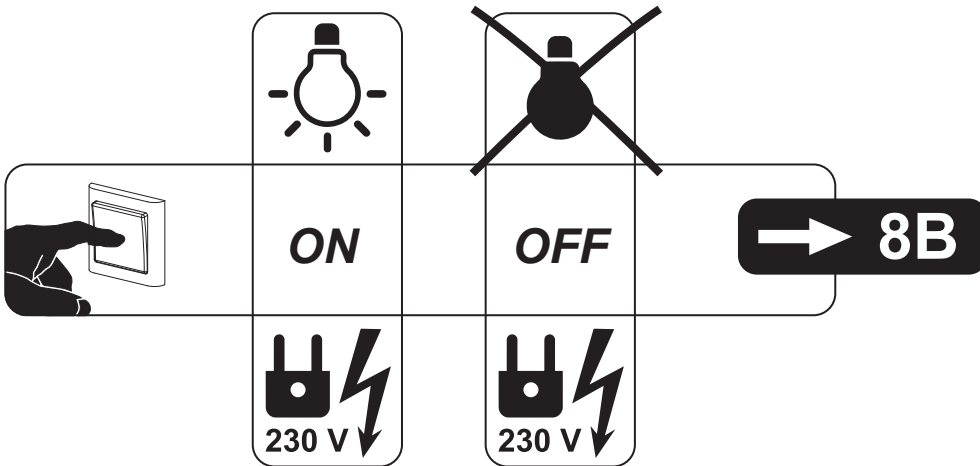
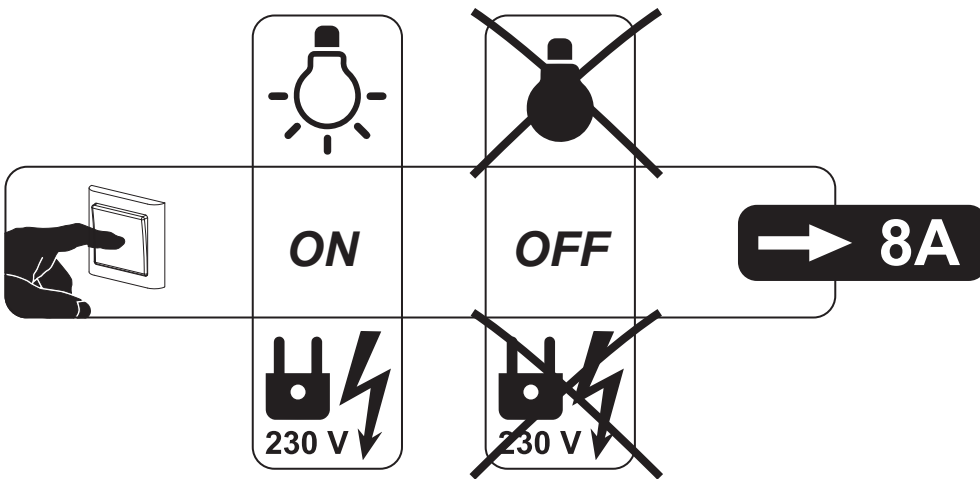
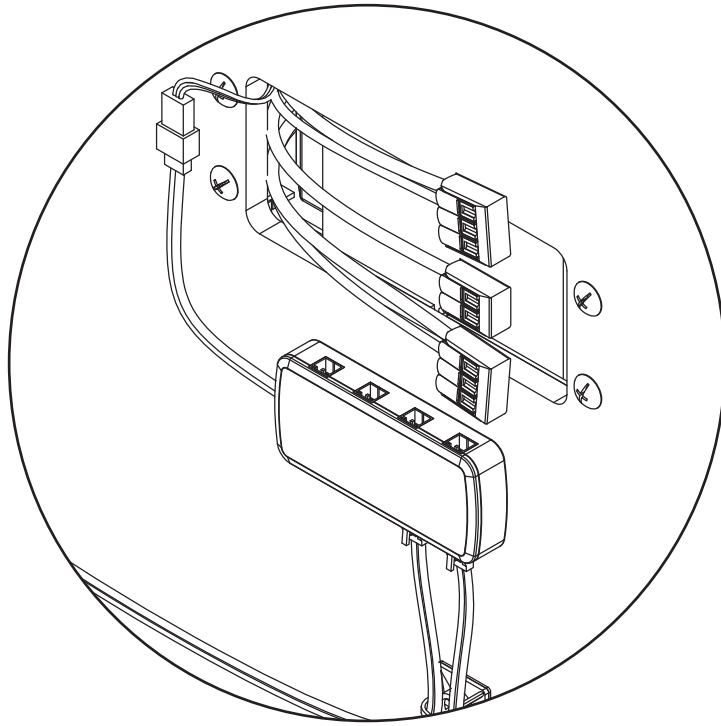
6



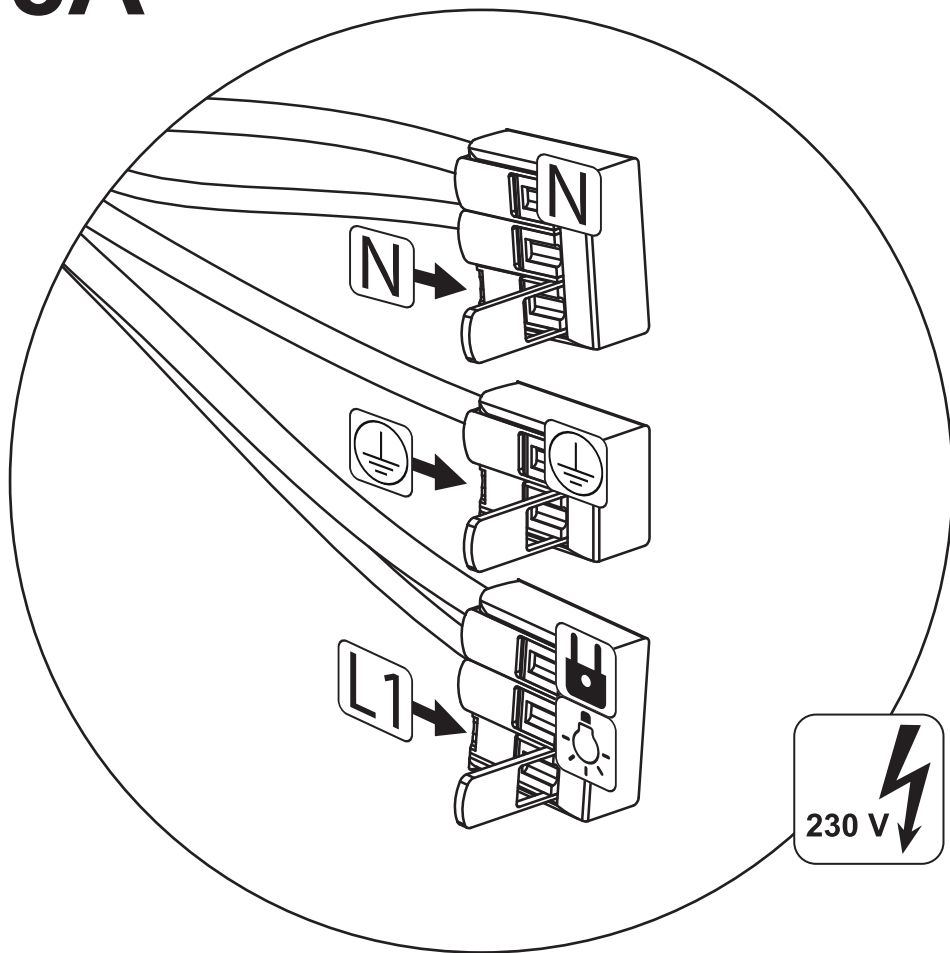
7



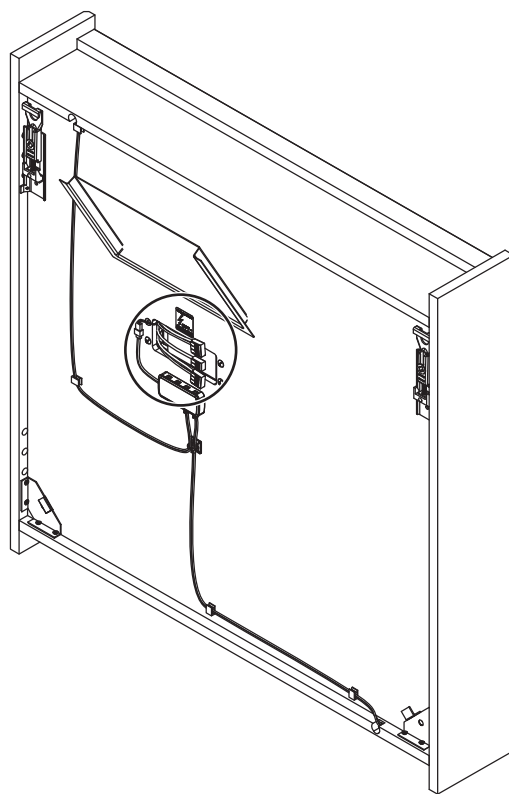
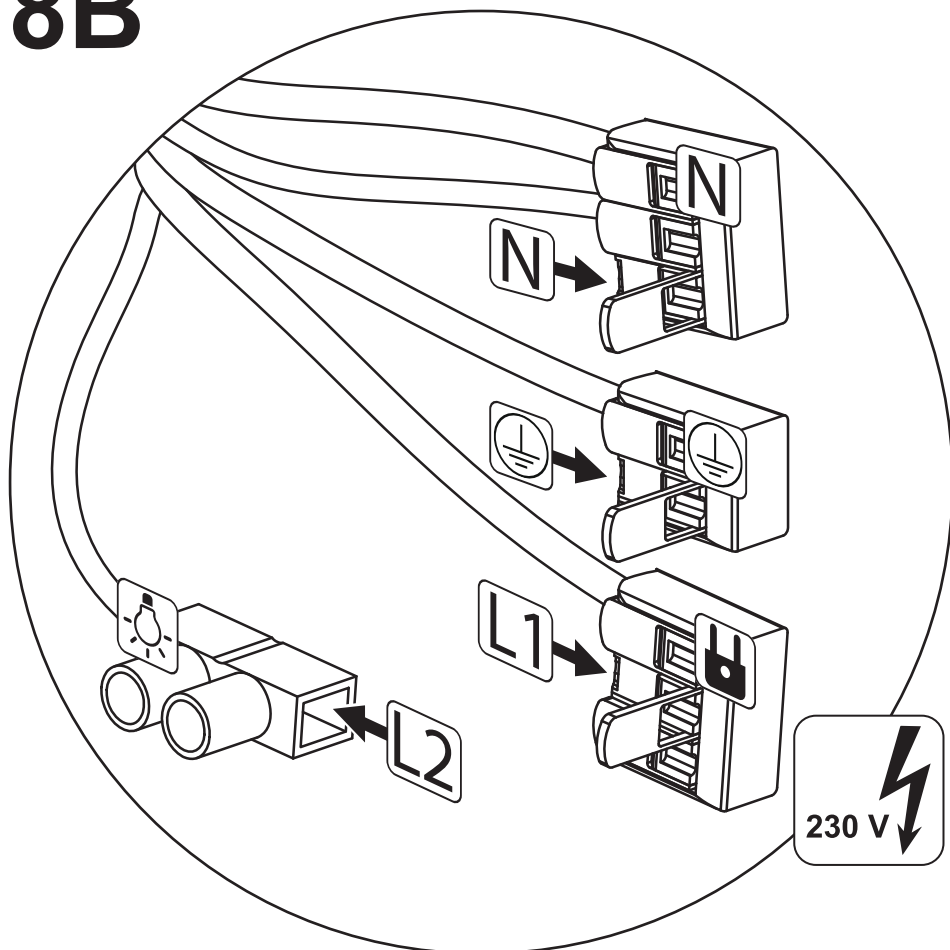


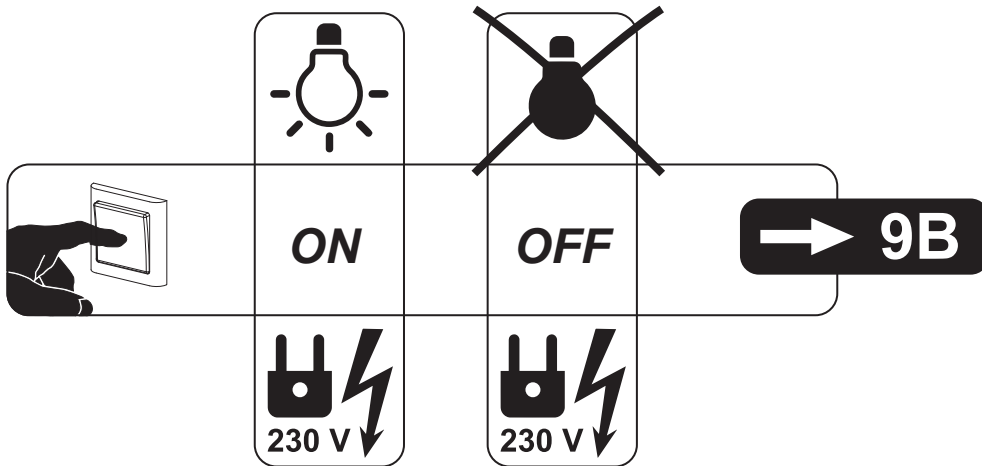
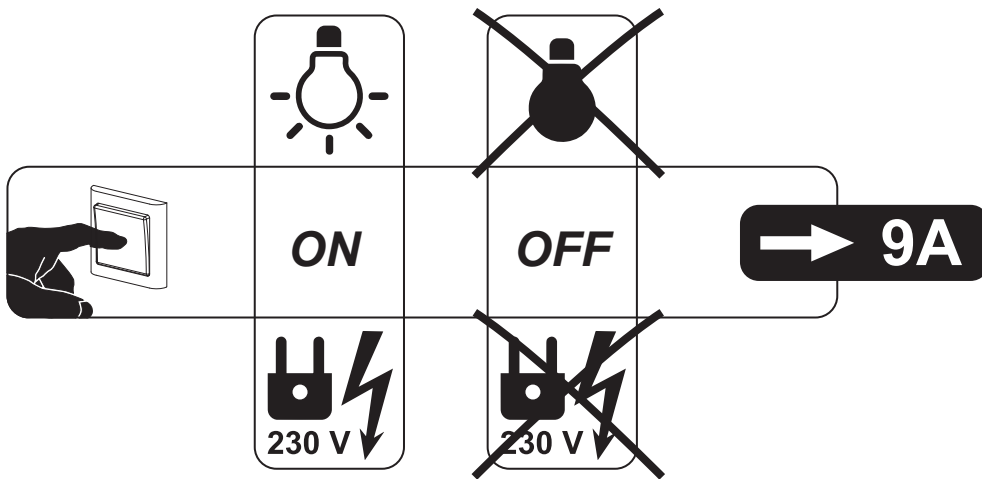
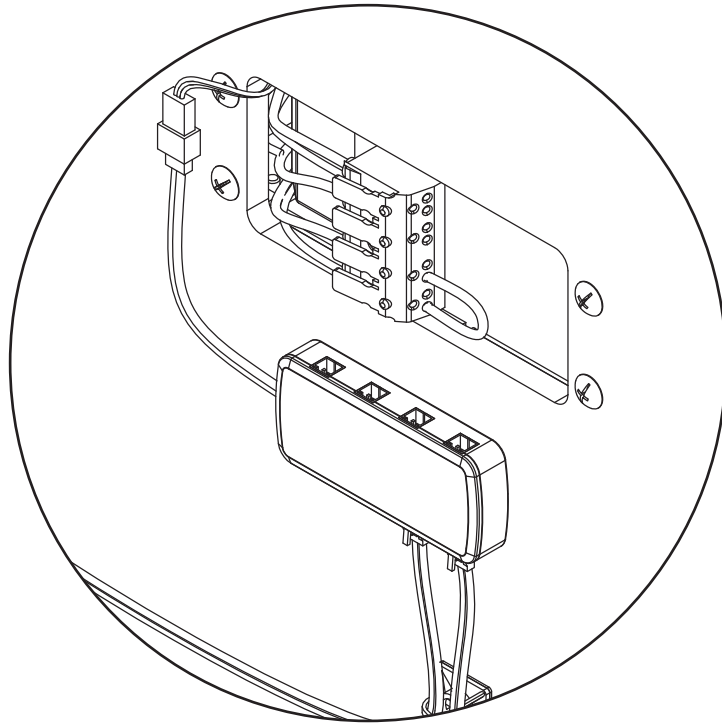


# 8A

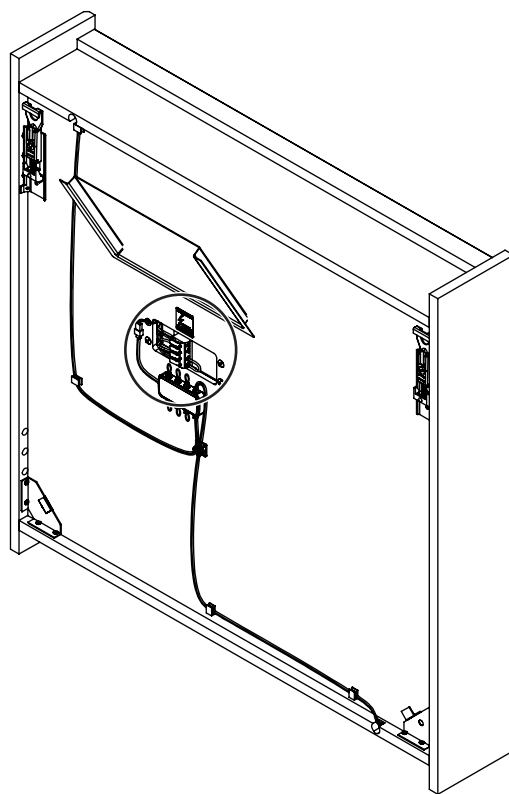
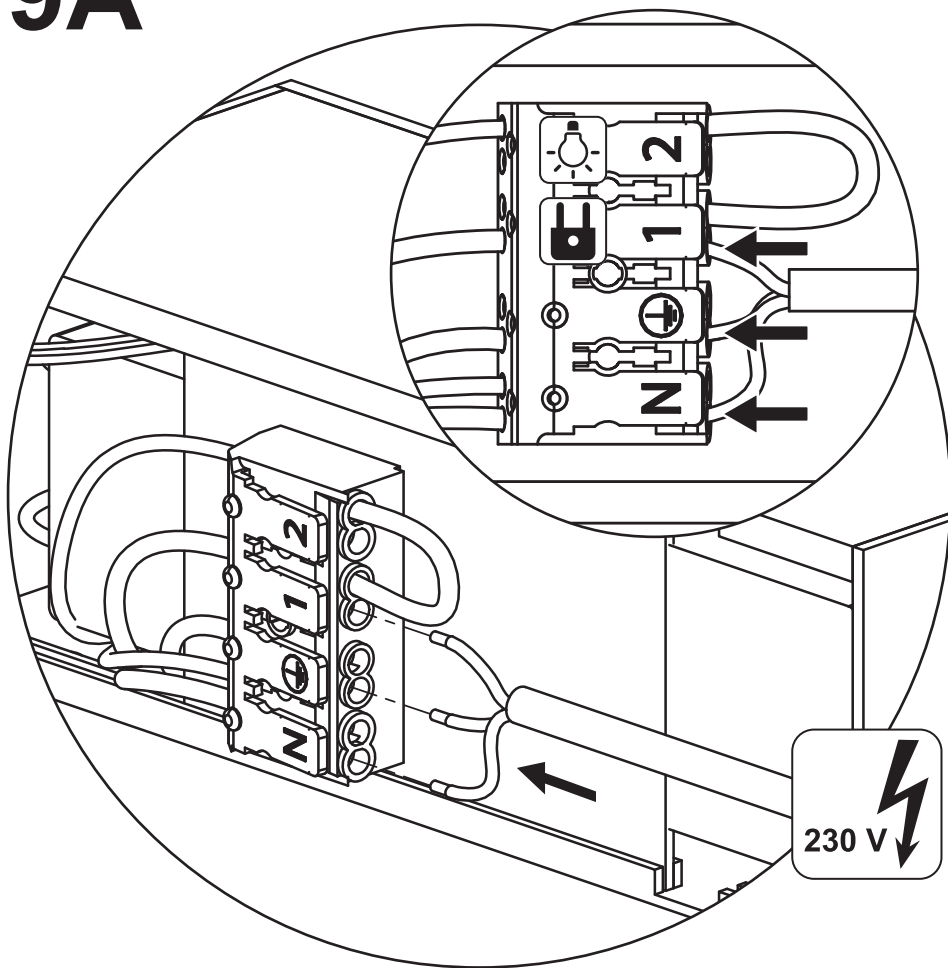


# 8B

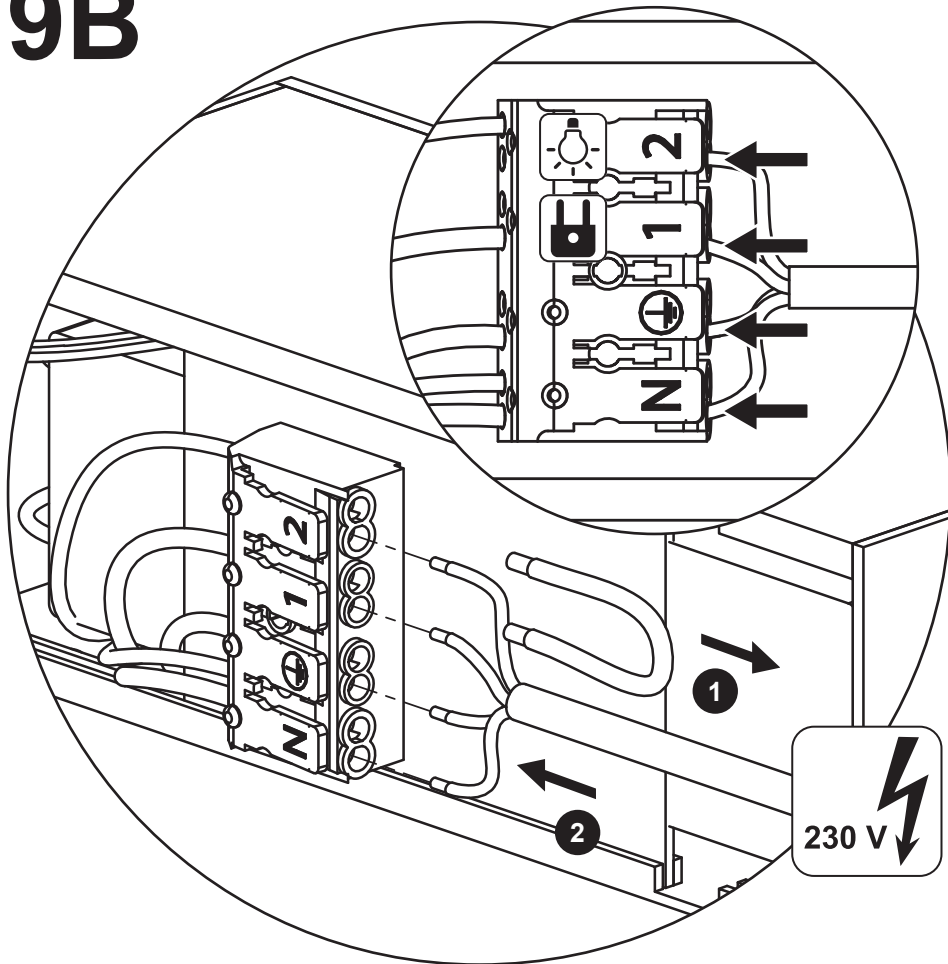




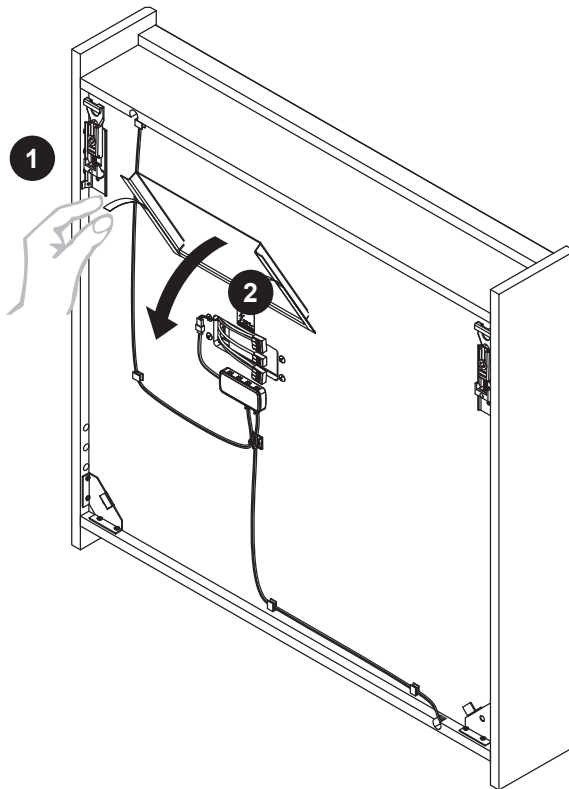
# 9A



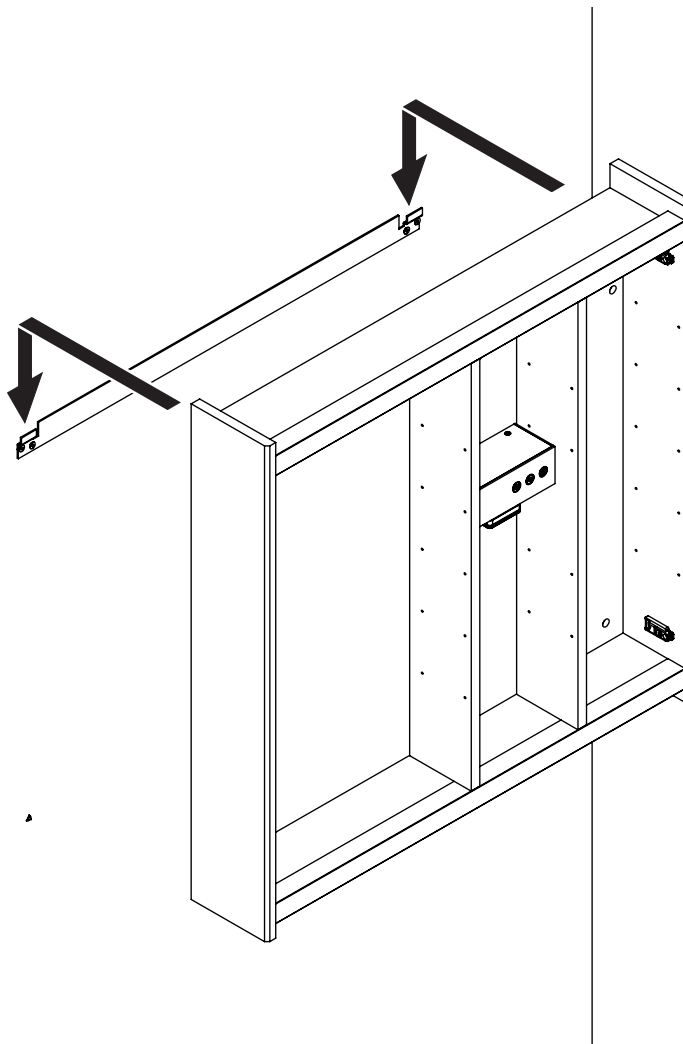
# 9B





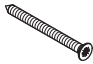

# 10

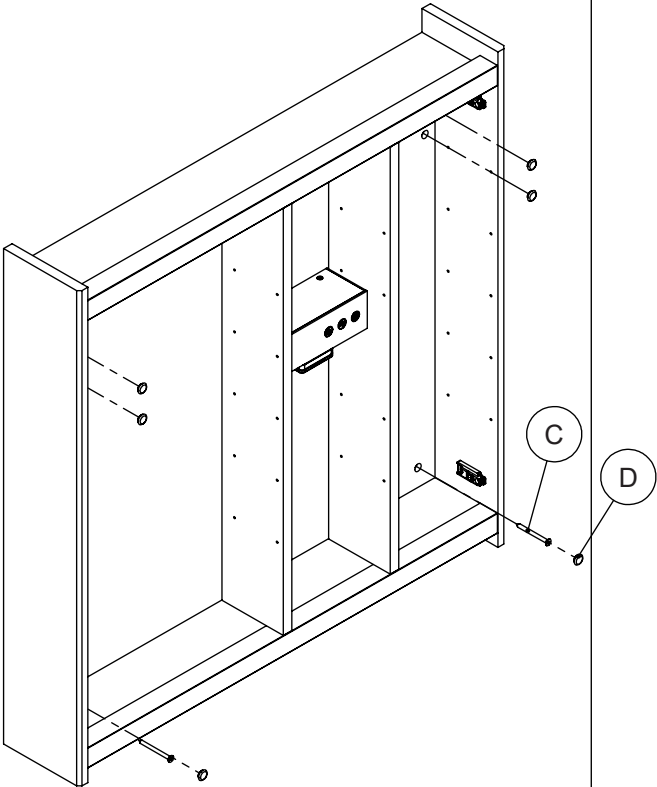





# 11

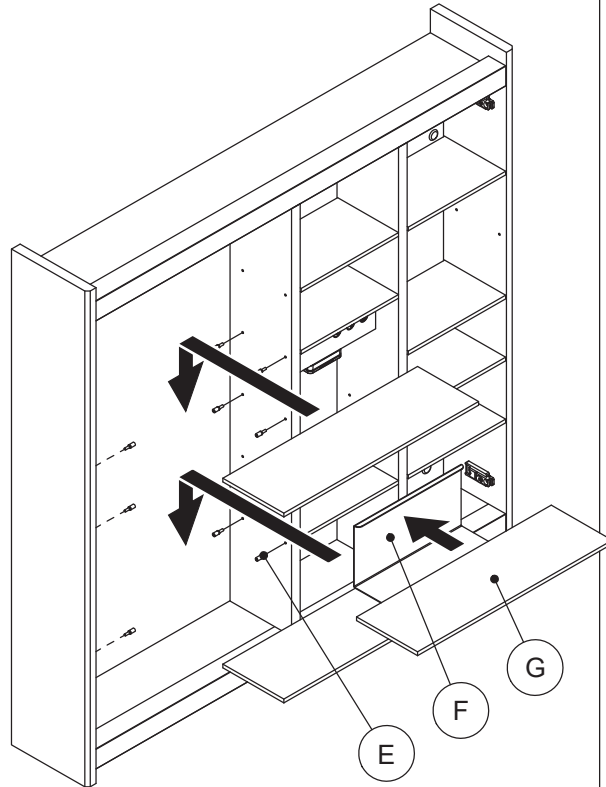


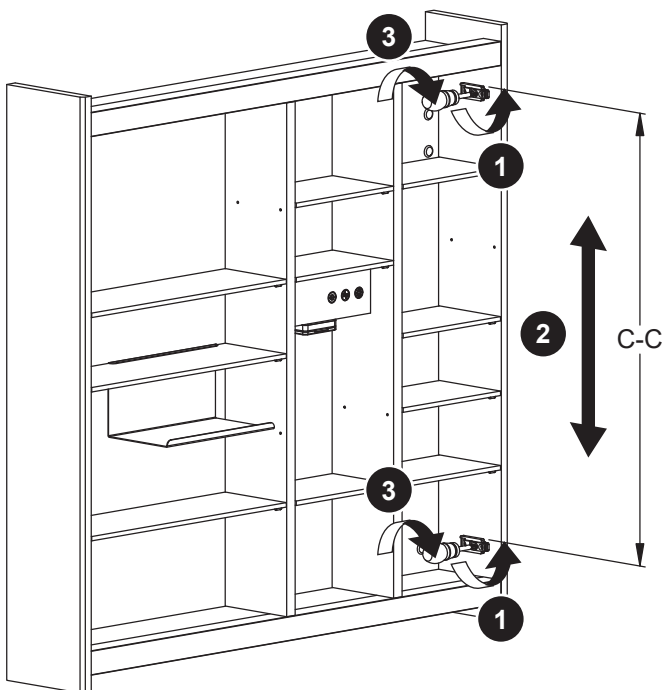
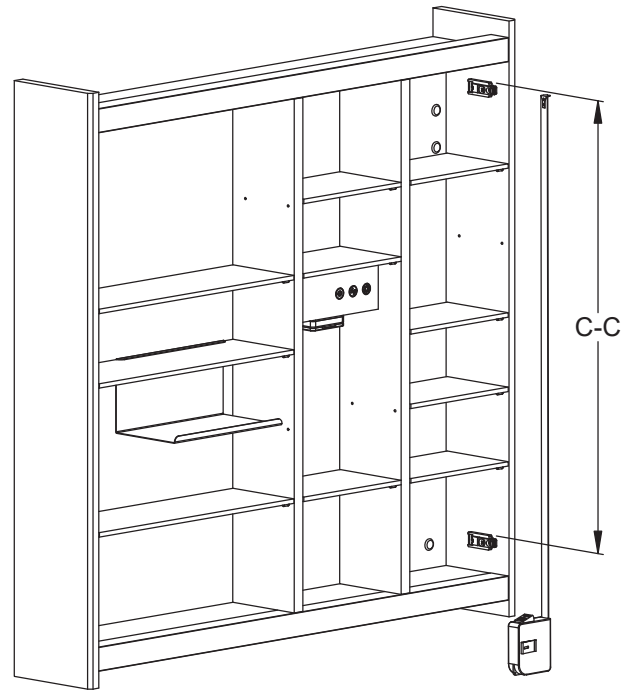
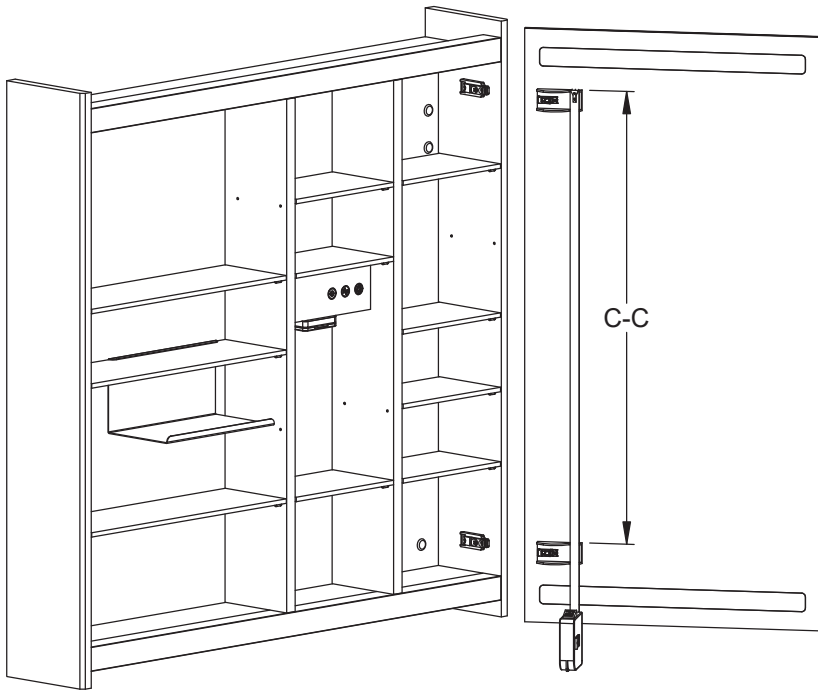
# 12

	
	
2x 5,0-60SU	6x 640001242

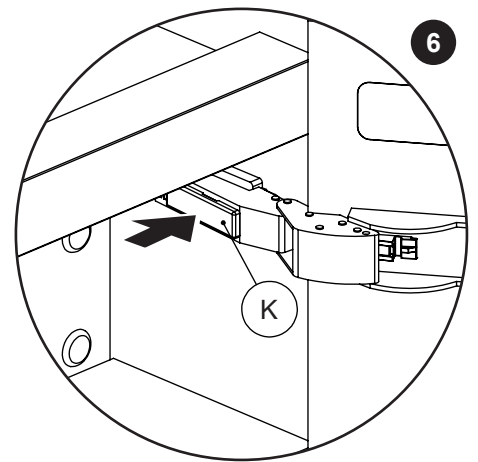
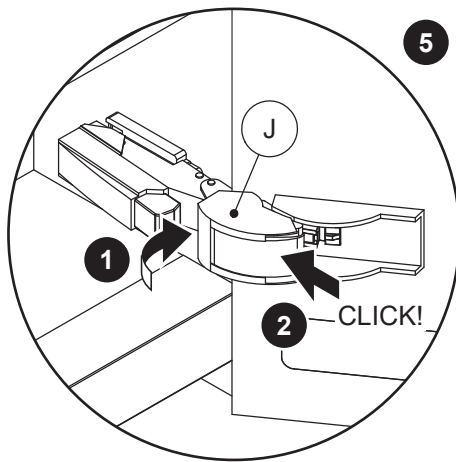
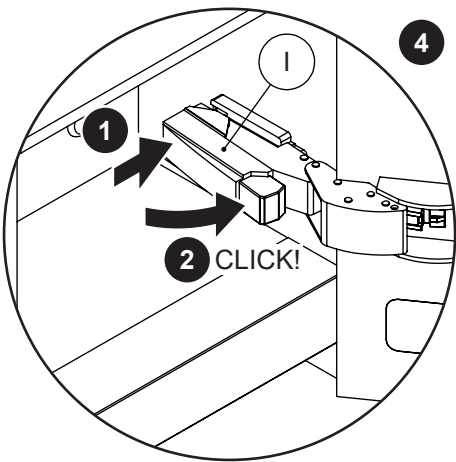
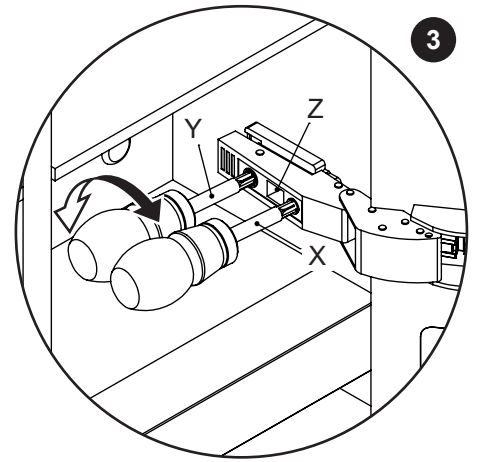
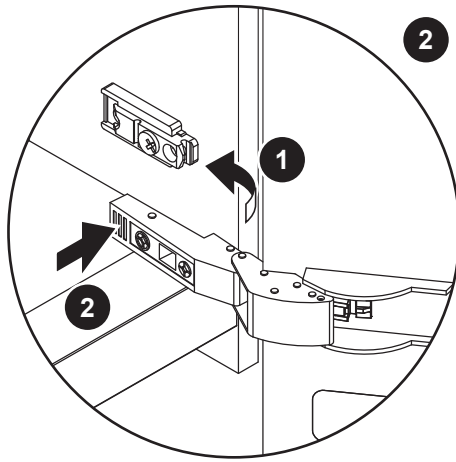
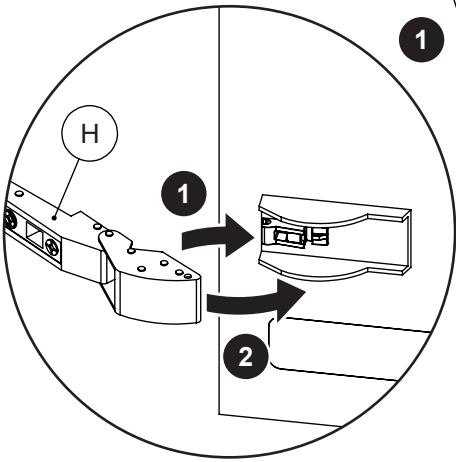
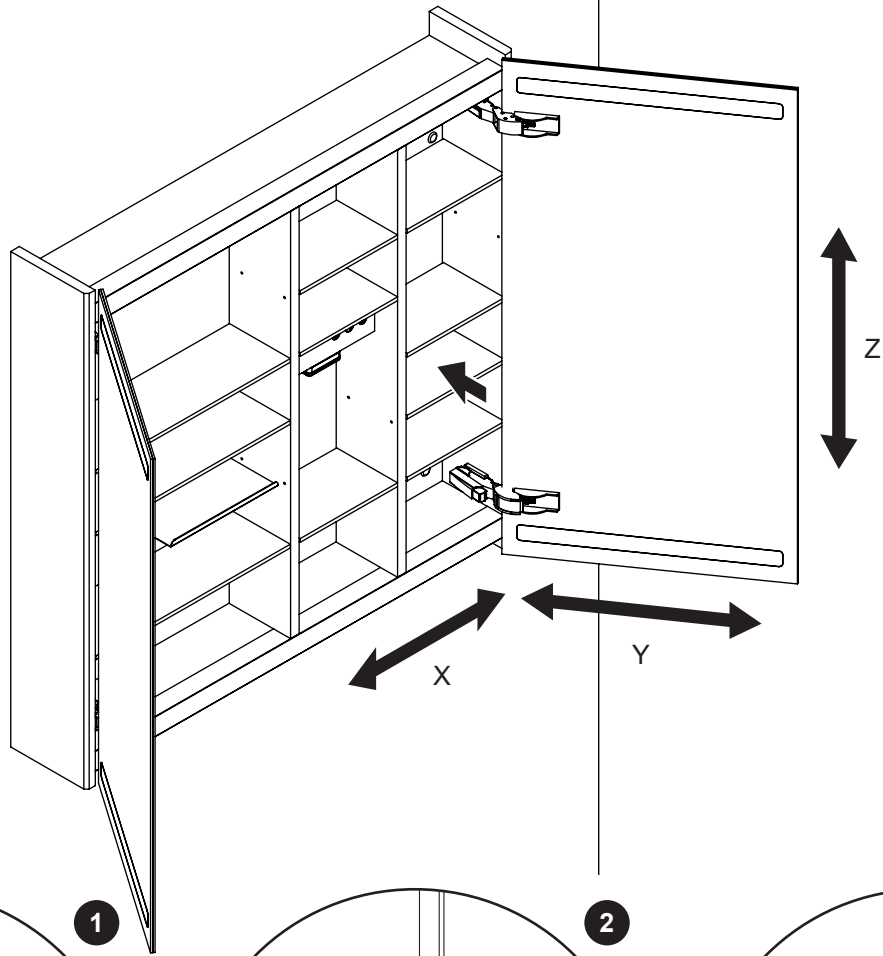
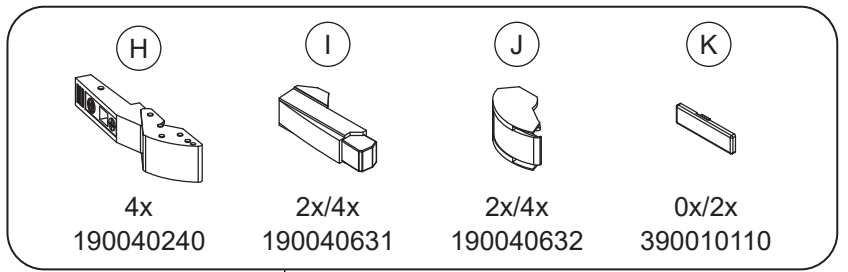


		
28x/40x 415533	1x 545700047	7x/10x 6201x0100

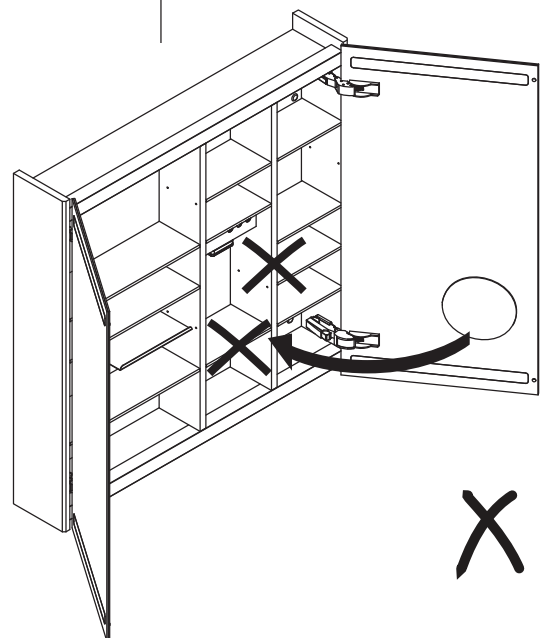
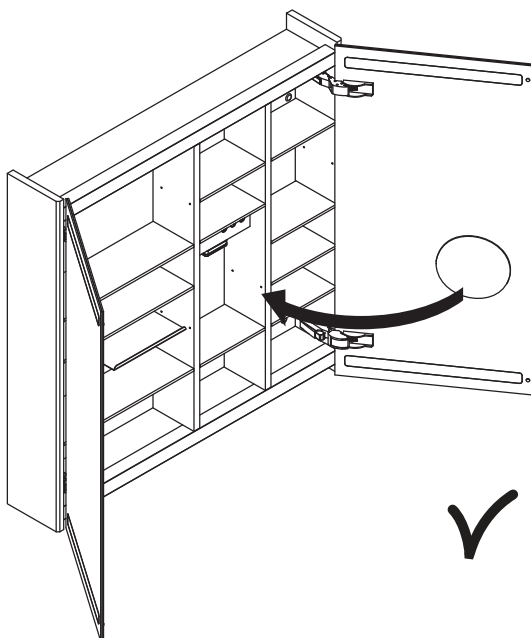
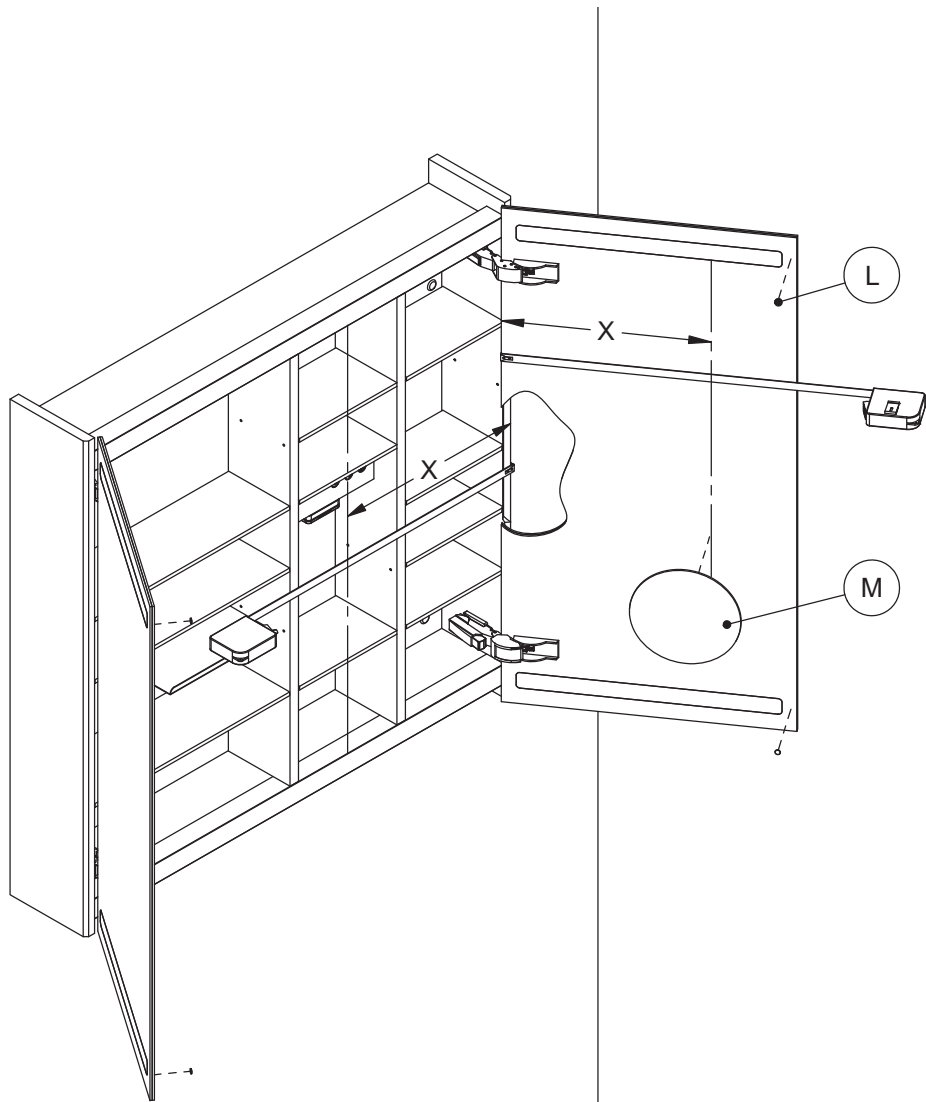








(L)	(M)
○	◌
4x/6x 1950000	1x 190040310



# 17

