

2x



1600709
2x

8x



1600707-1
4x

8x



1600707-2
1x



1600710-1
1x



1600710-2
6x



1600710-3
6x



1600710-4
2x



1600708-1
2x



1600708-2
2x

6x



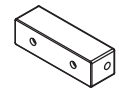
1600708-3
1x

1x



1600706
2x

1x



1600736-1
2x



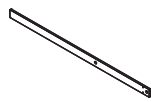
1600736-2
1x



1600736-3
1x



1600736-4
2x



160073X
1x



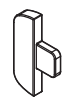
1600738-1
1x



1600738-2
1x



1600737-1
1x



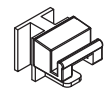
1600737-2
1x



1600737-3
1x



1600703
2x



1600702-1
2x



1600702-2
2x



1600702-3
2x



1600705
1x



1600730
1x



1600740-1
1x



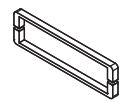
1600740-2



1600739-1



1600739-2



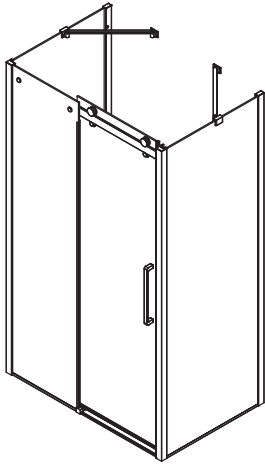
1600701



1600732



1600731

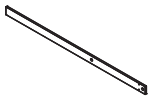


2x	8x	8x
1600709	1600707-1	1600707-2
2x	4x	1x
1600710-1	1600710-2	1600710-3
1x	6x	6x
1600710-4	1600708-1	1600708-2
2x	2x	2x
1600736-1	1600736-3	1600736-4
2x	1x	2x
1600738-1	1600738-2	1600737-1
1x	1x	1x
1600702-1	1600702-2	1600702-3
2x	2x	2x
1600703	1600705	1600730
2x	1x	1x
1600740-1	1600740-2	1600739-1
1x	2x	
1600731	19033041X	

6x



1600708-3
1x



160073X
1x



1600703
2x



1600740-1
1x



1600731

1x



1600706
2x



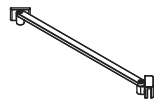
1600738-1
1x



1600702-1
2x

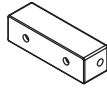


1600740-2
2x



19033041X

1x



1600736-1
2x



1600738-2
1x



1600702-2
2x



1600739-1

2x



1600709
2x



1600710-1
1x



1600710-4
2x



1600736-2
1x



1600737-1
1x



1600702-3
2x



1600739-2

8x



1600707-1
4x



1600710-2
6x



1600708-1
2x



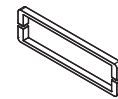
1600736-3
1x



1600737-2
1x



1600705
1x

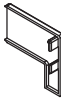


1600701

8x



1600707-2
1x



1600710-3
6x



1600708-2
2x



1600736-4
2x



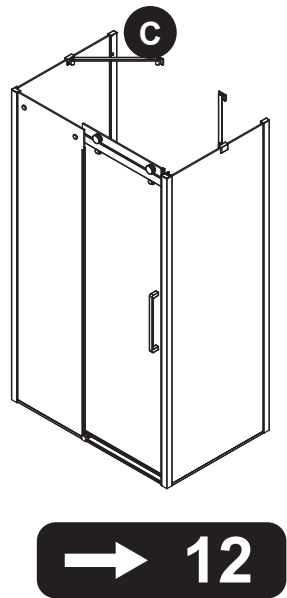
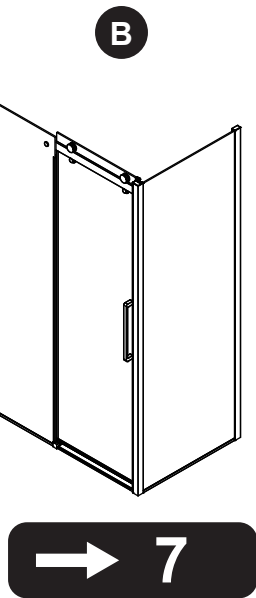
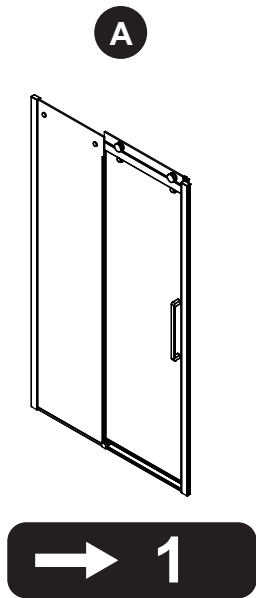
1600737-3
1x



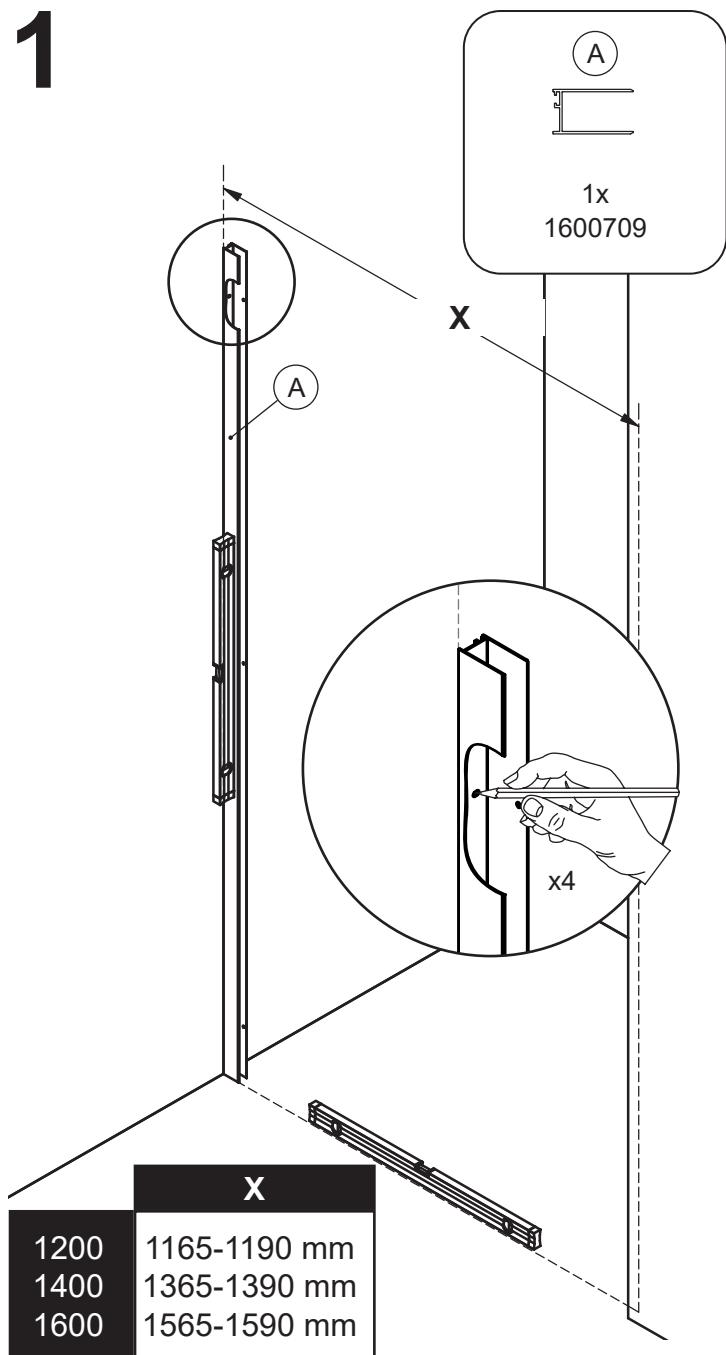
1600730
1x



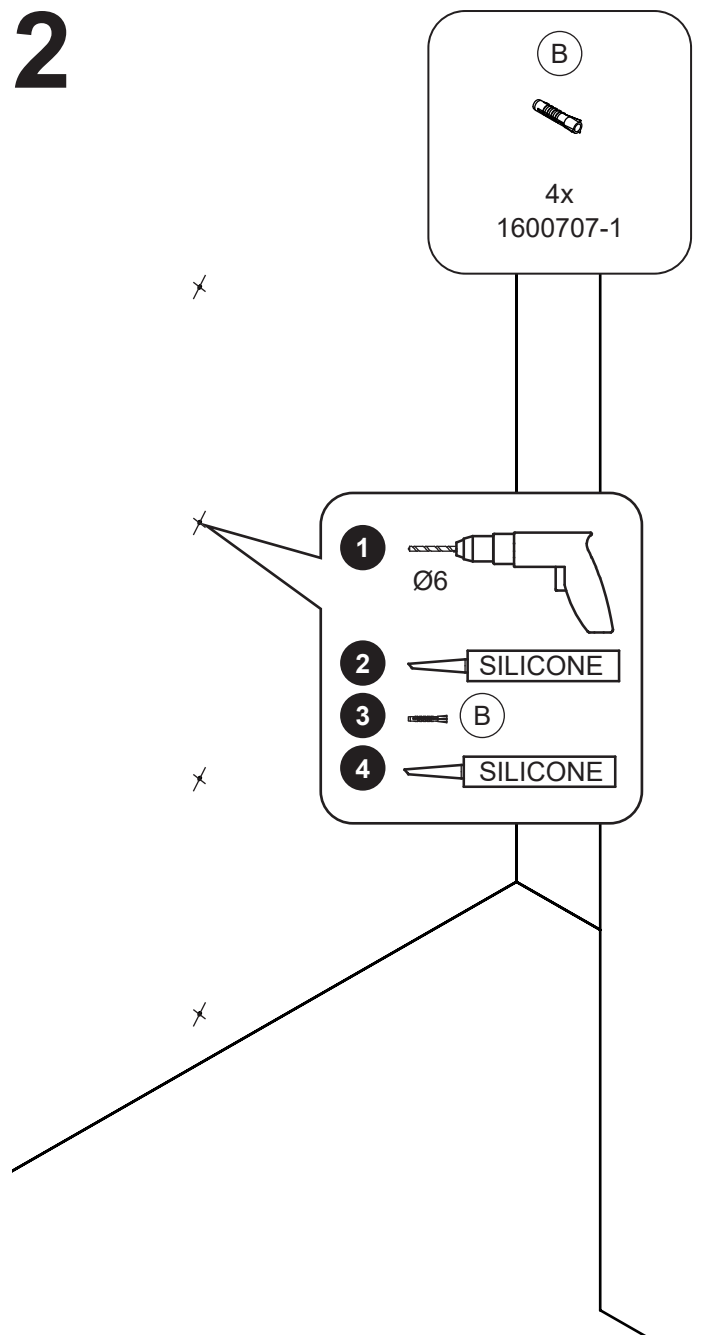
1600732



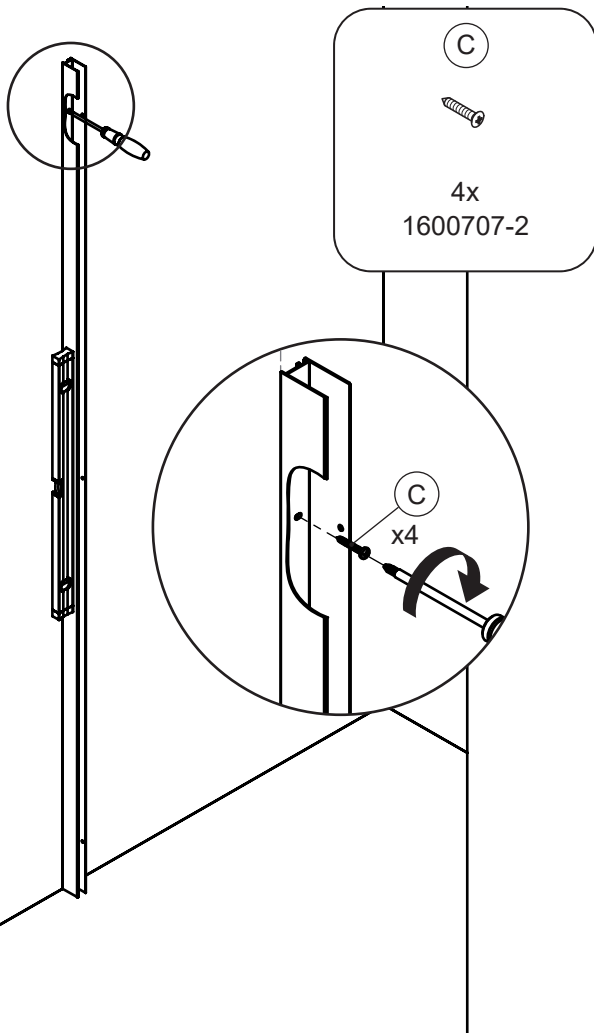
1



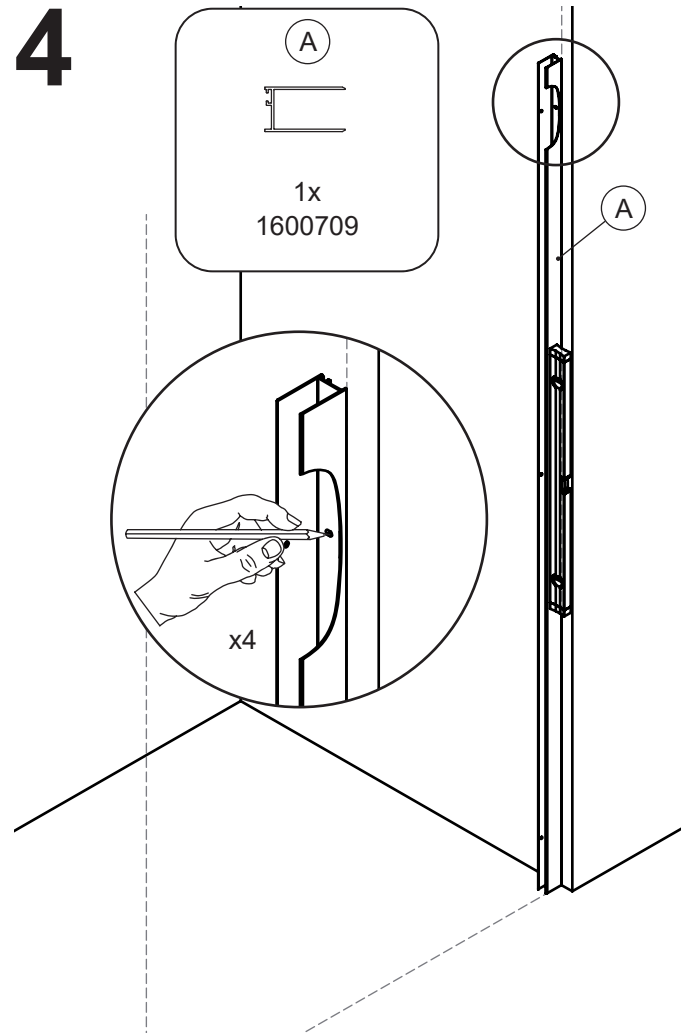
2



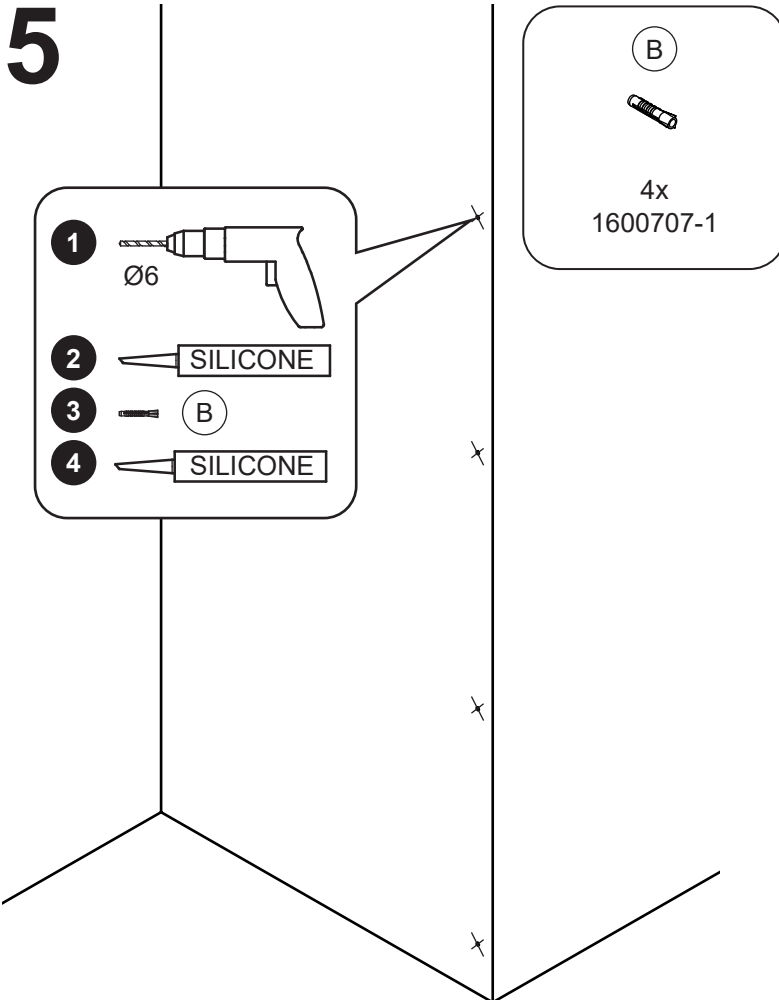
3



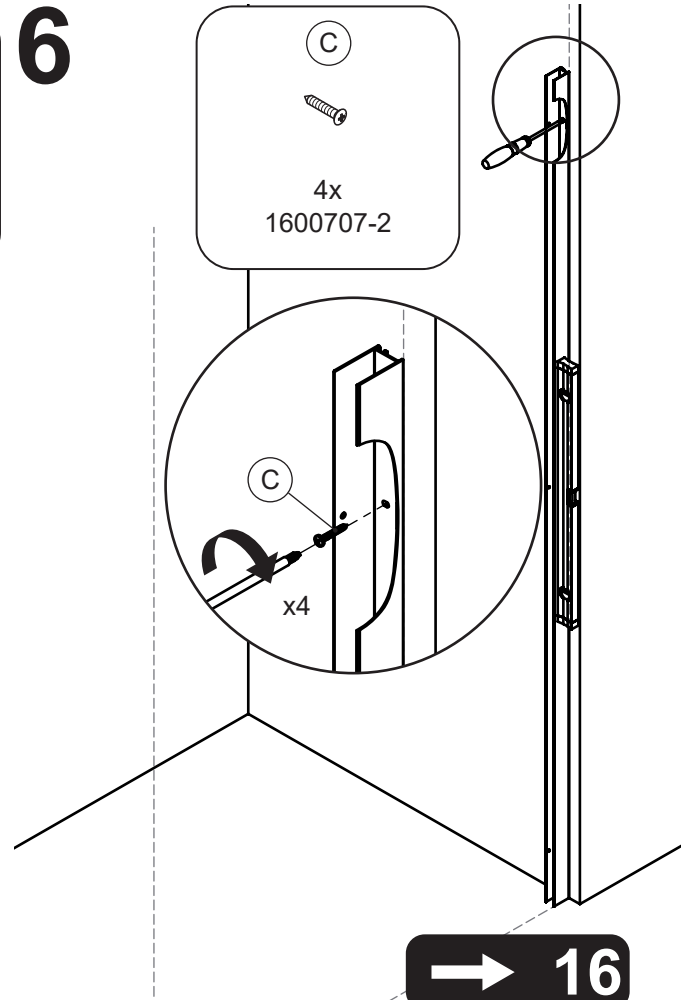
4



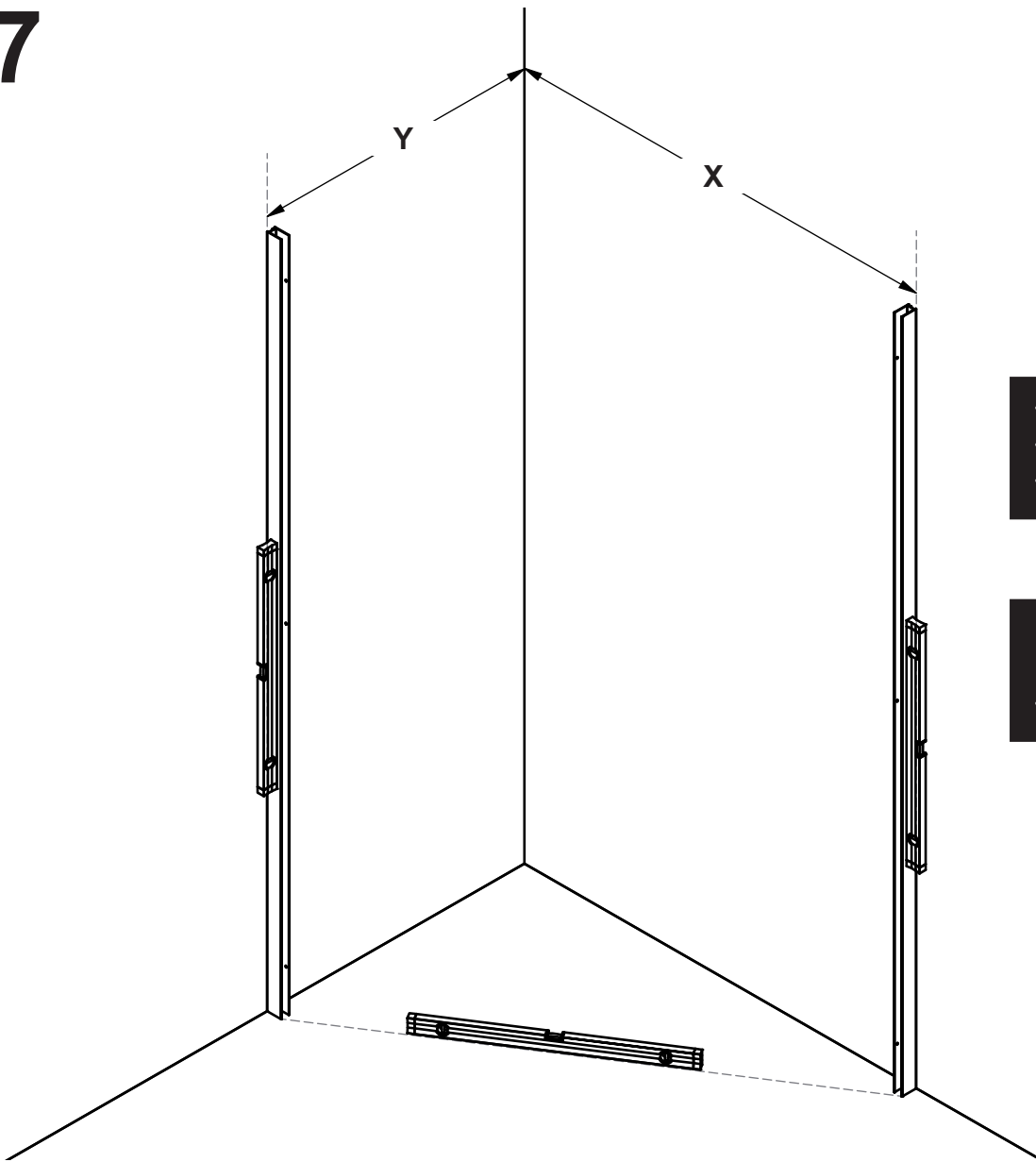
5



6

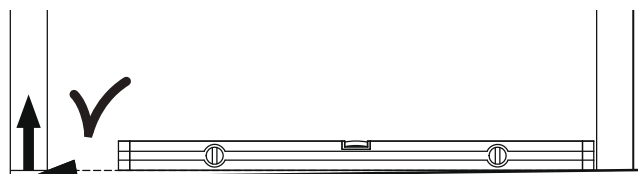
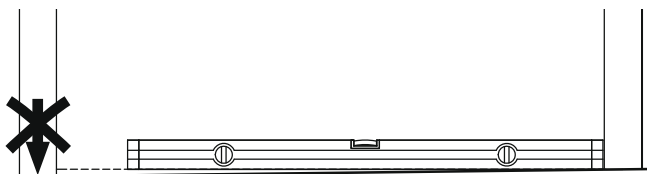


7

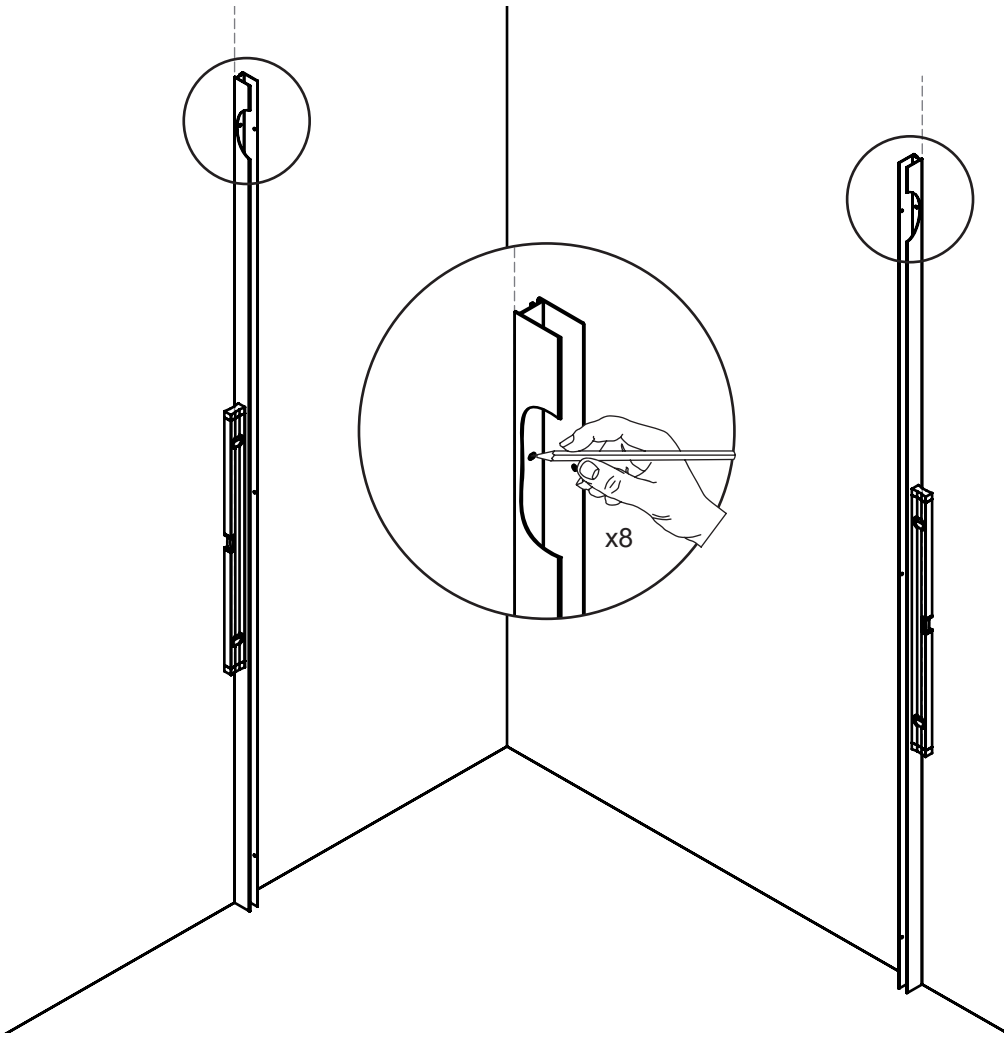


X	
1200	1165-1190 mm
1400	1365-1390 mm
1600	1565-1590 mm

Y	
800	765-790 mm
900	865-890 mm
1000	965-990 mm



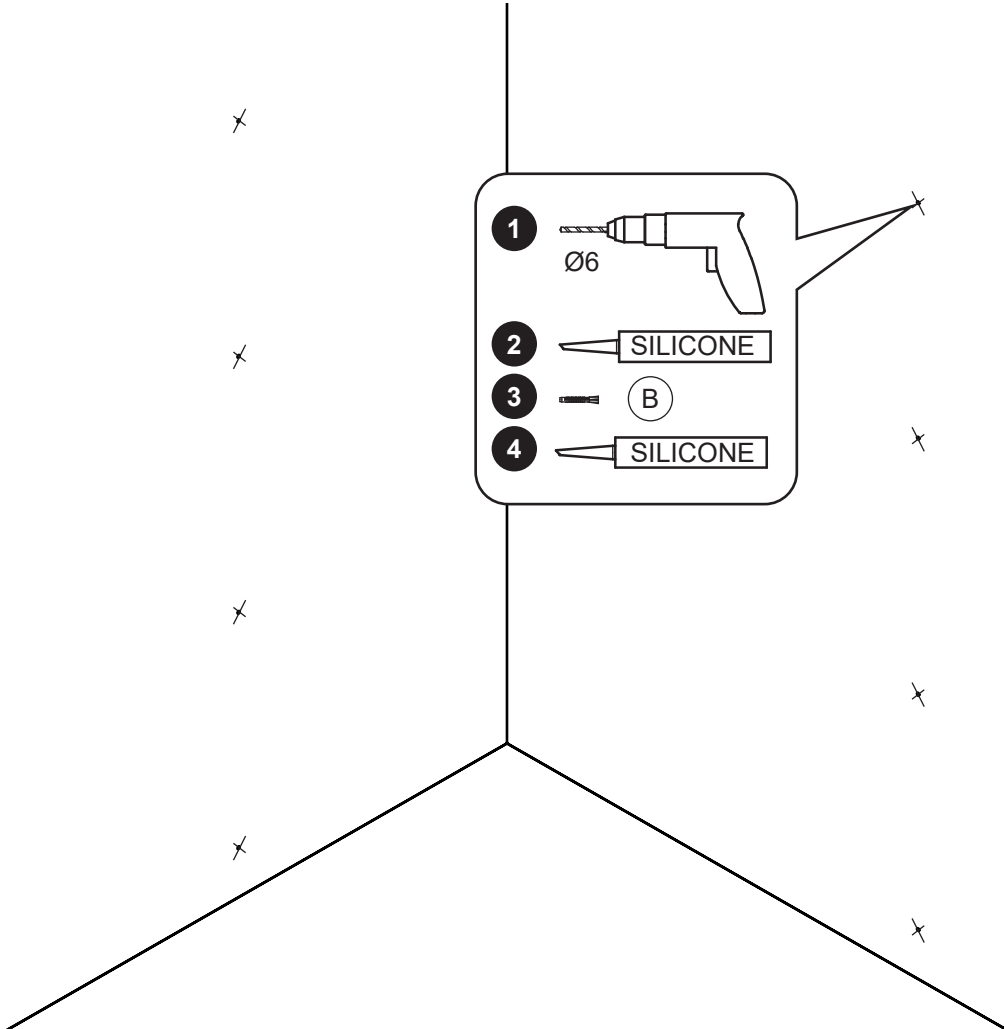
8



(A)

2x
1600709

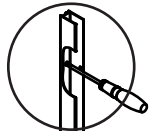
9




(B)

8x
1600707-1

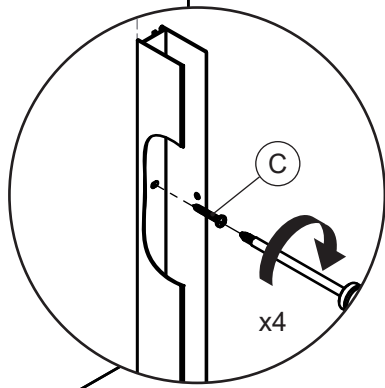
10



(C)




4x
1600707-2

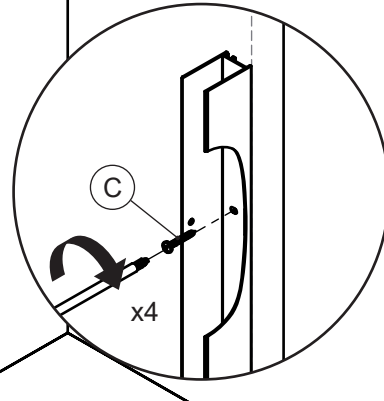
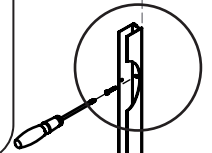


11

(C)

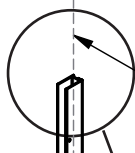


4x
1600707-2

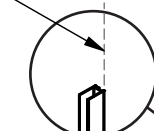
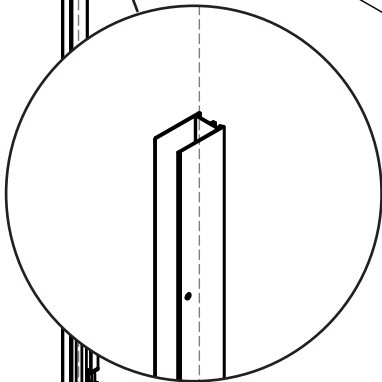


→ 25

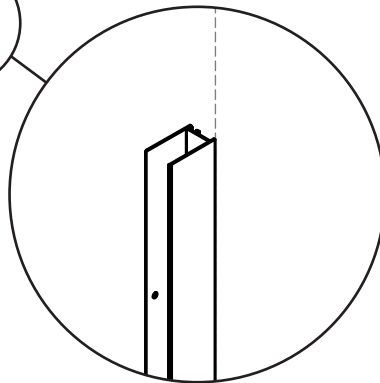
12




X



(A)

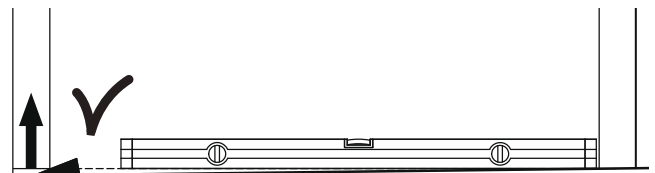
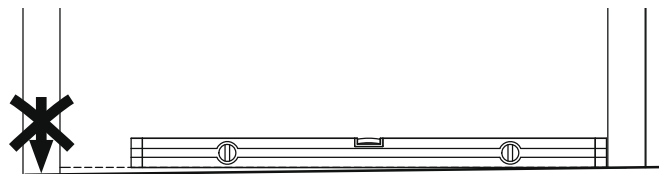


(A)

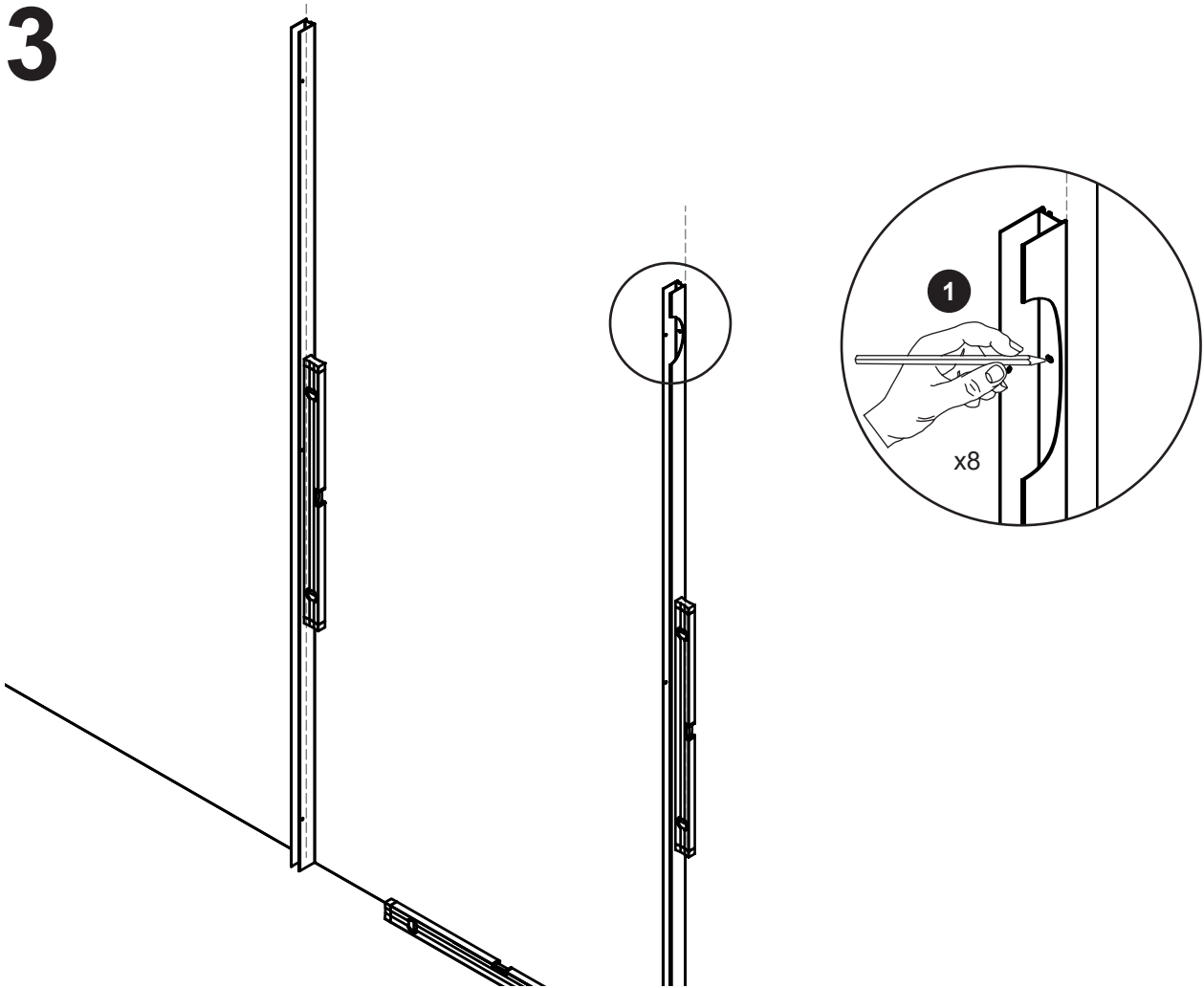


2x
1600709

	X
1200	1165-1190 mm
1400	1365-1390 mm
1600	1565-1590 mm



13



14

- 1 Ø6
- 2 SILICONE
- 3 (B)
- 4 SILICONE

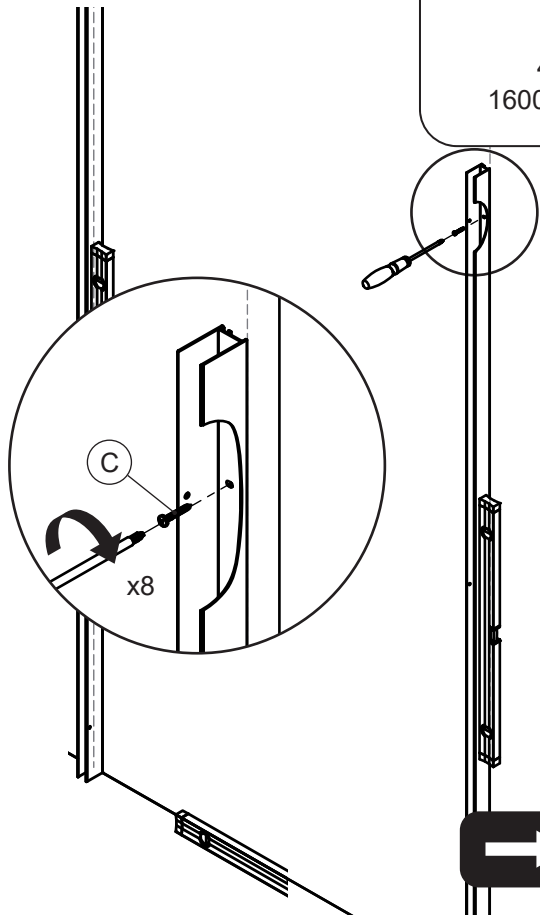
(B)

8x
1600707-1

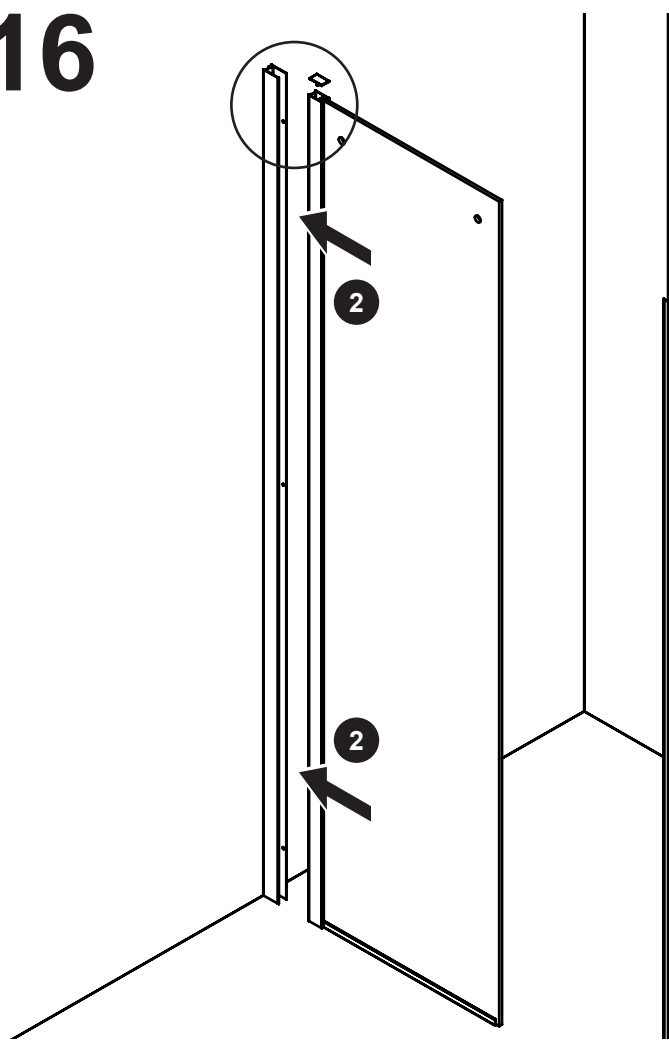
15

(C)

4x
1600707-2

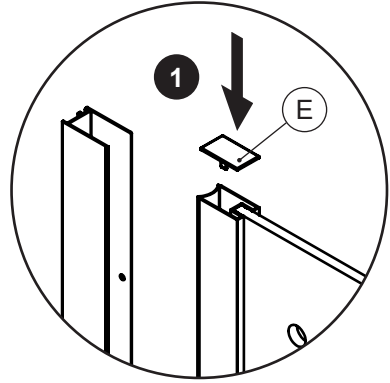


16

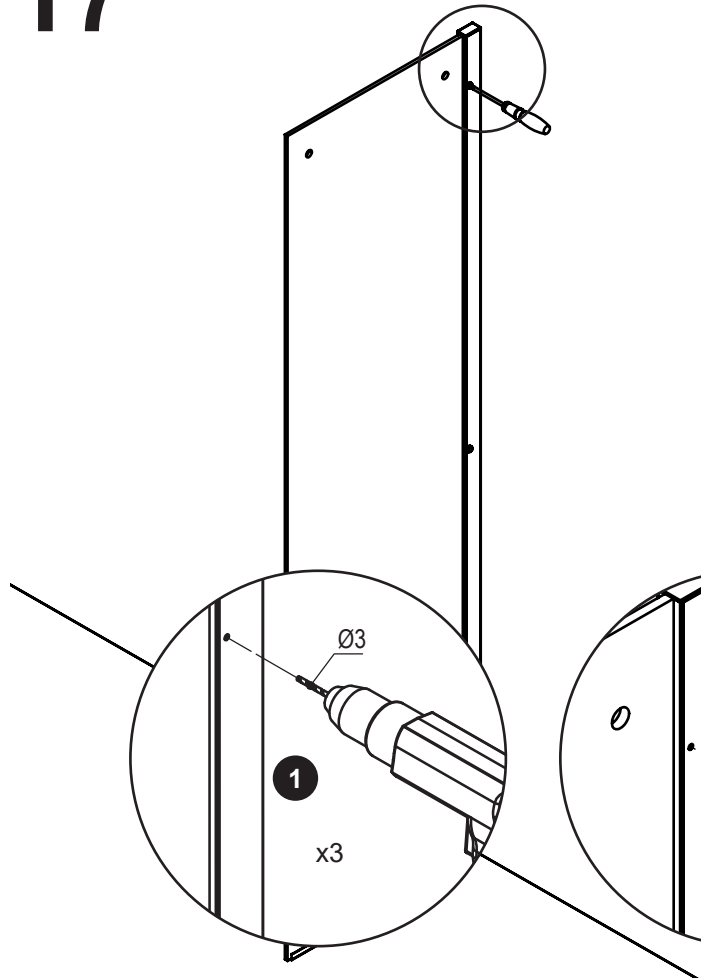


(E)

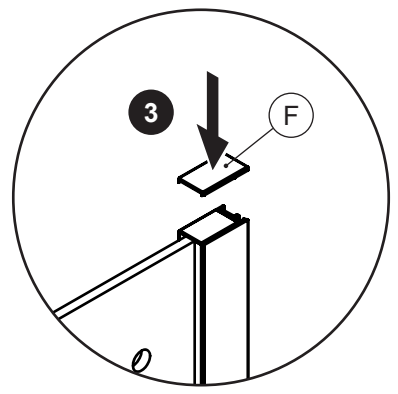
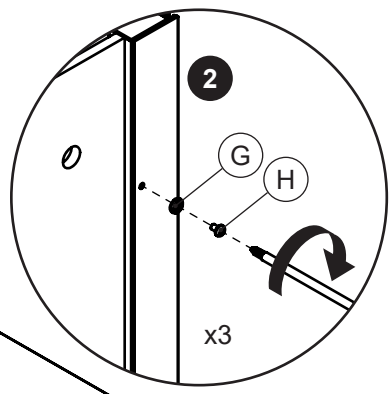
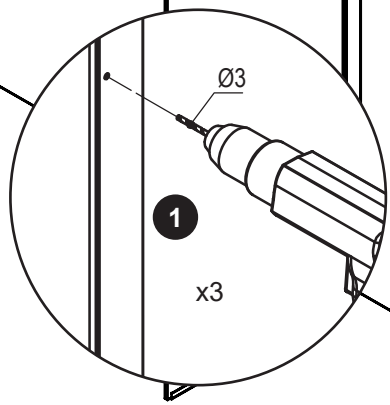
1x
1600710-2



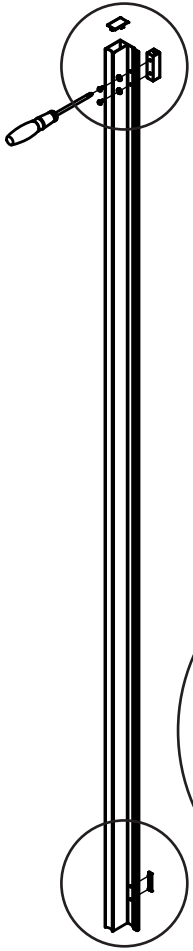
17



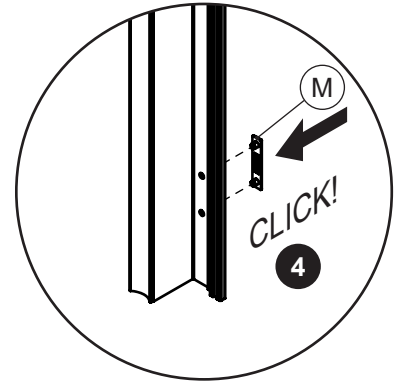
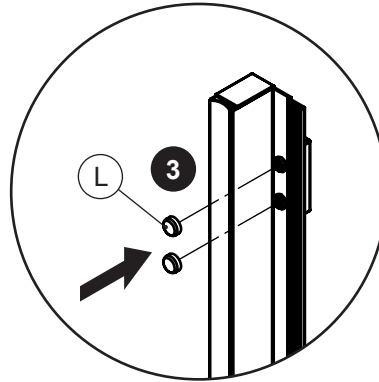
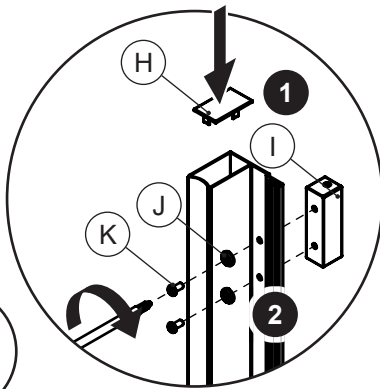
(F) 1x 1600710-1	(G) 3x 1600708-3	(H) 3x 1600708-1
----------------------------	----------------------------	----------------------------



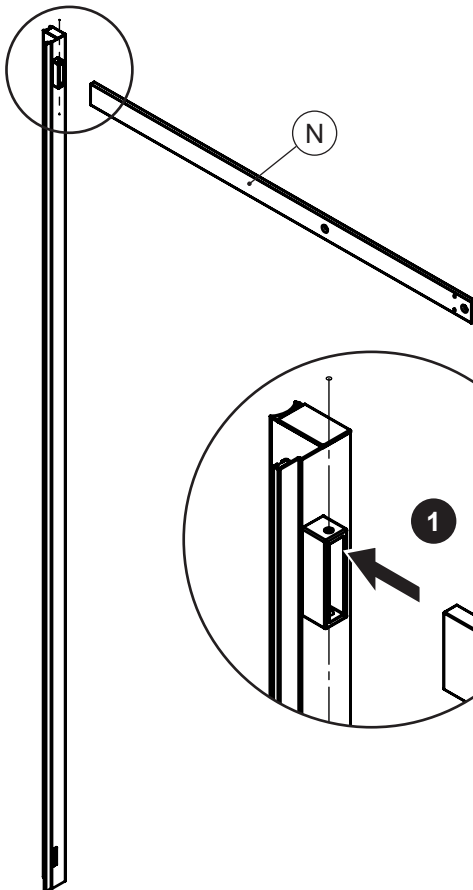
18



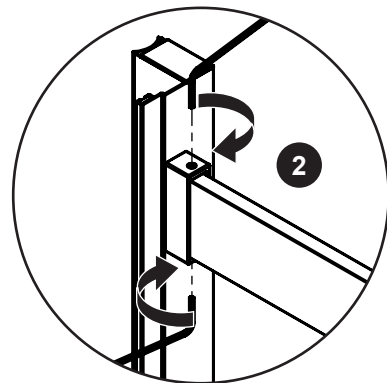
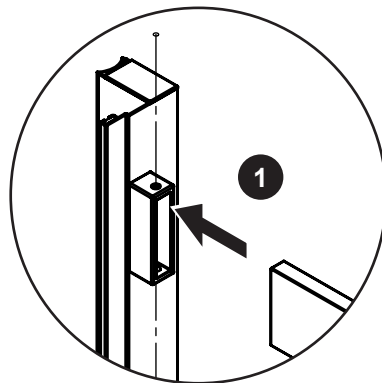
 1x 1600710-2	 1x 1600736-1	 2x 1600736-4
 2x 1600736-2	 2x 1600736-3	 1x 1600706



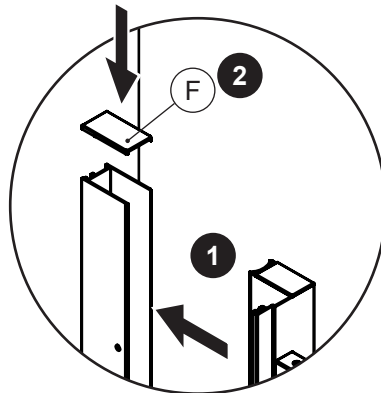
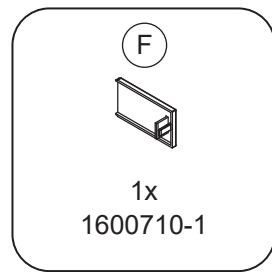
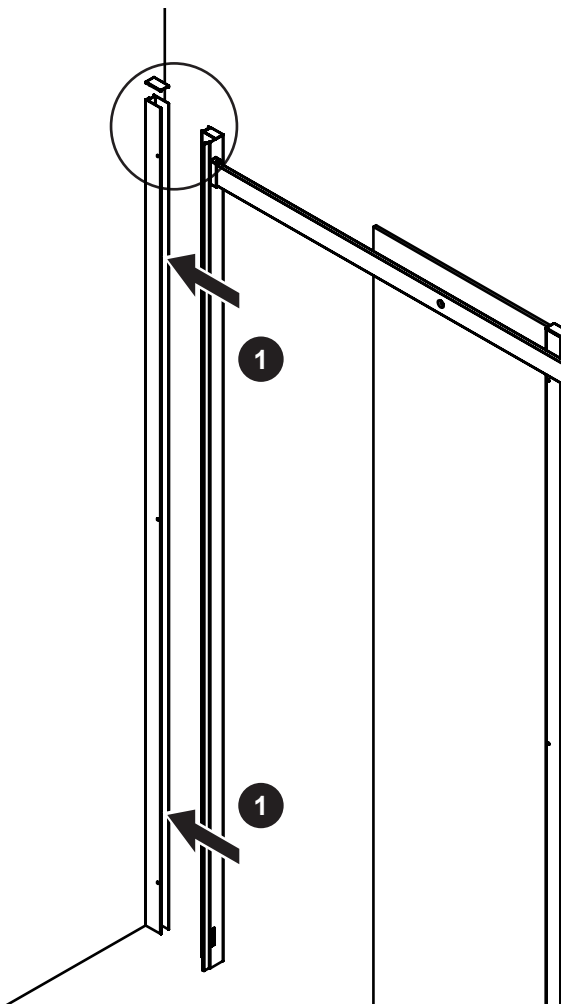
19



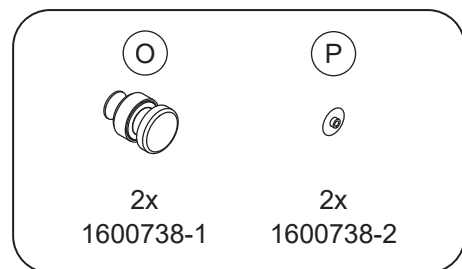
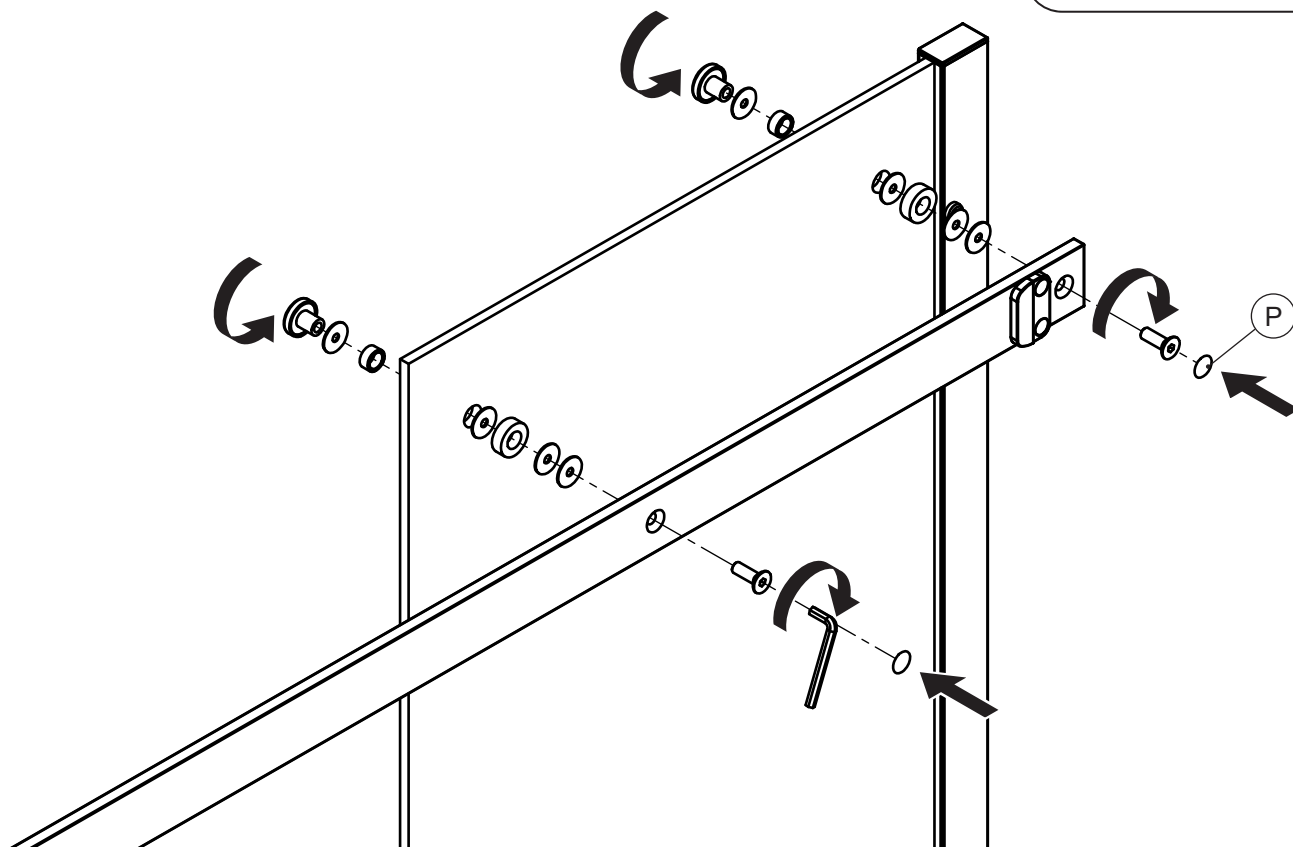
 1x 160073X



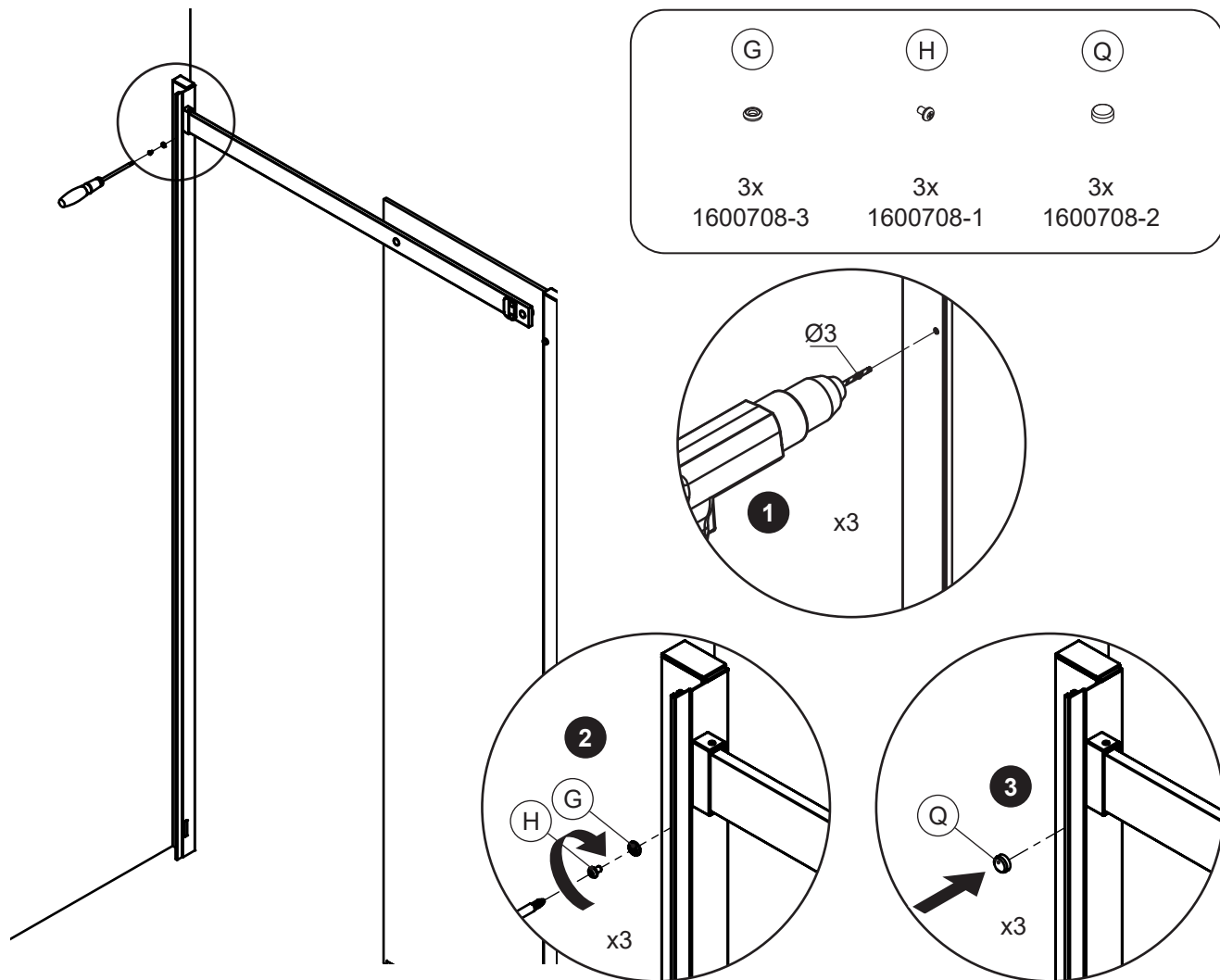
20



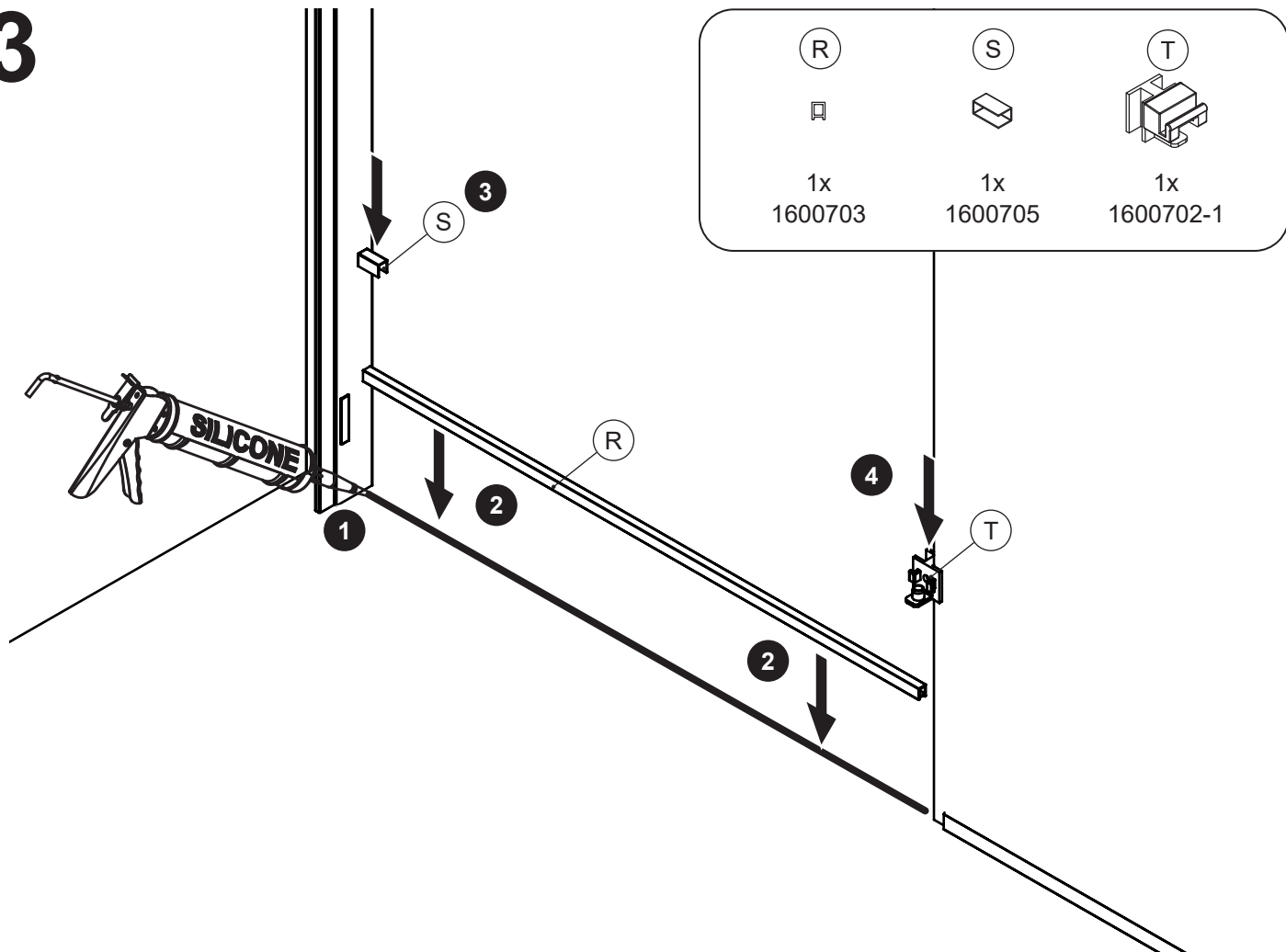
21



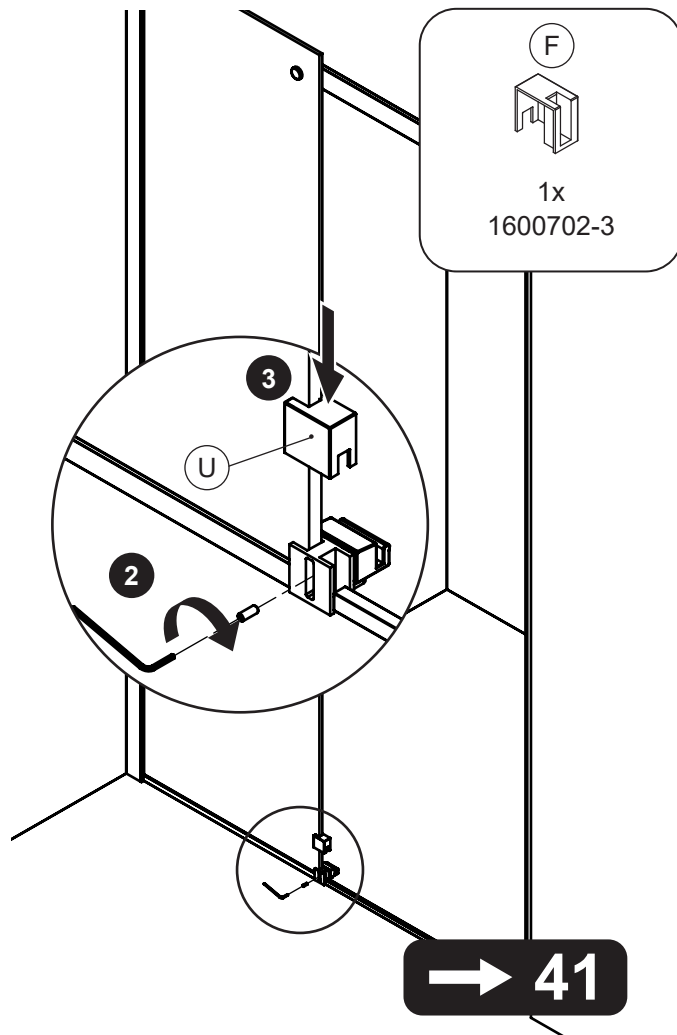
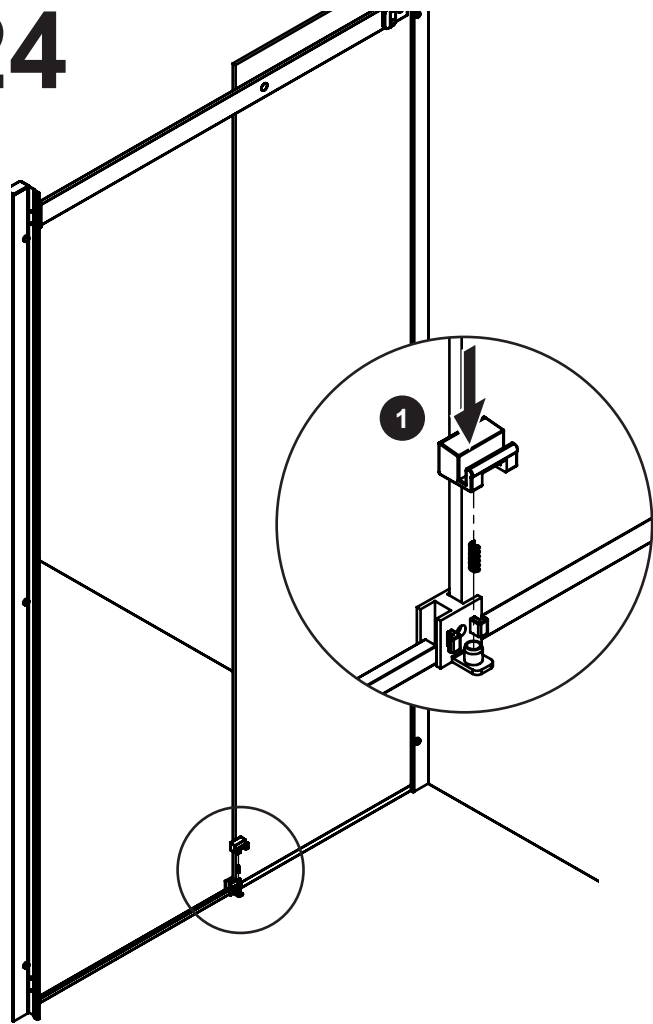
22



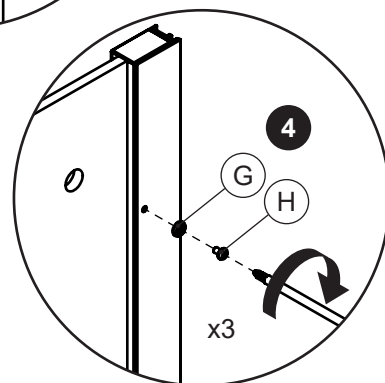
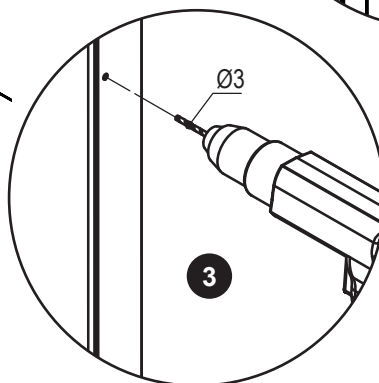
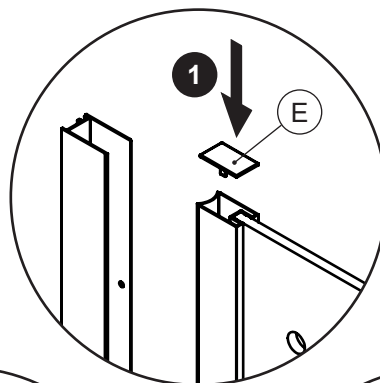
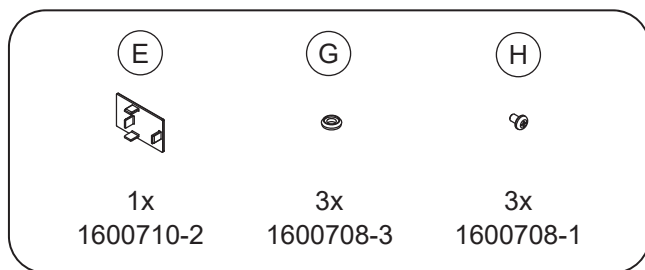
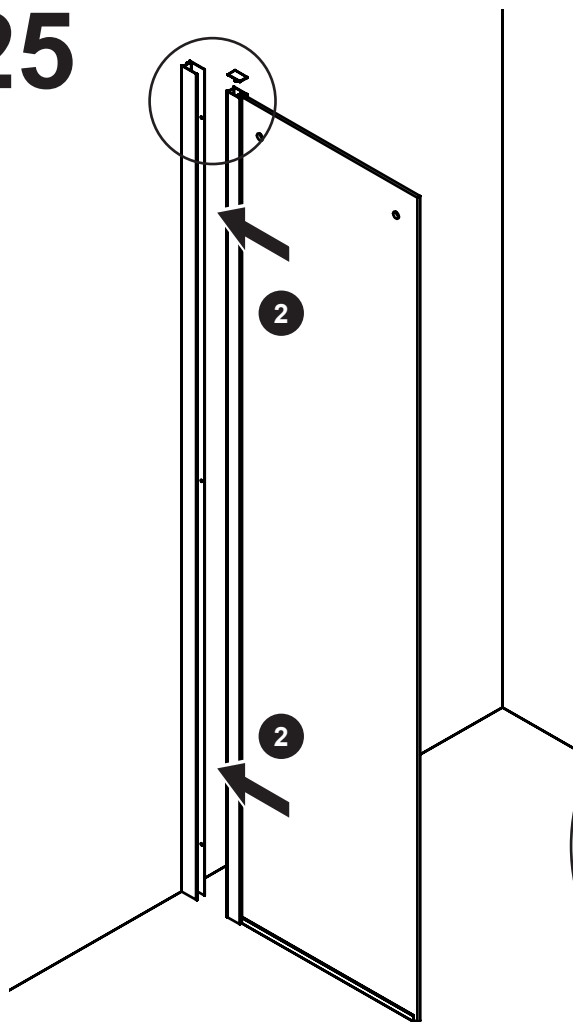
23



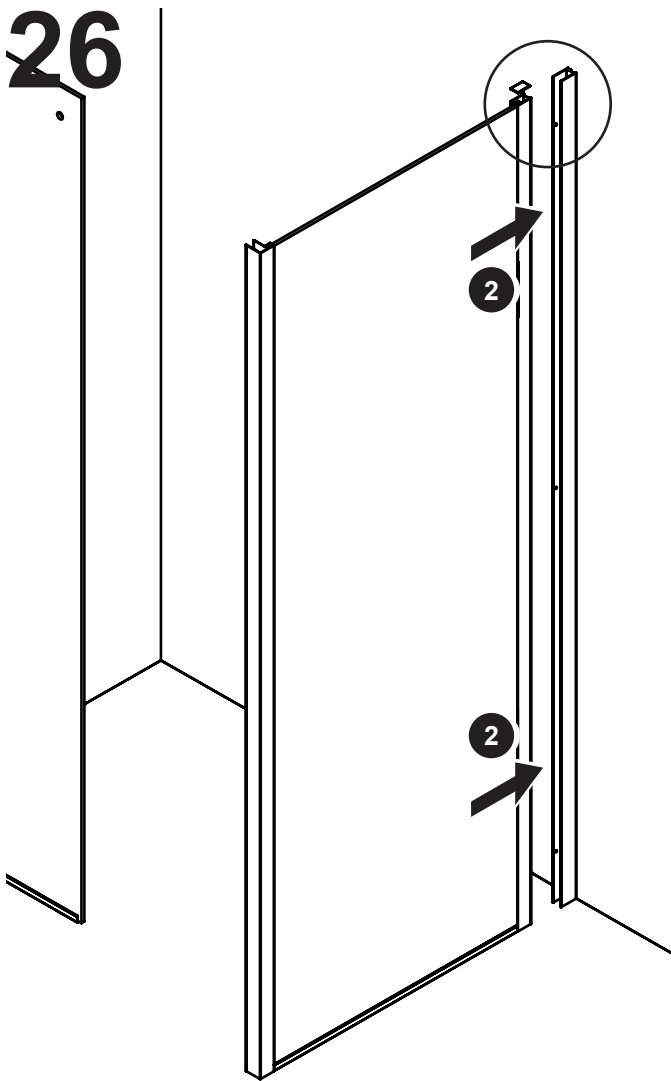
24





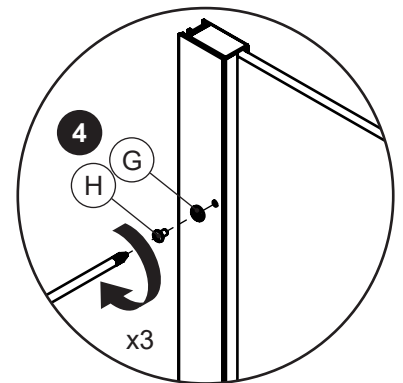
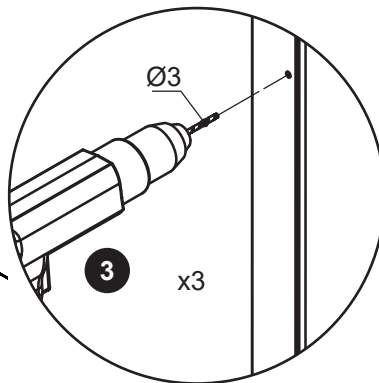
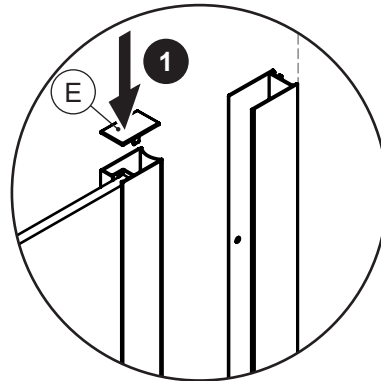
25



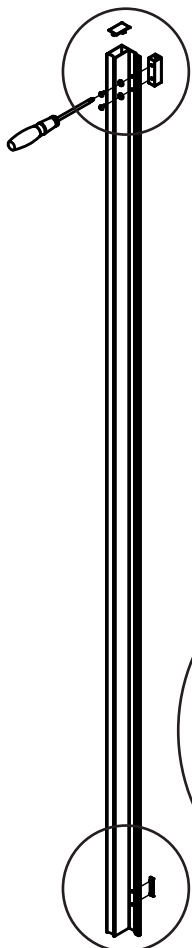
26


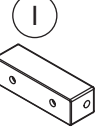






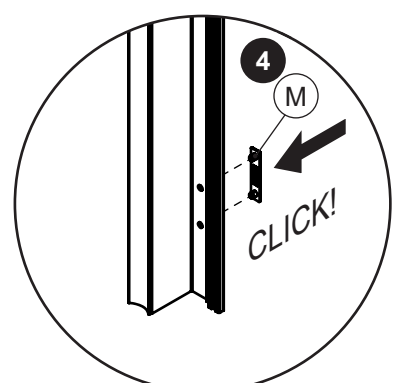
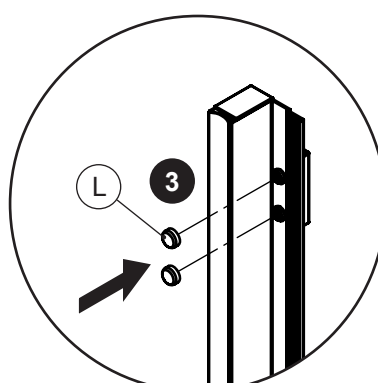
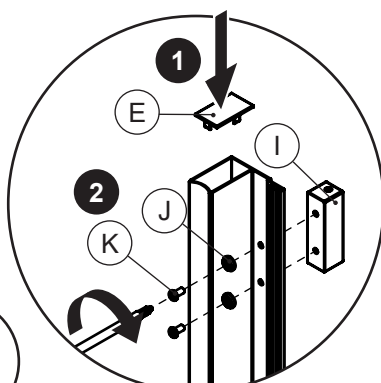
(E)  1x 1600710-2	(G)  3x 1600708-3	(H)  3x 1600708-1
--	---	---



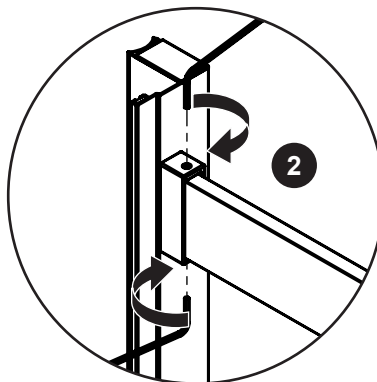
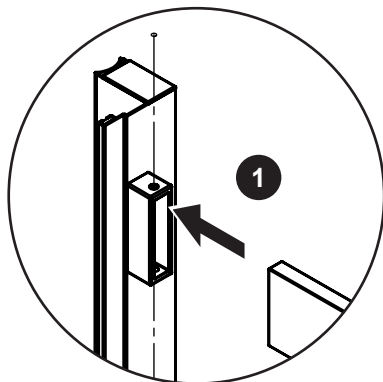
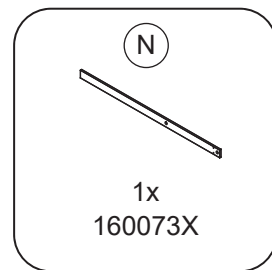
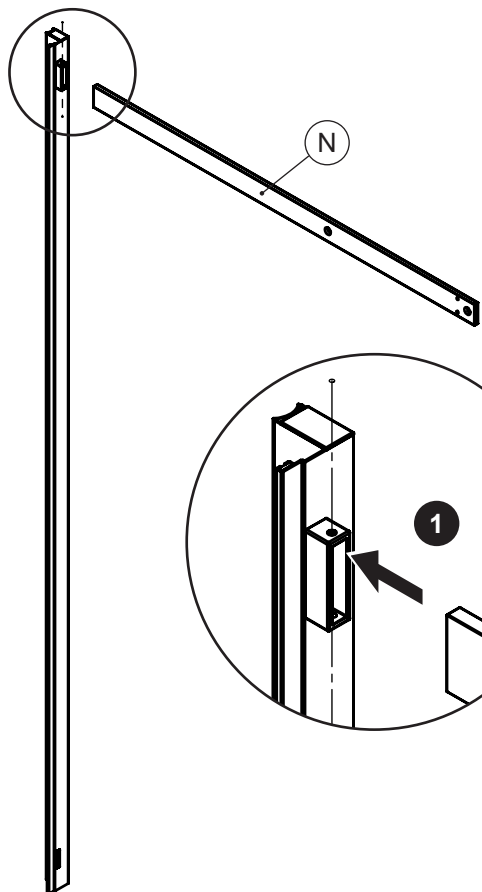
27



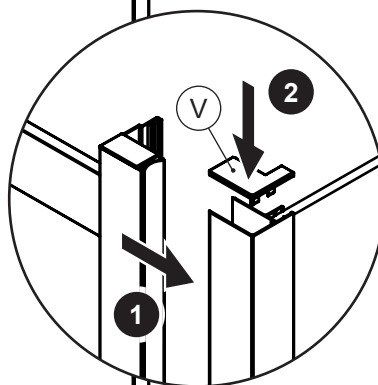
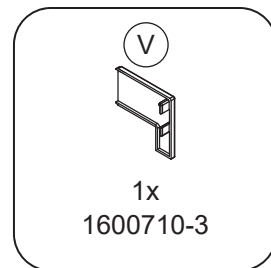
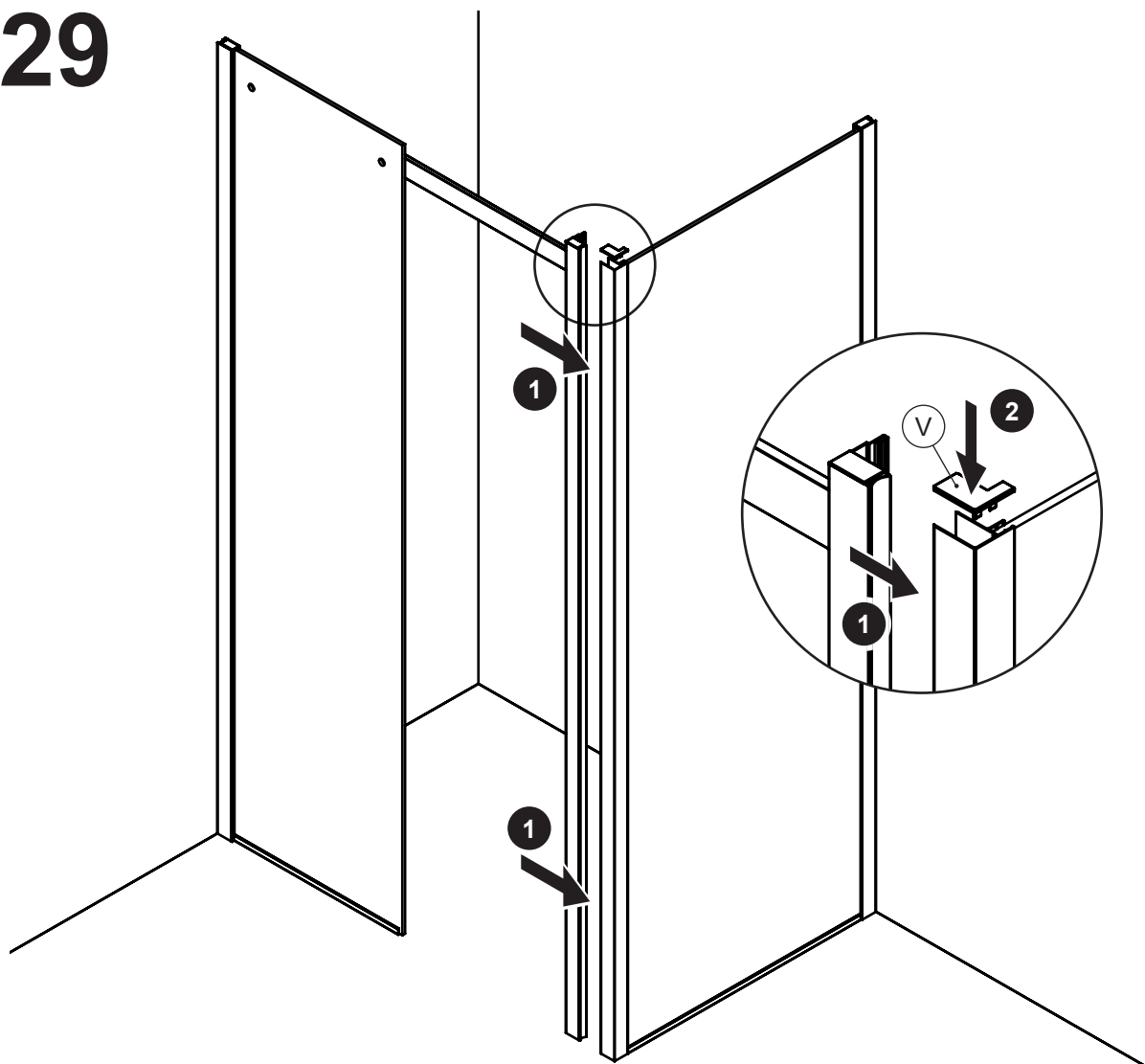
(E)  1x 1600710-2	(I)  1x 1600736-1	(J)  2x 1600736-4
(K)  2x 1600736-2	(L)  2x 1600736-3	(M)  1x 1600706



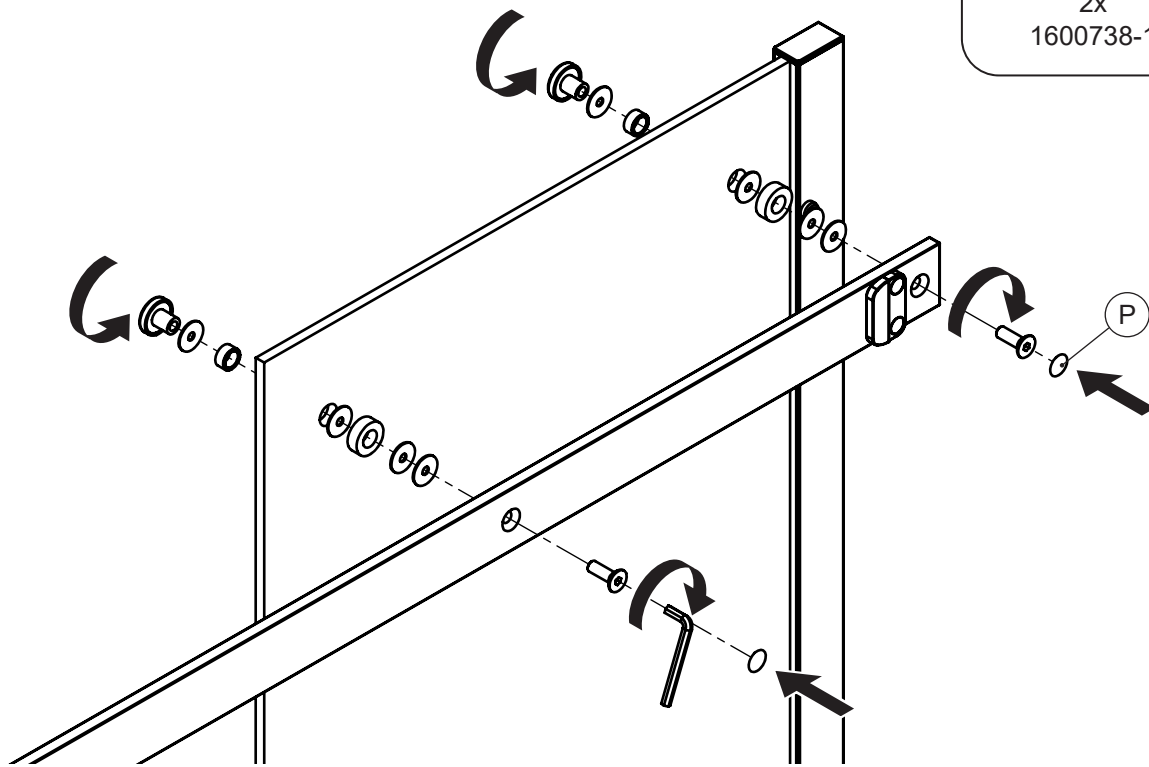
28



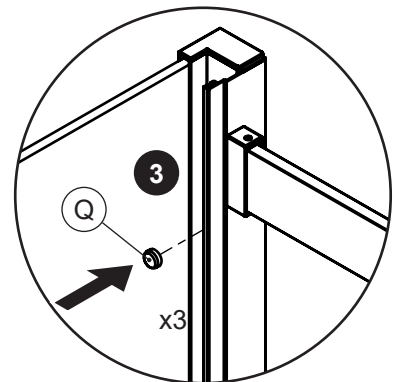
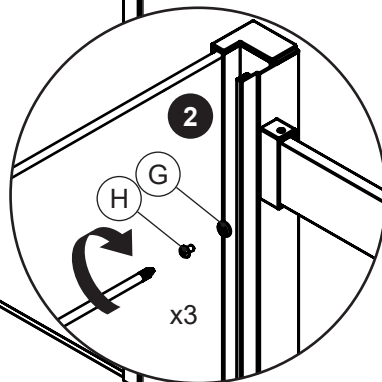
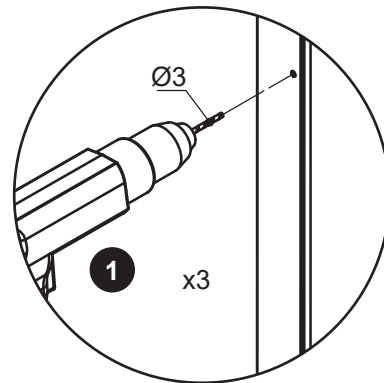
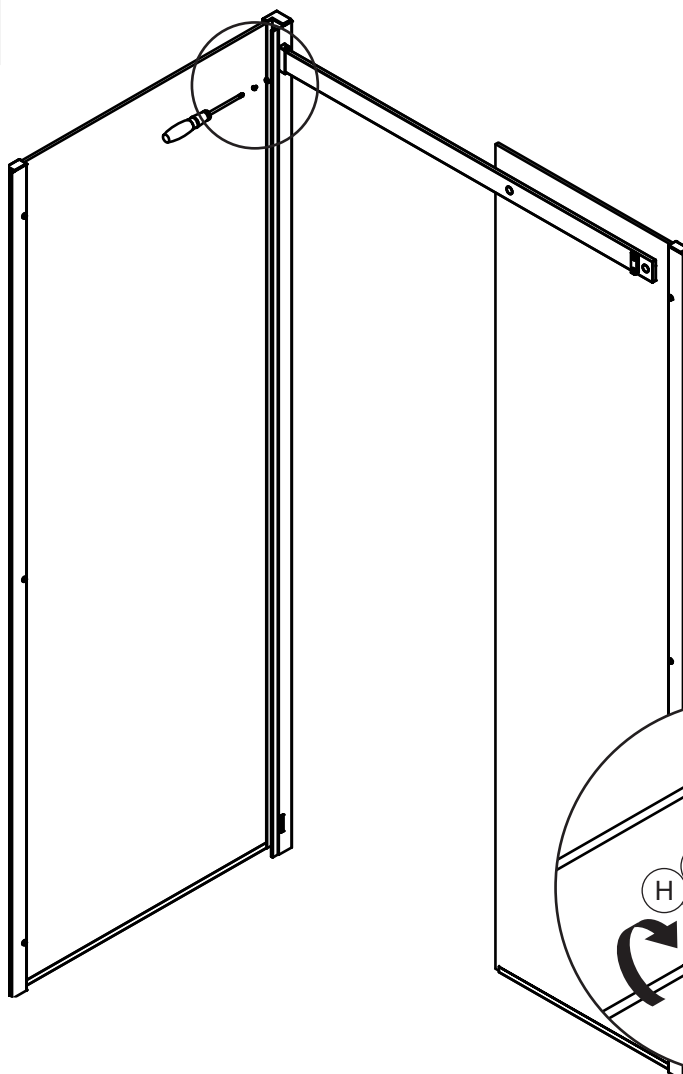
29



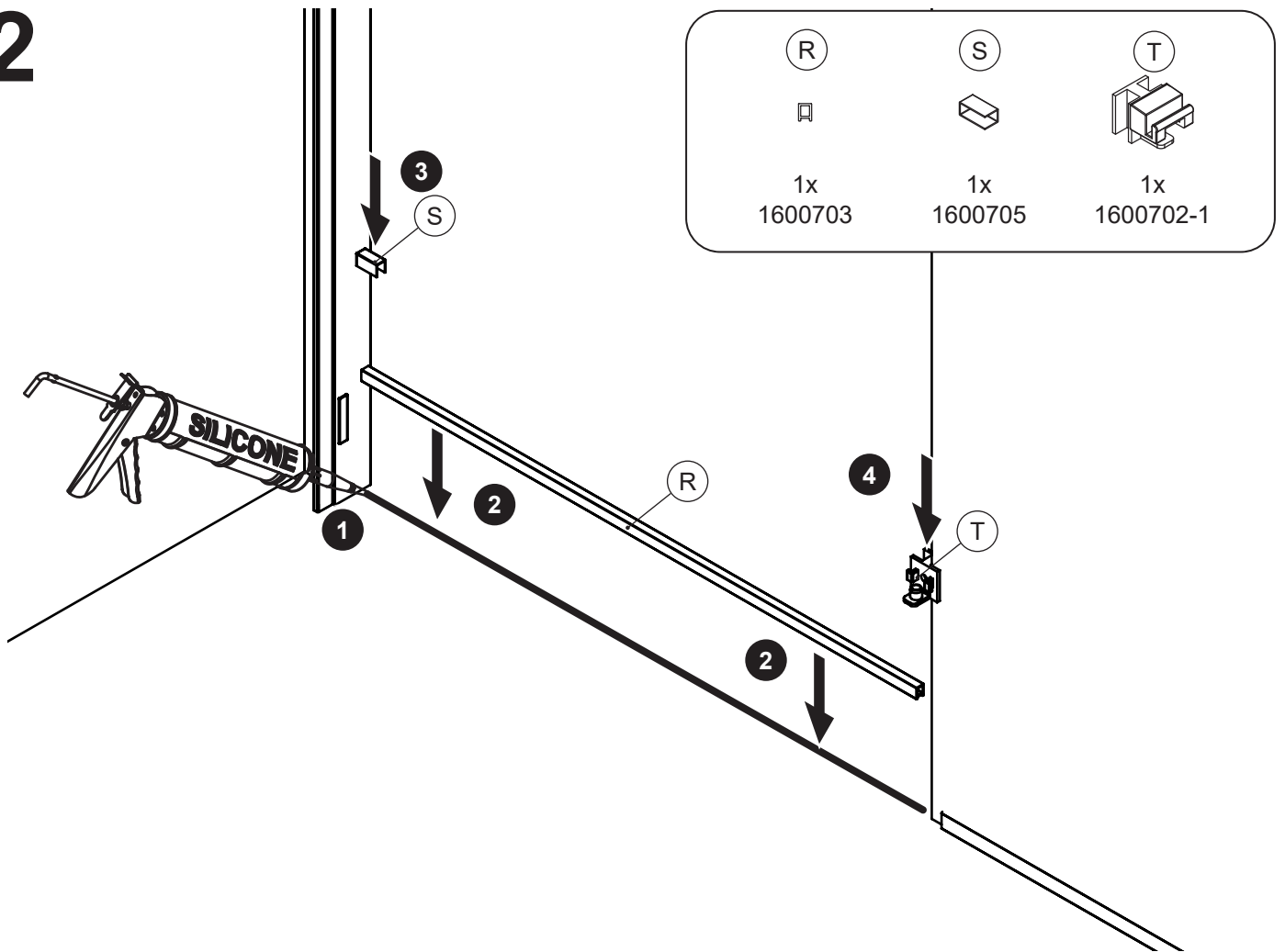
30



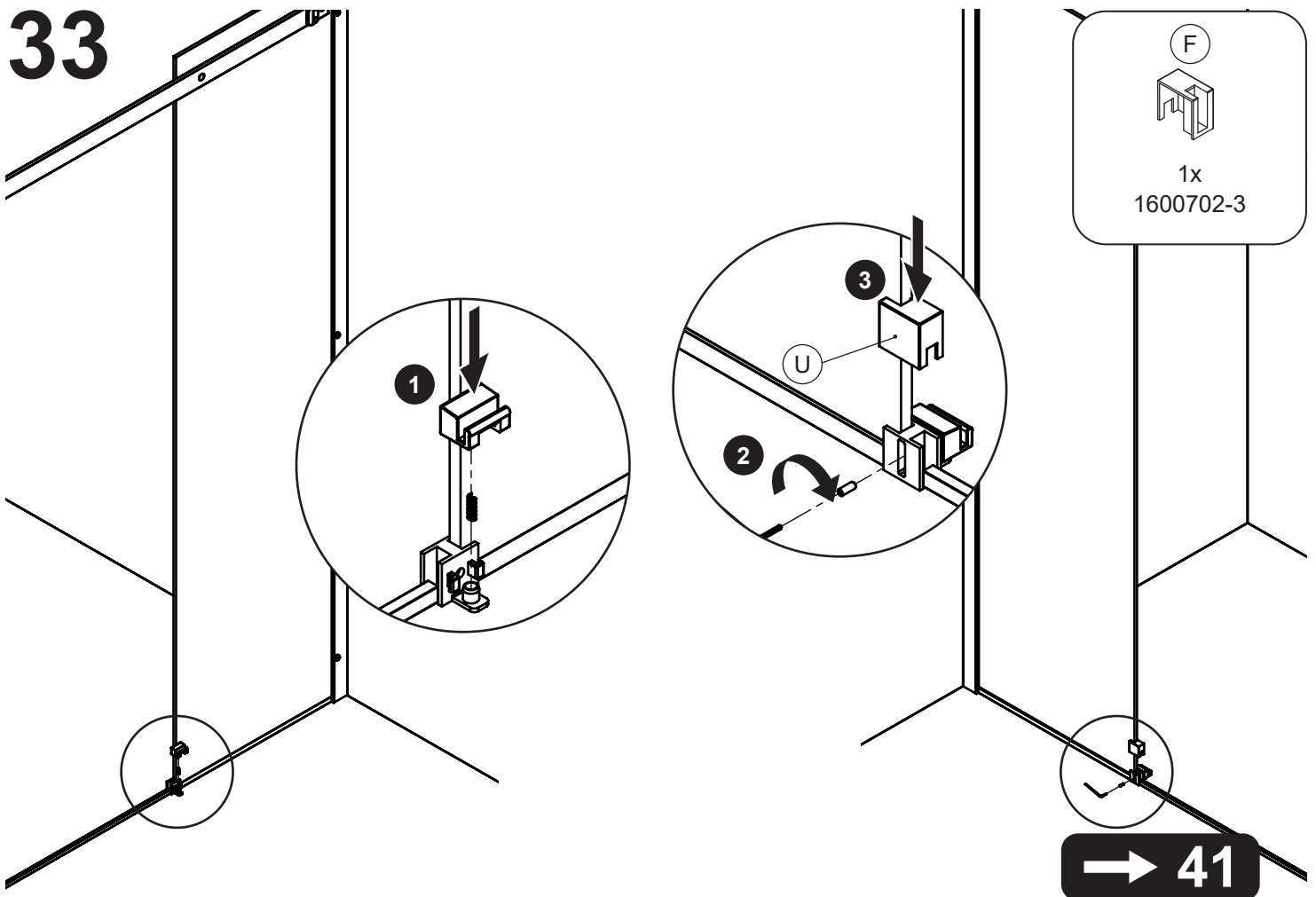
31



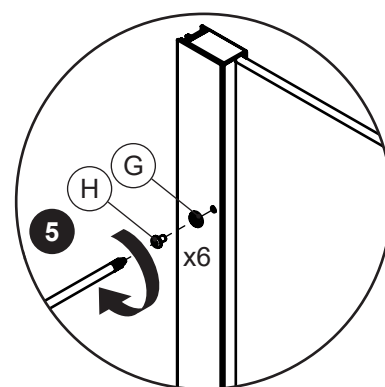
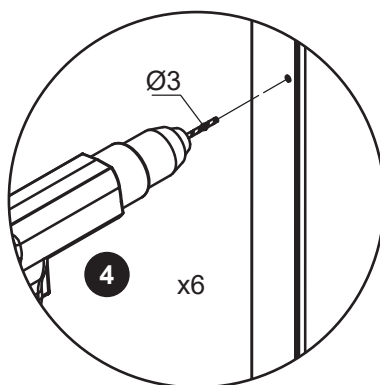
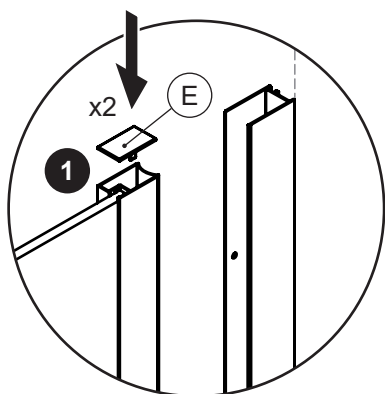
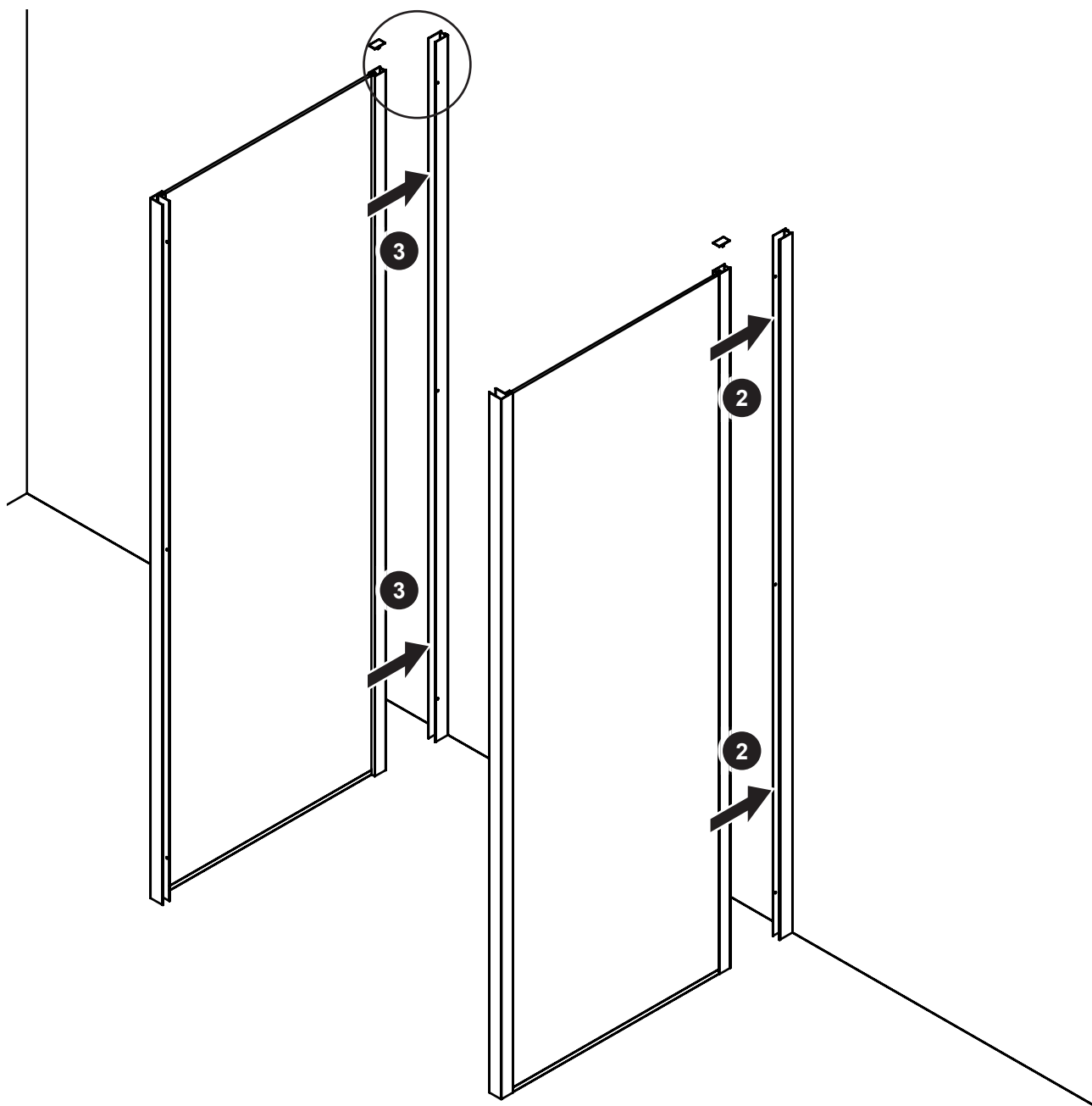
32








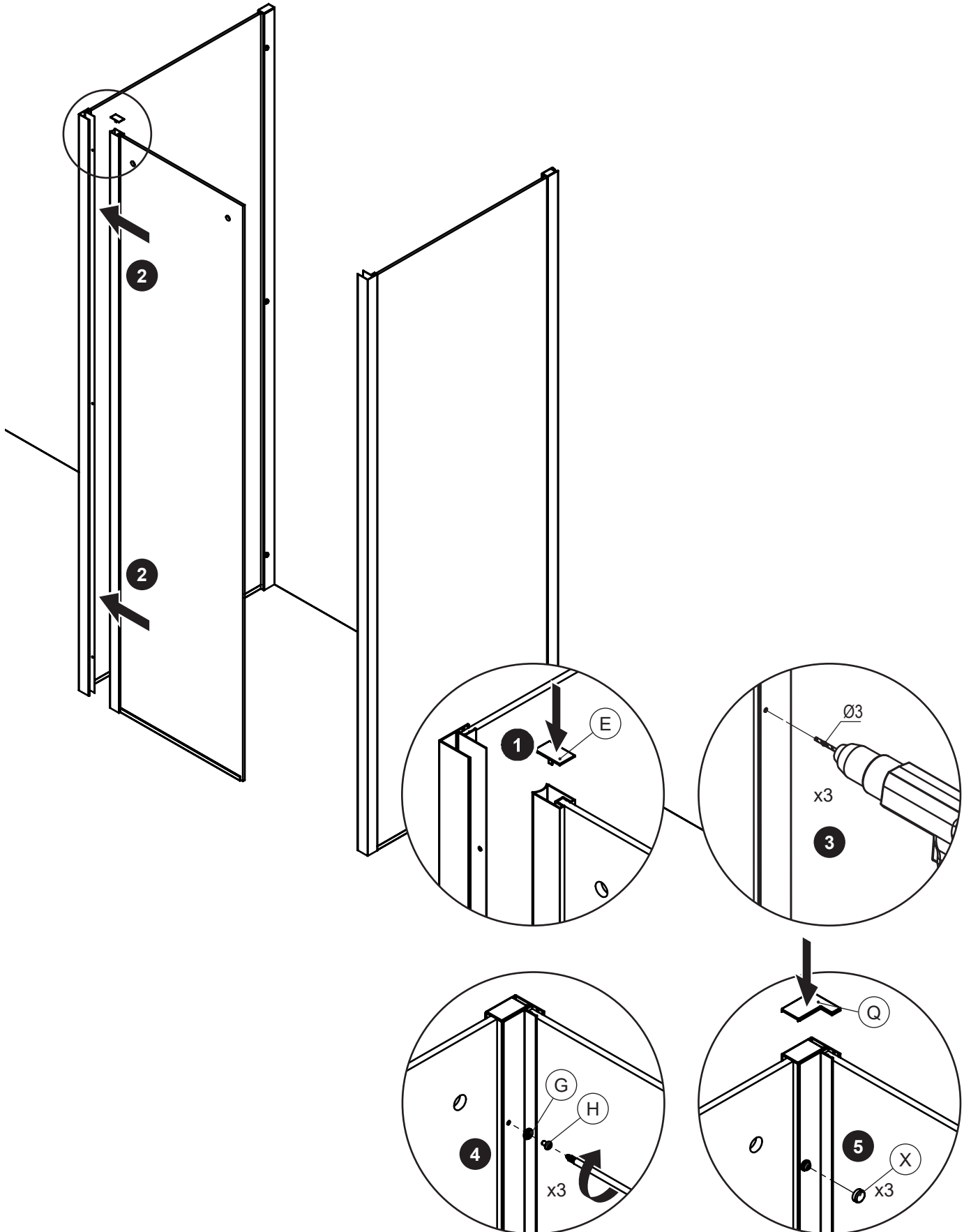
33



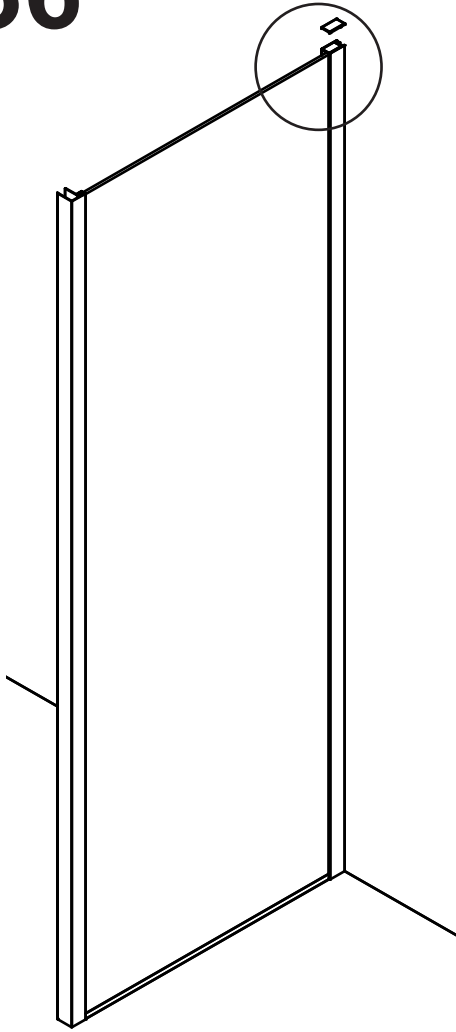
		
2x 1600710-2	6x 1600708-3	6x 1600708-1



				
1x 1600710-2	3x 1600708-3	3x 1600708-1	3x 1600708-2	1x 1600710-4

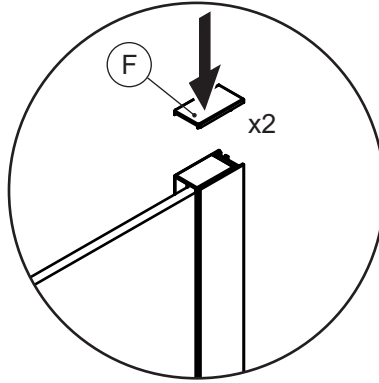


36

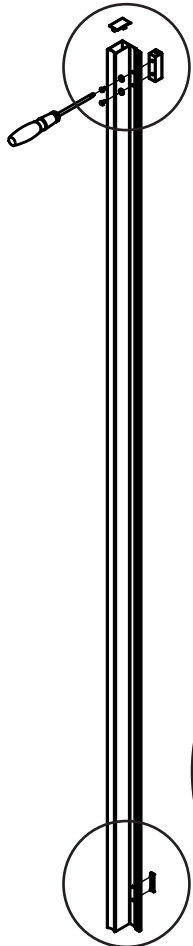


(F)

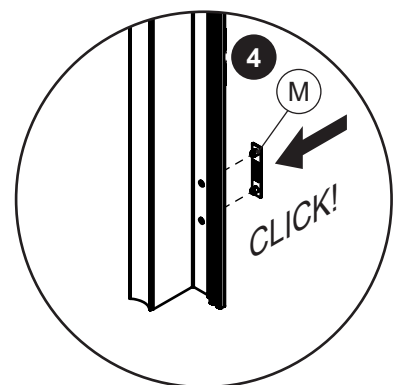
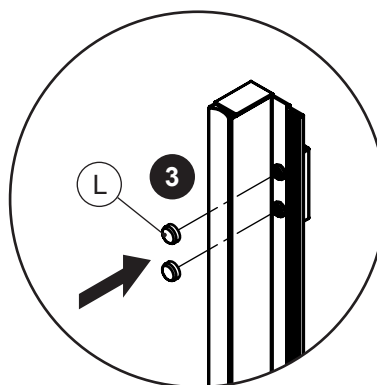
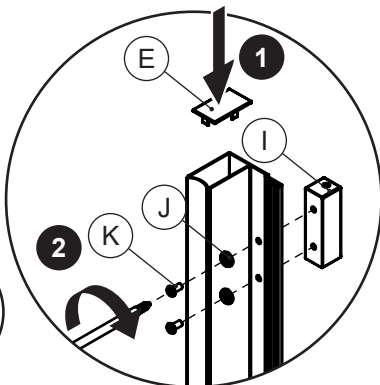
1x
1600710-1



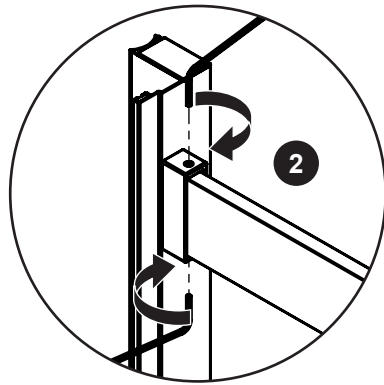
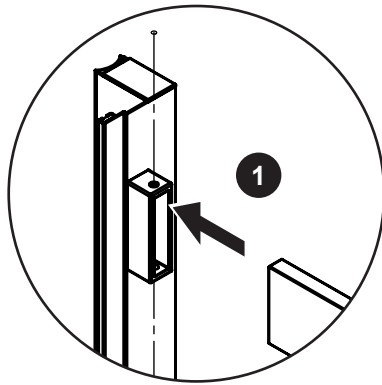
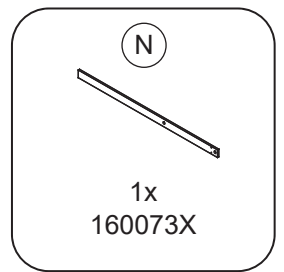
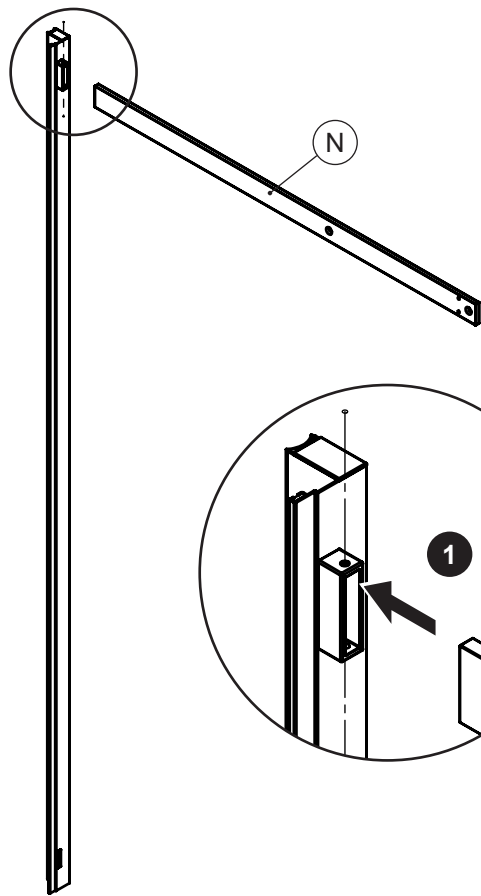
37



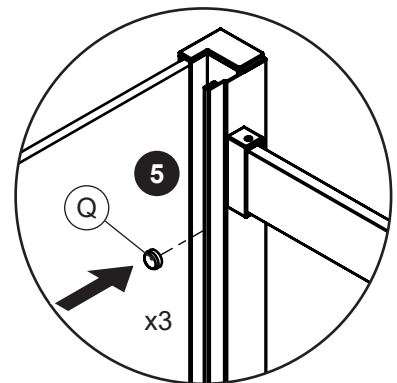
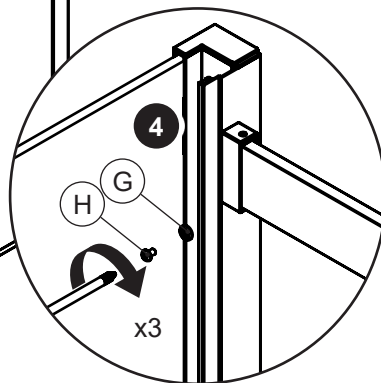
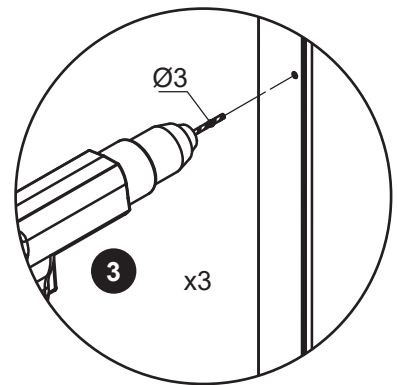
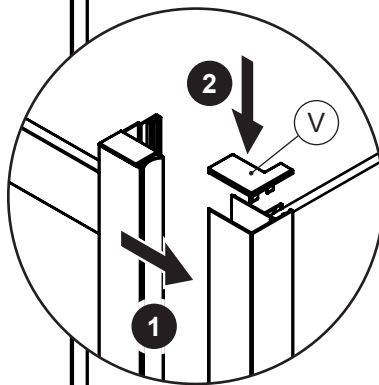
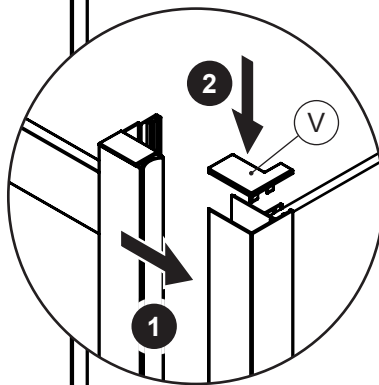
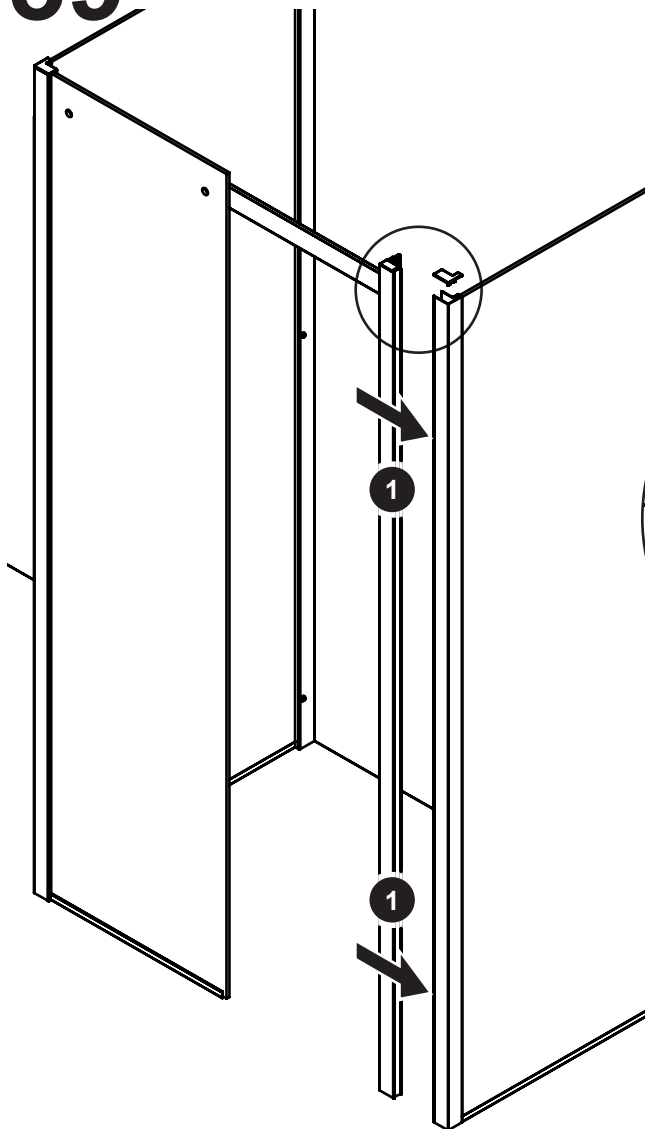
(E)	(I)	(J)
1x 1600710-2	1x 1600736-1	2x 1600736-4
(K)	(L)	(M)
2x 1600736-2	2x 1600736-3	1x 1600706



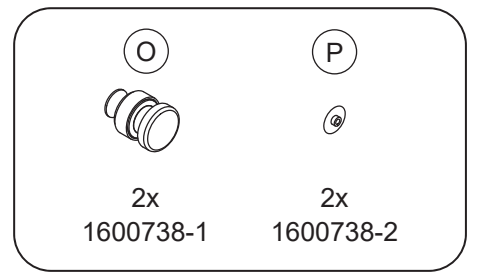
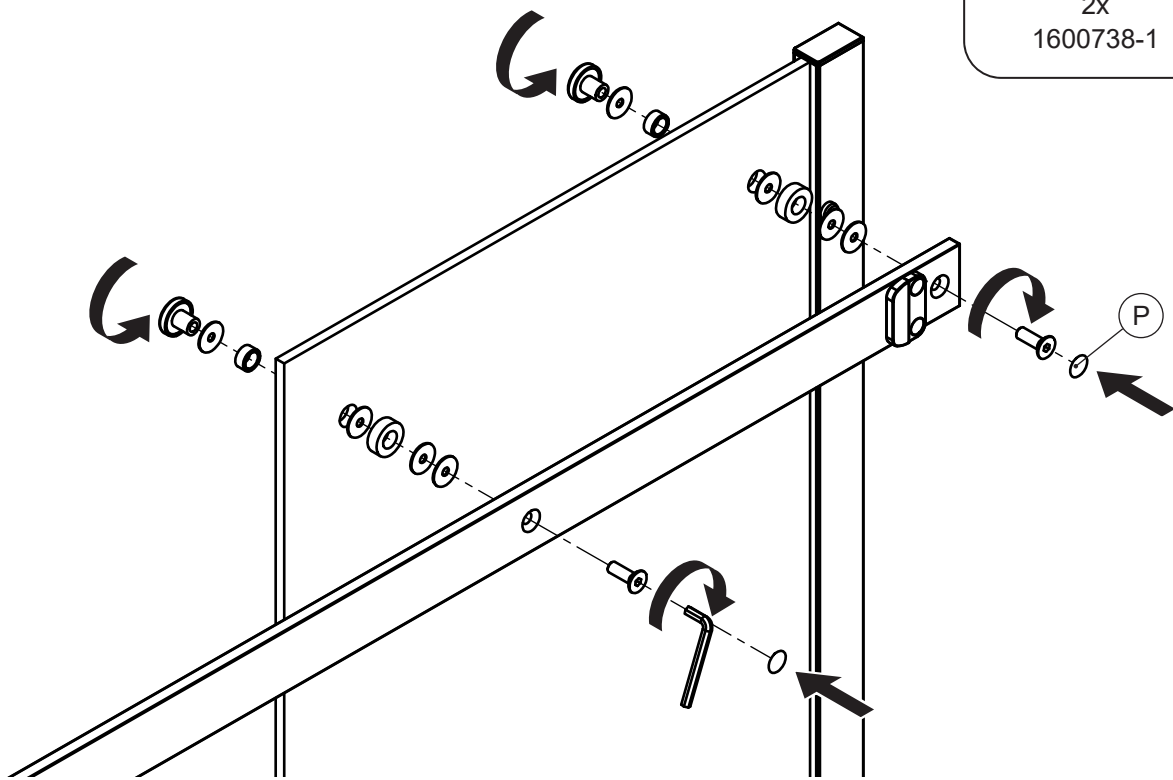
38



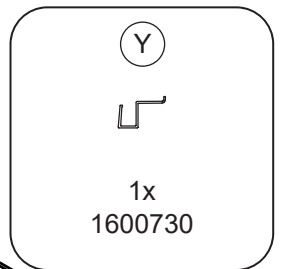
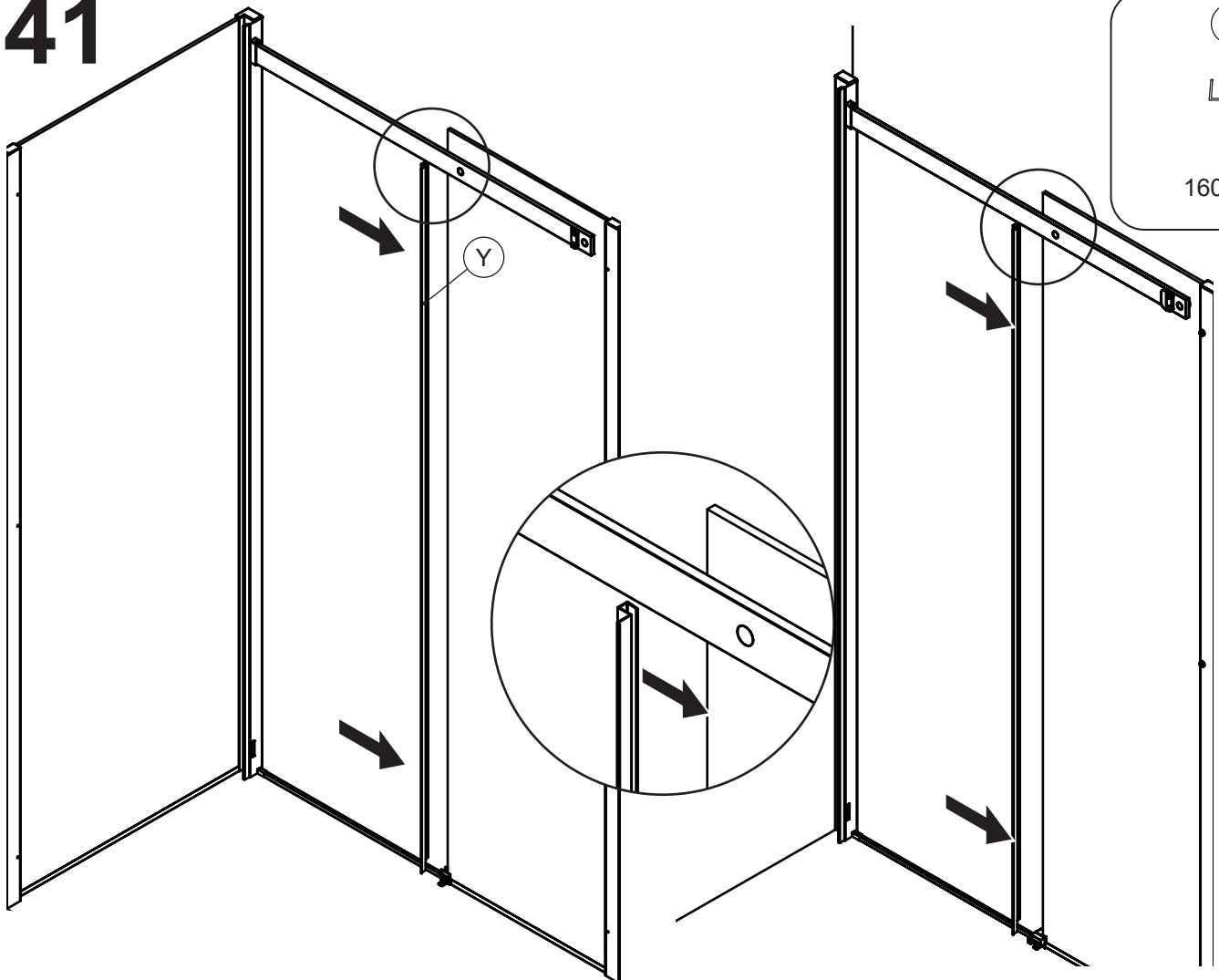
39



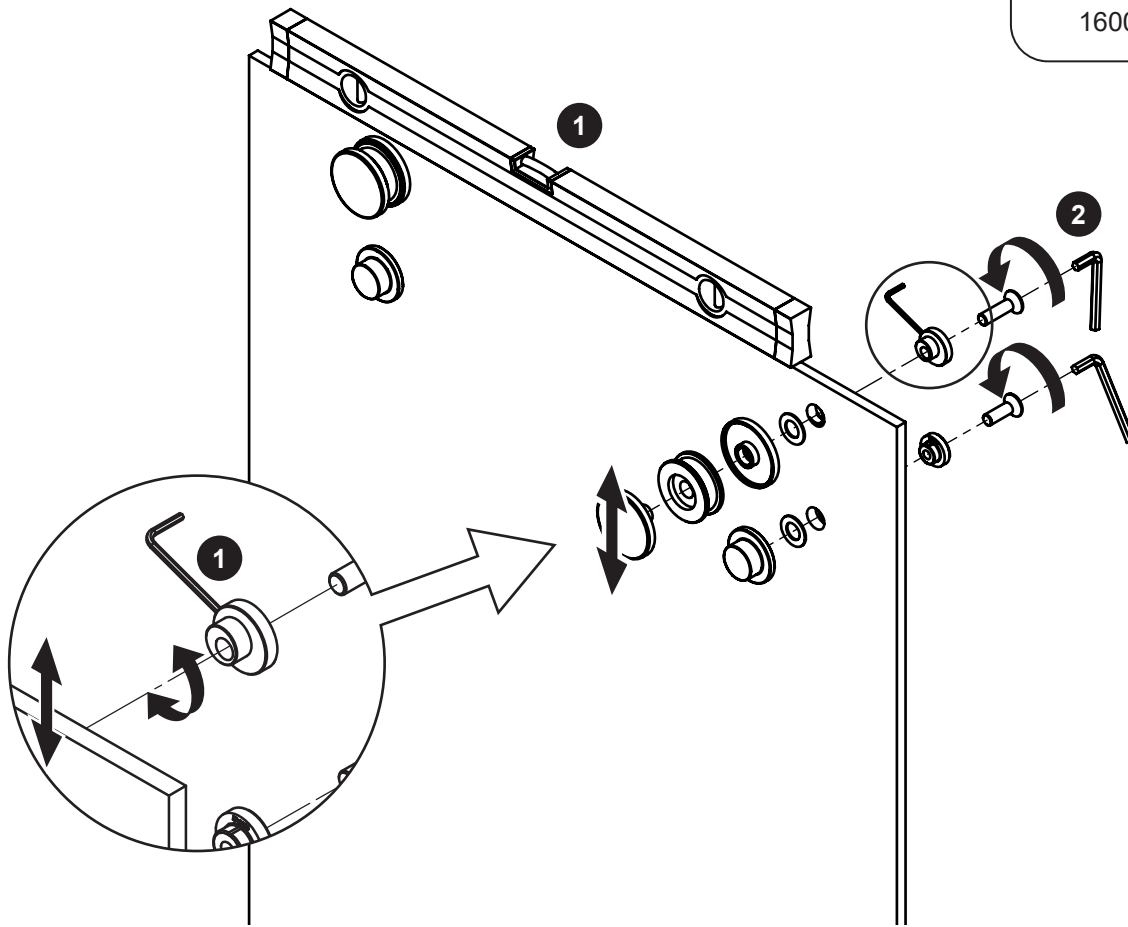
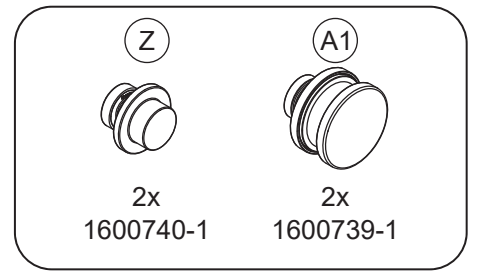
40



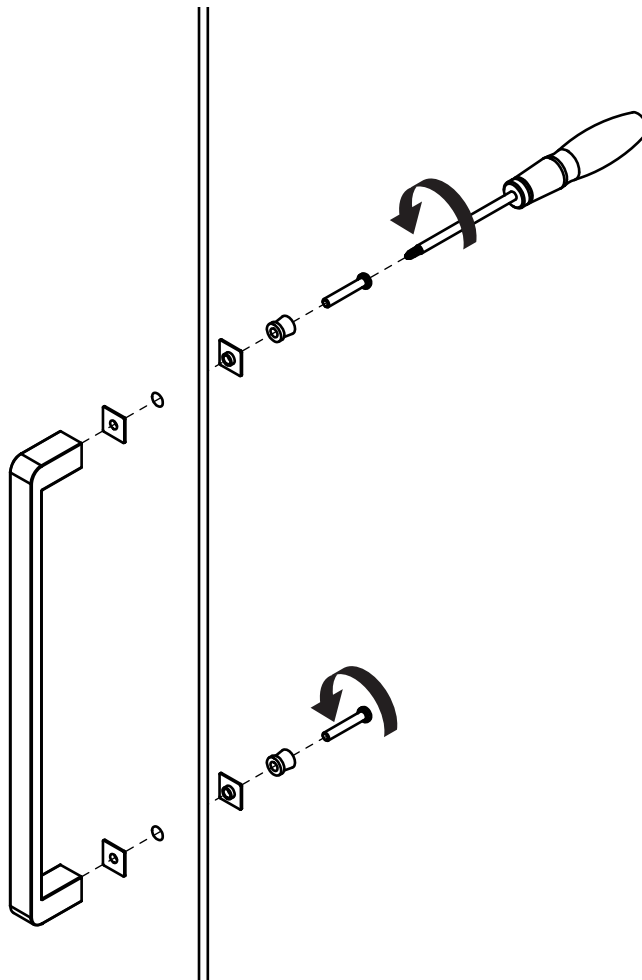
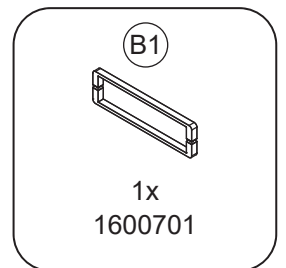
41



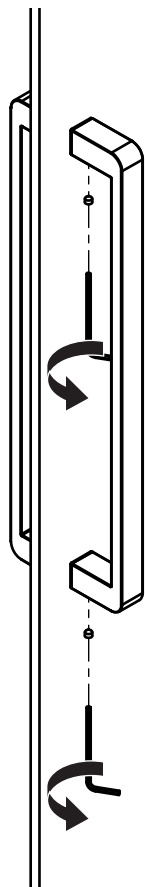
42



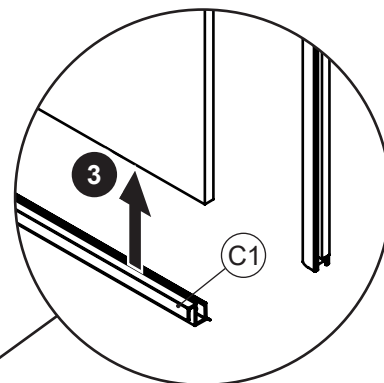
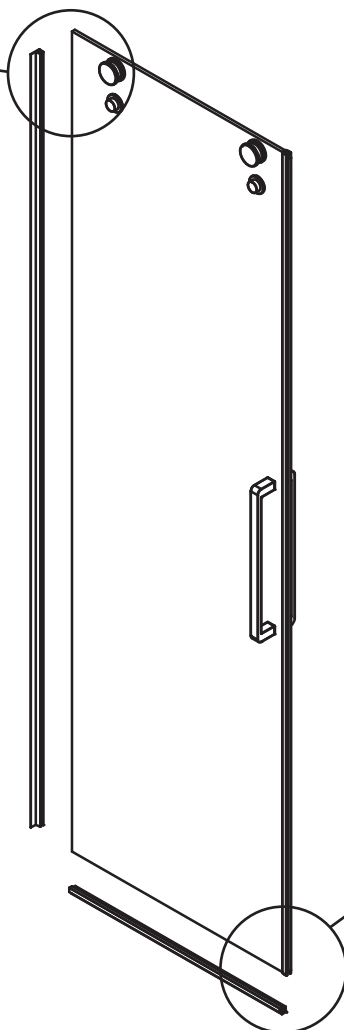
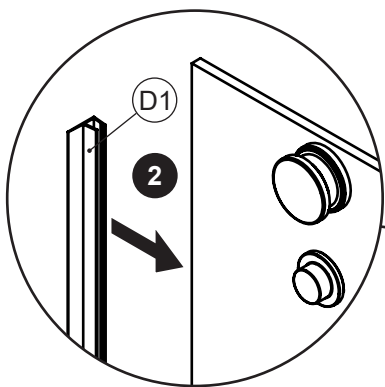
43







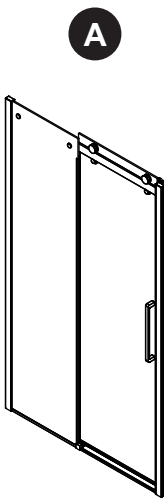
44



45

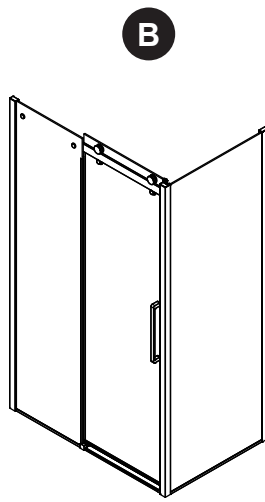


	
	
1x 1600732	1x 1600731



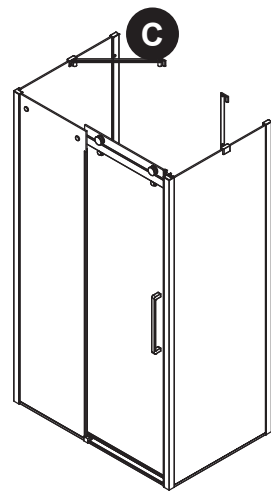
A

→ 46



B

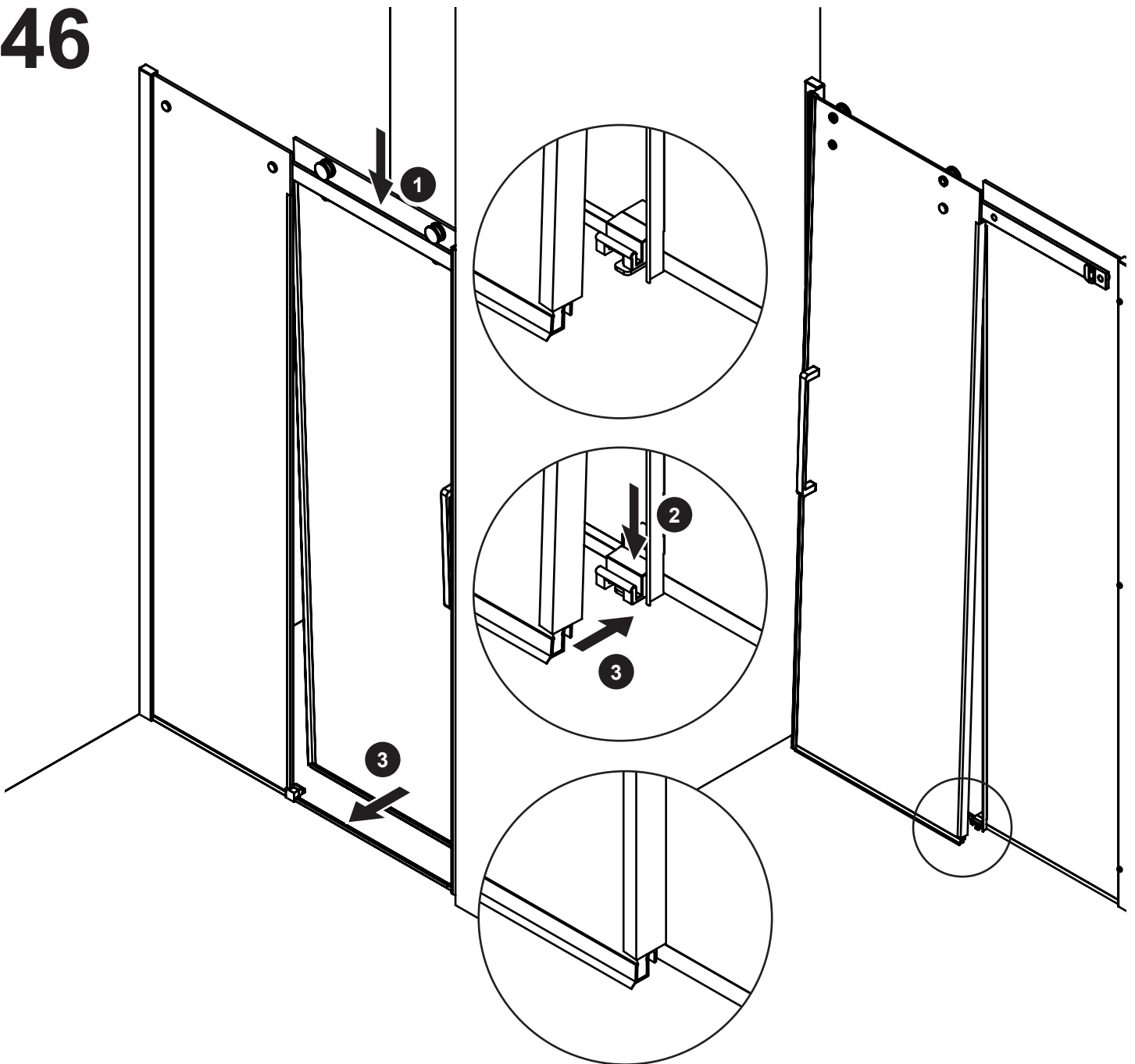
→ 47



C

→ 48

46



→ 50

