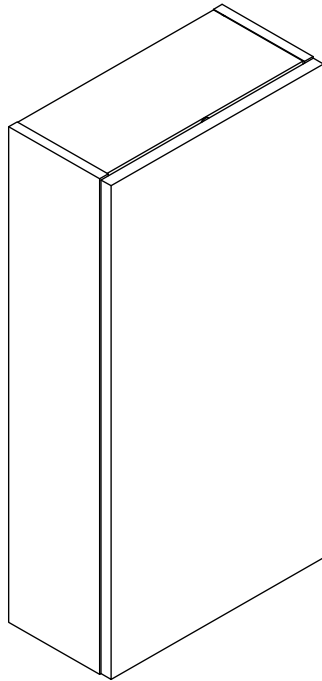
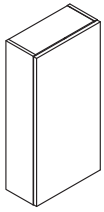




DANSANI
BATHROOM DESIGN





6x
5-500



6x
5,0-60SU



6x
390010067



8x
415533



2x
3,5-20SU



2x
390010110



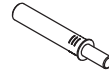
1x
190320150



2x
4,0-16LH



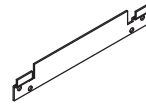
1x
190320152



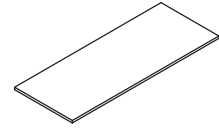
1x
190320154-2



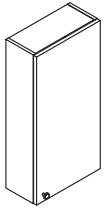
1x
190320154-3



1x
5462x0046



2x
8208x1301



6x
5-500



6x
5,0-60SU



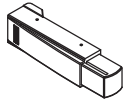
6x
390010067



8x
415533



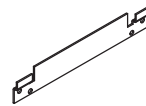
2x
3,5-20SU



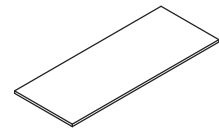
2x
190040610

0

2x
19500000

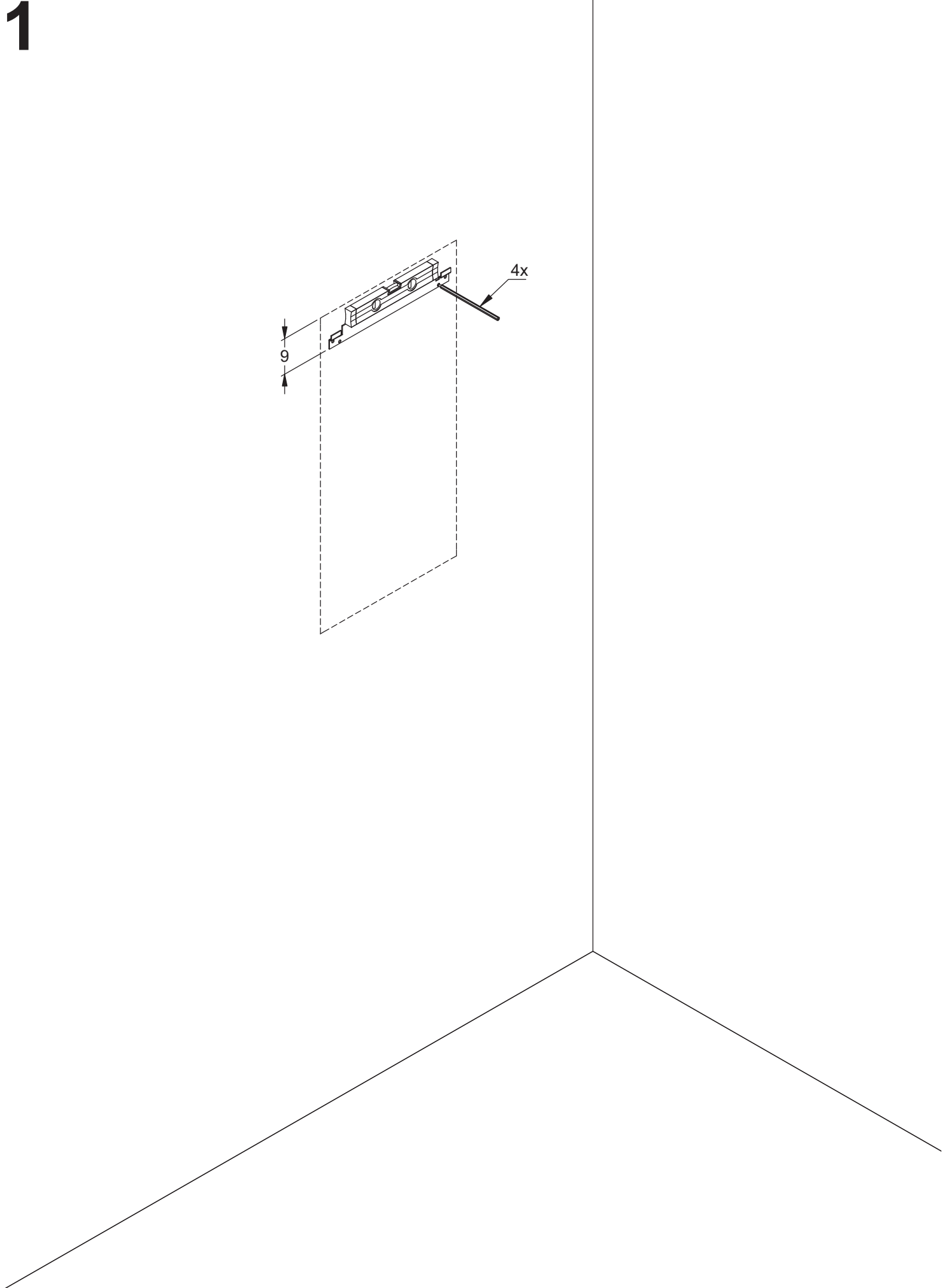
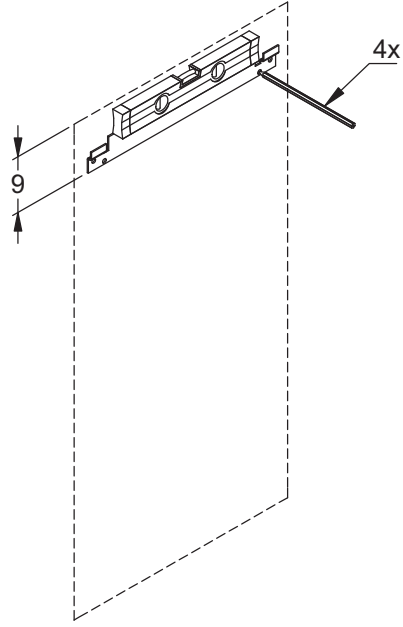


1x
5462x0046

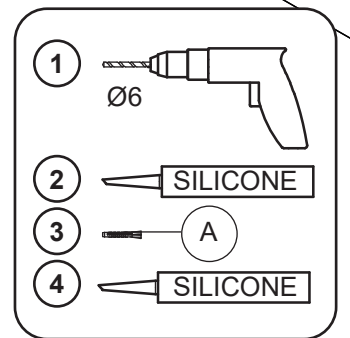
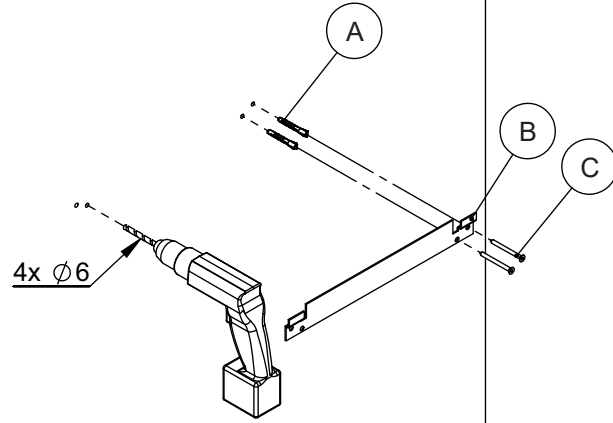
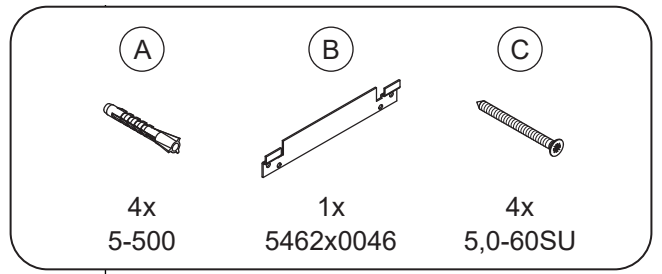


2x
8208x1301

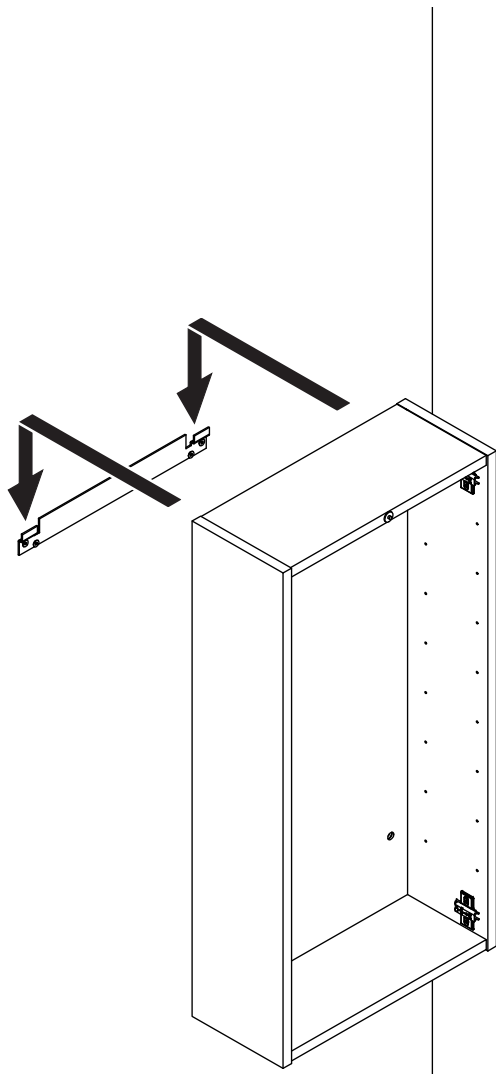
1



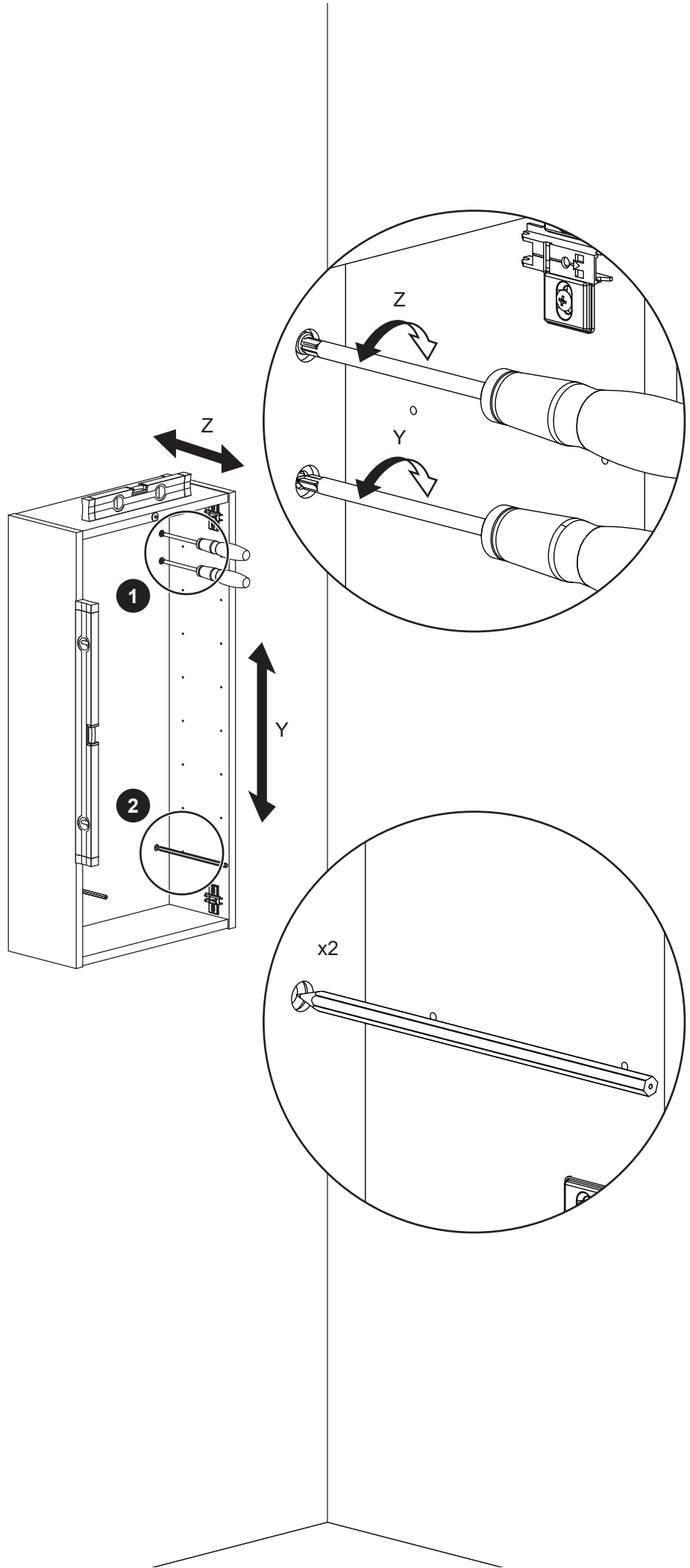
2



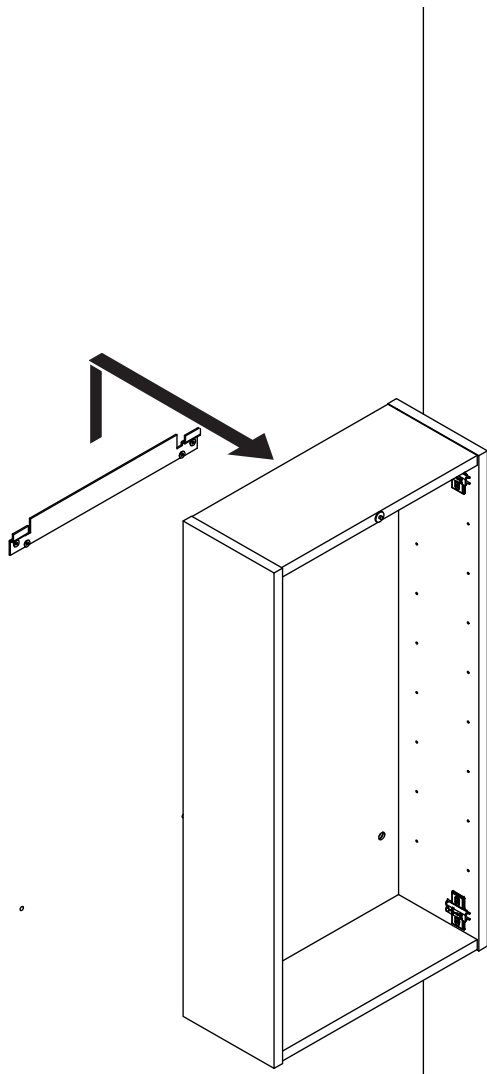
3



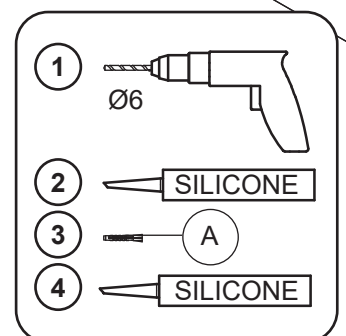
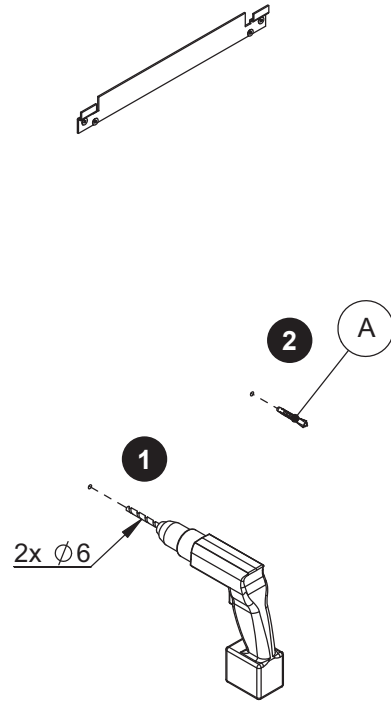
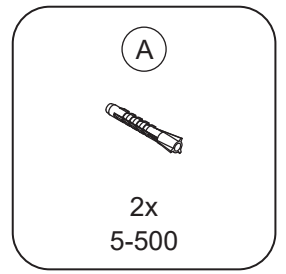
4



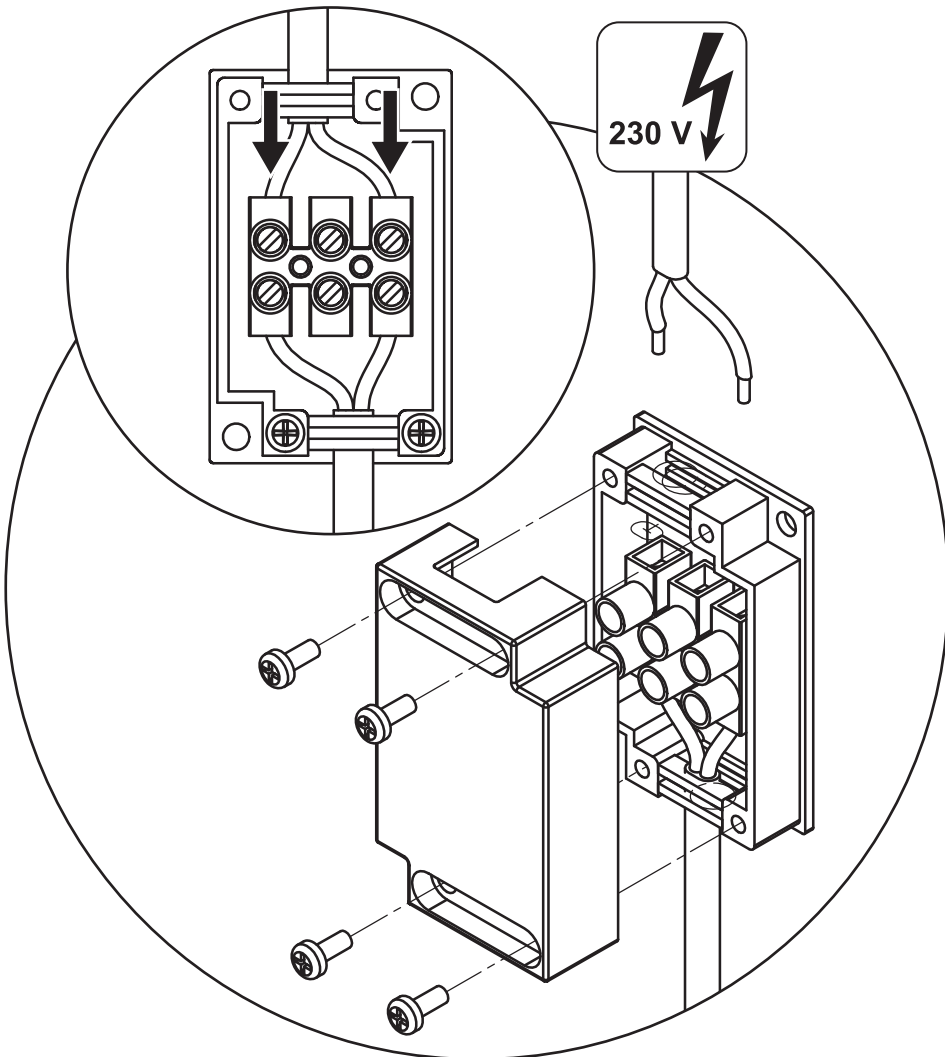
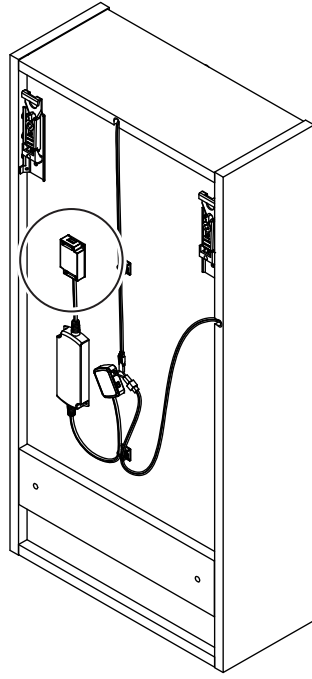
5



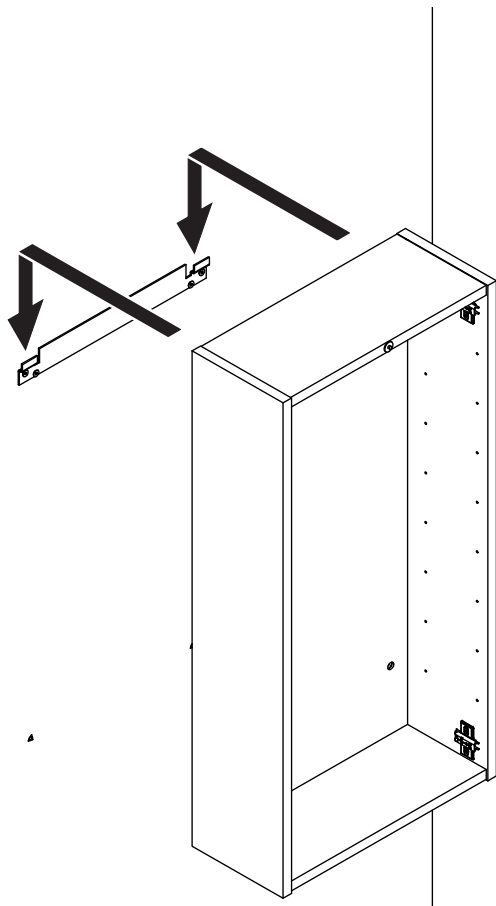
6



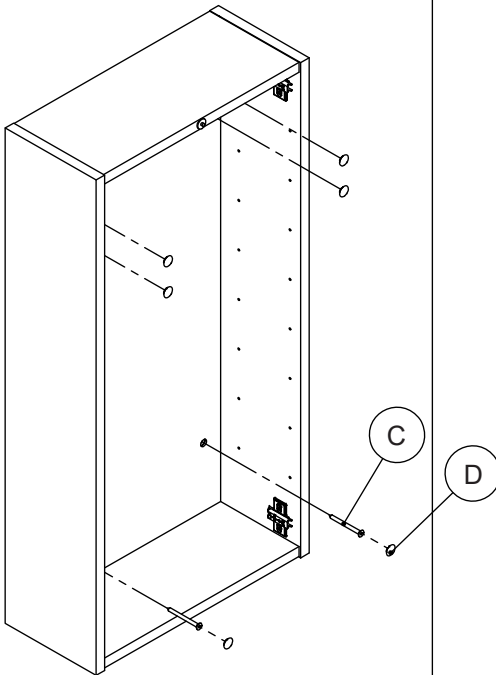
7







8

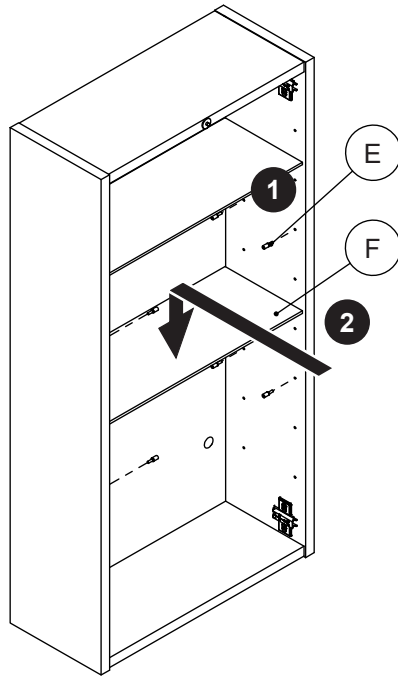
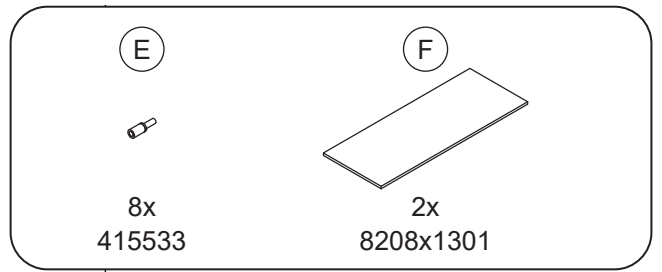


9



| | |
|---|---|
|  |  |
|  |  |
| 2x 5,0-60SU | 6x 390010067 |

10

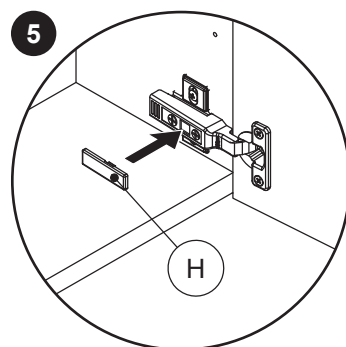
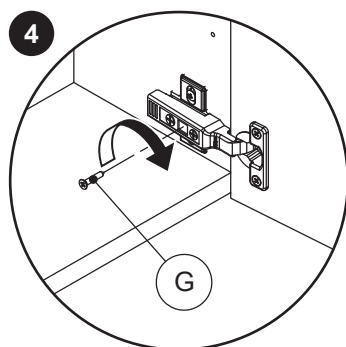
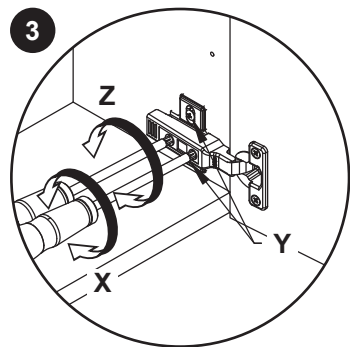
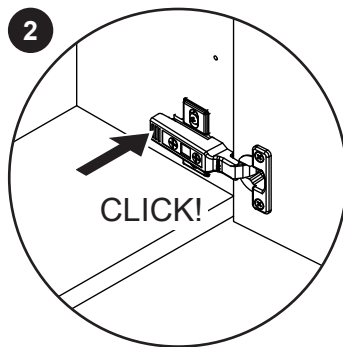
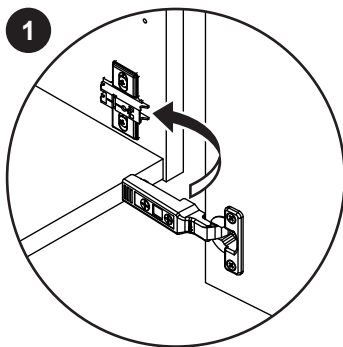
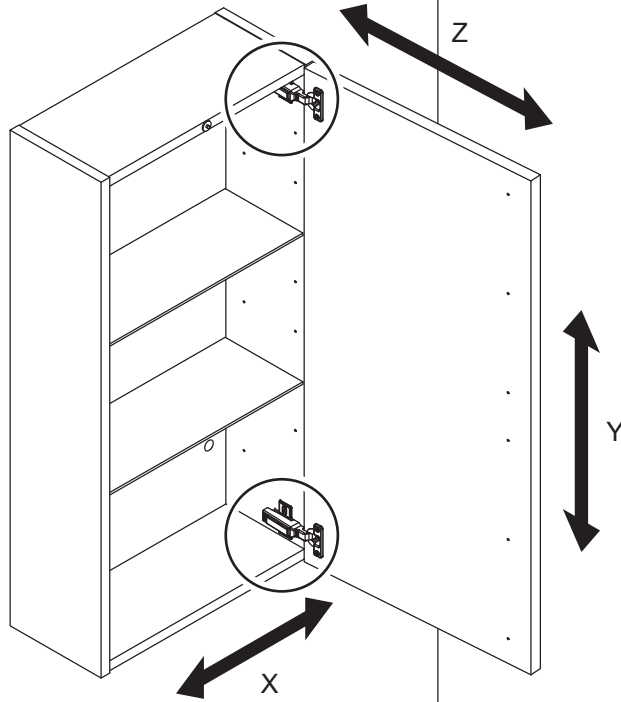
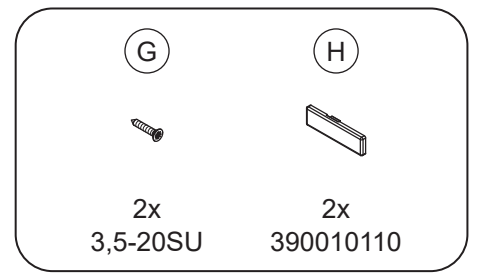


→ 11








→ 13

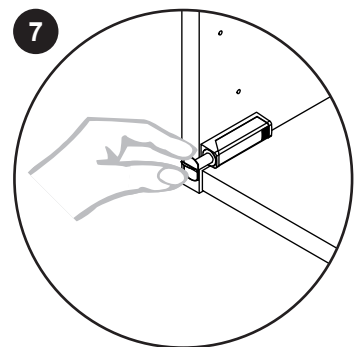
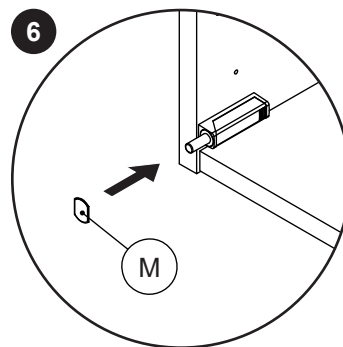
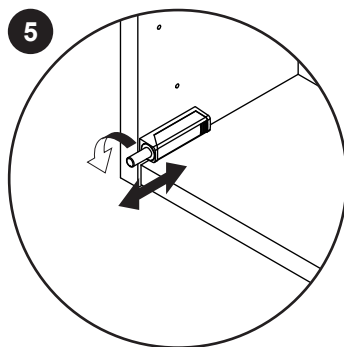
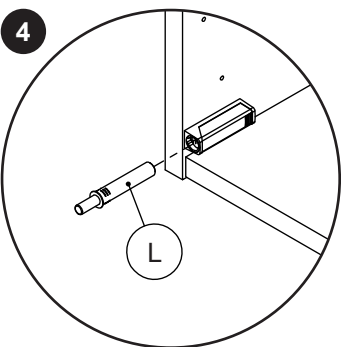
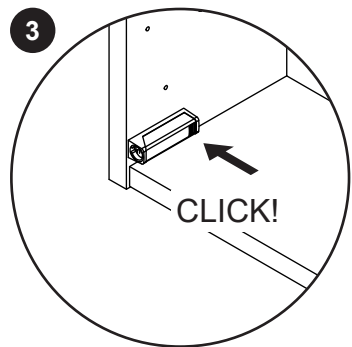
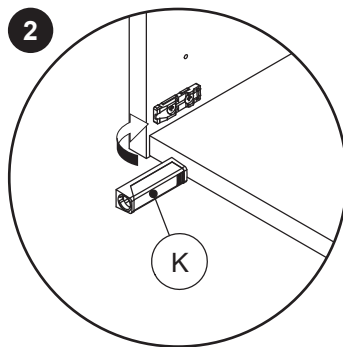
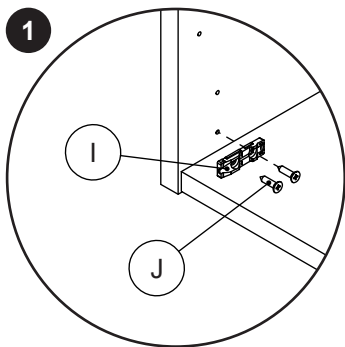
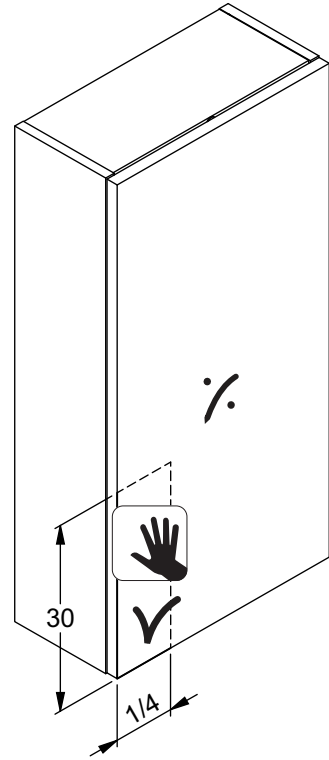
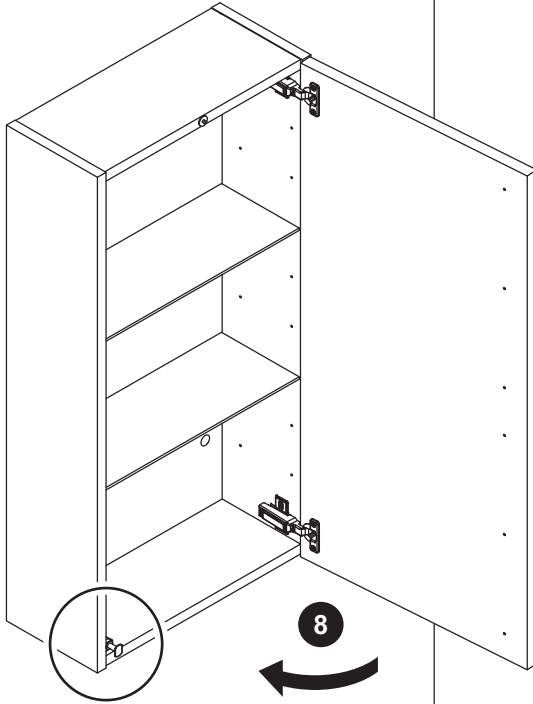
11



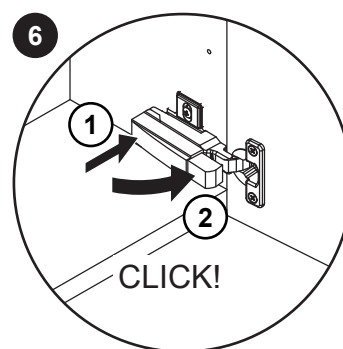
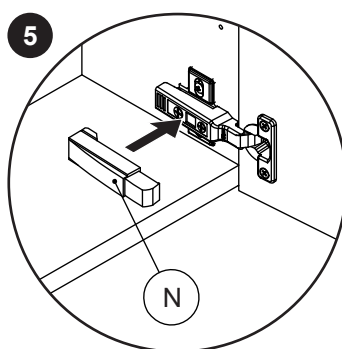
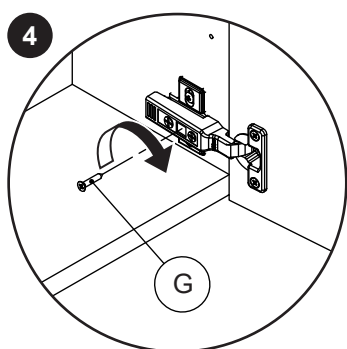
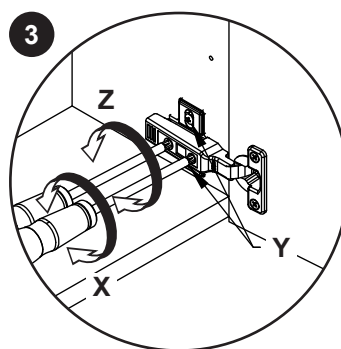
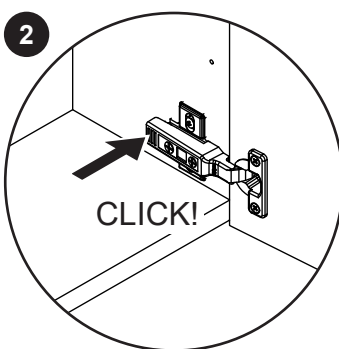
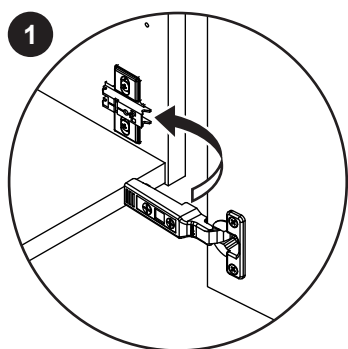
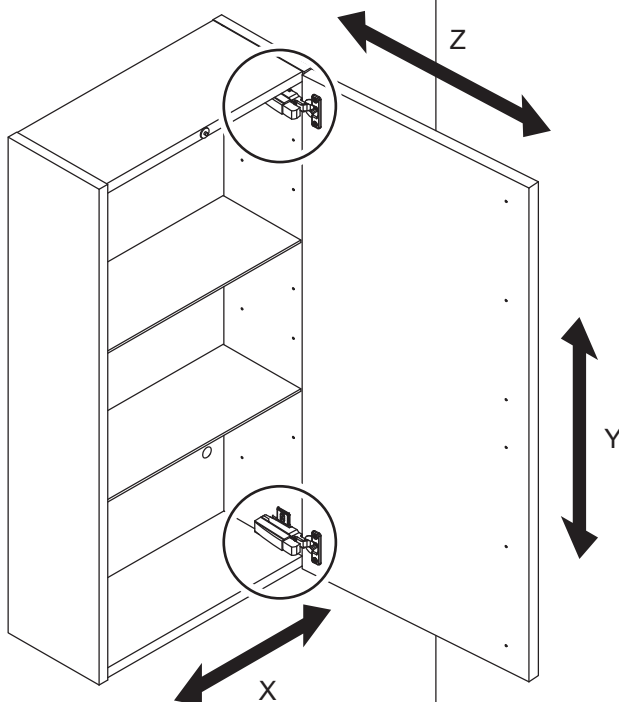
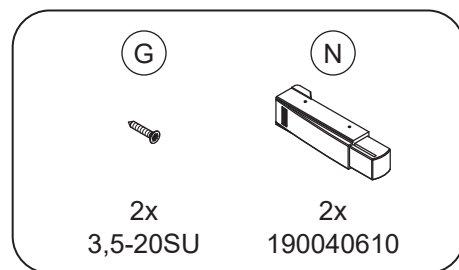
12



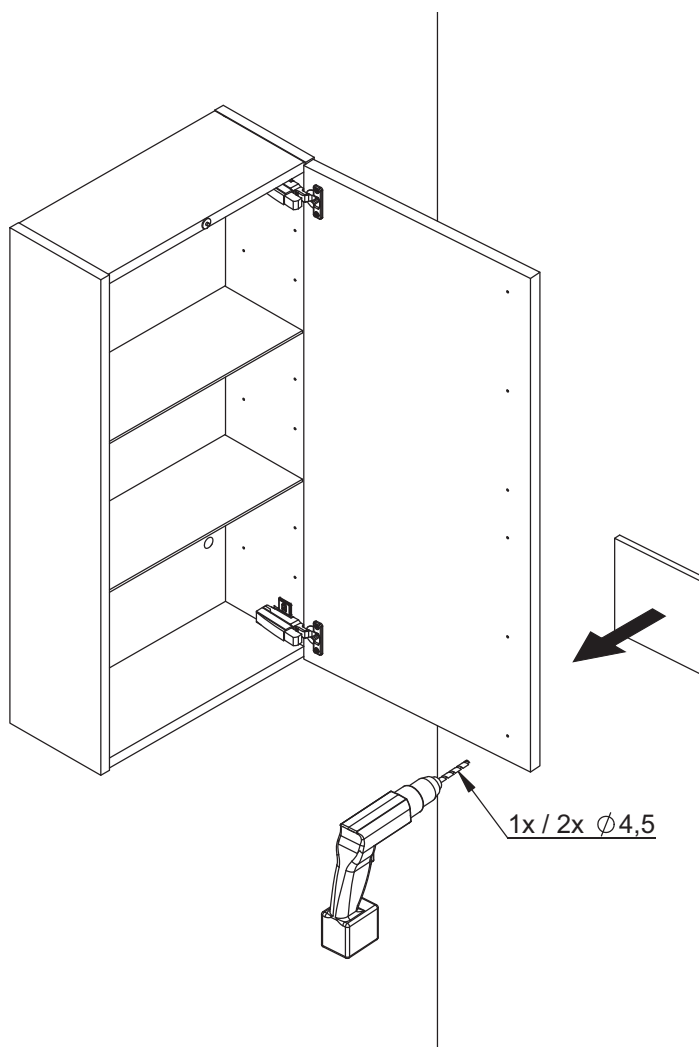
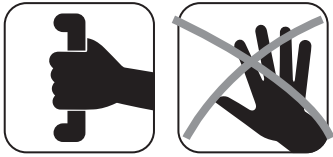
| | | | | |
|--|--|---|--|--|
|  |  |  |  |  |
| 1x 190320150 | 2x 4,0-16LH | 1x 190320152 | 1x 190320154-2 | 1x 190320154-3 |



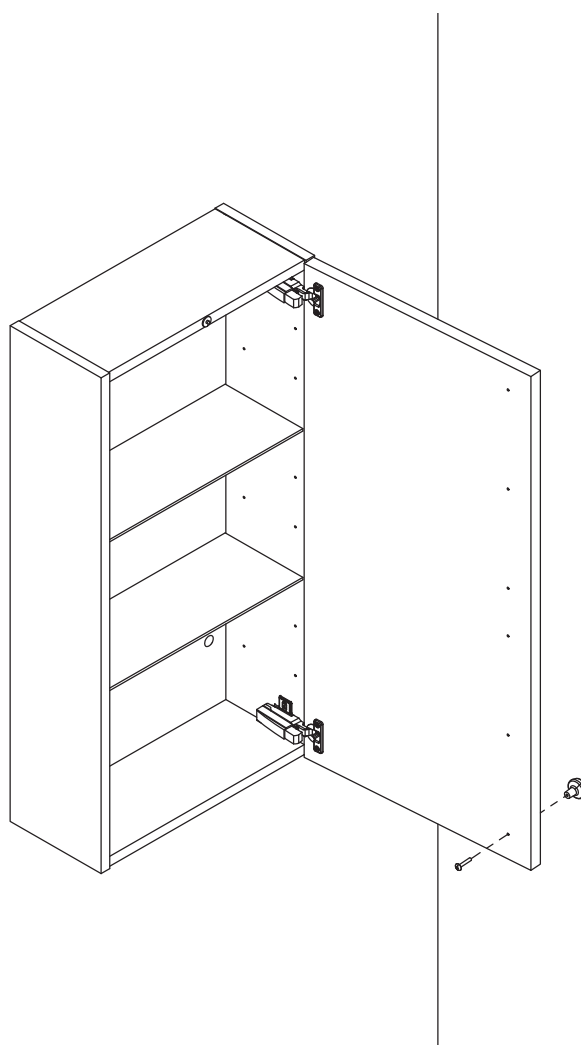
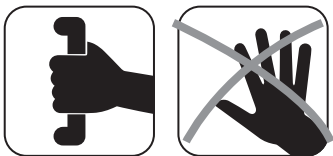
13



14A



14B



15

