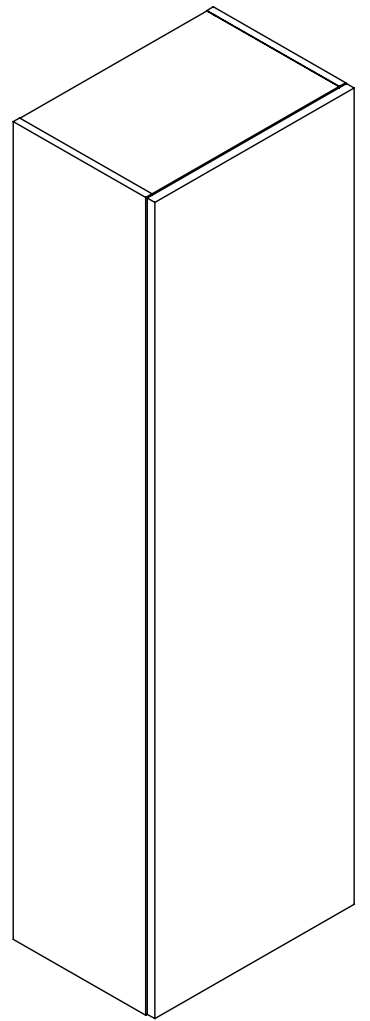
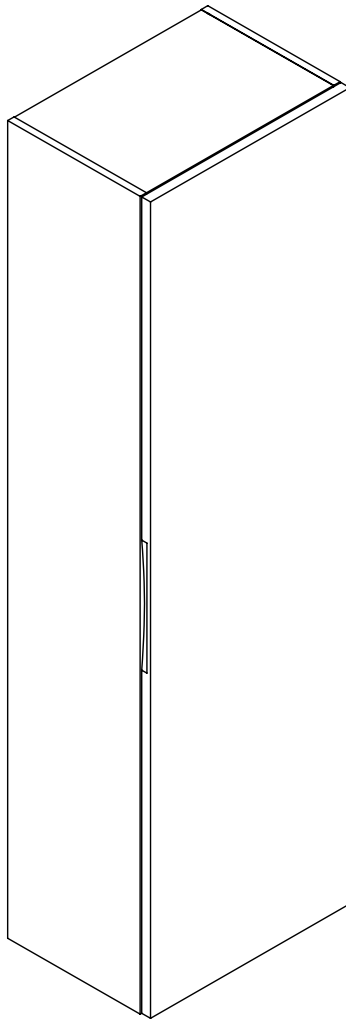
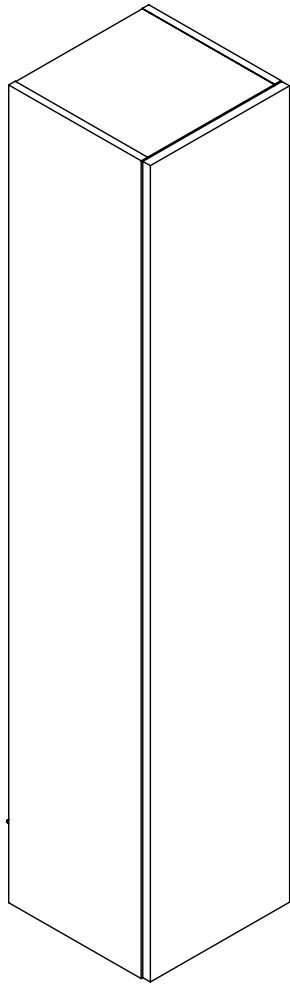
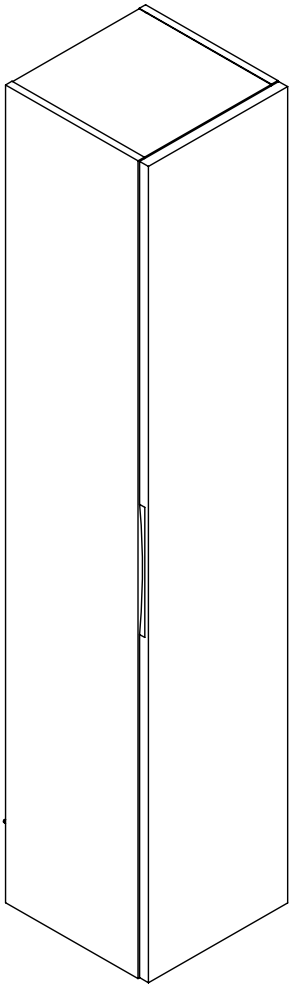
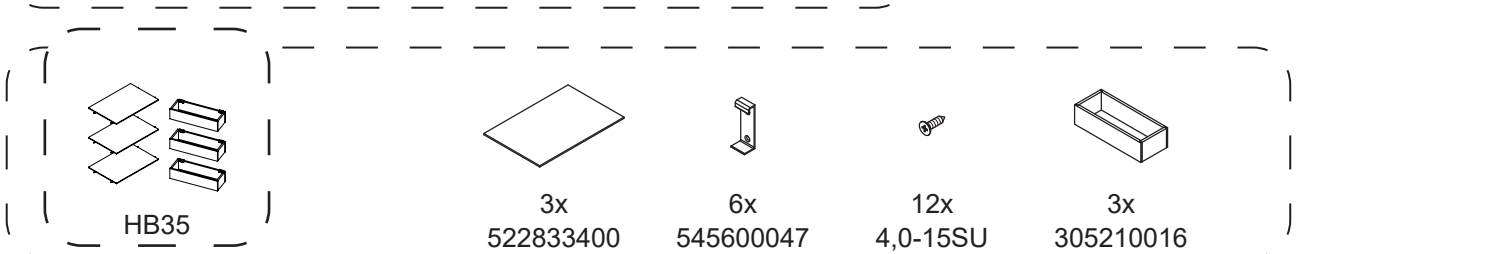
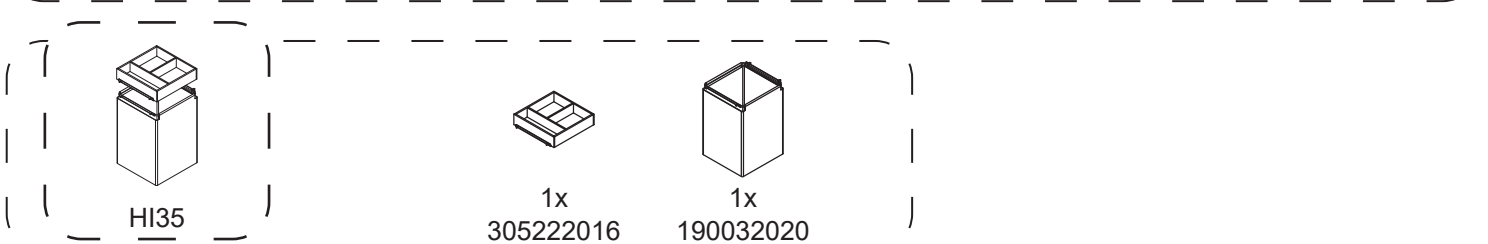
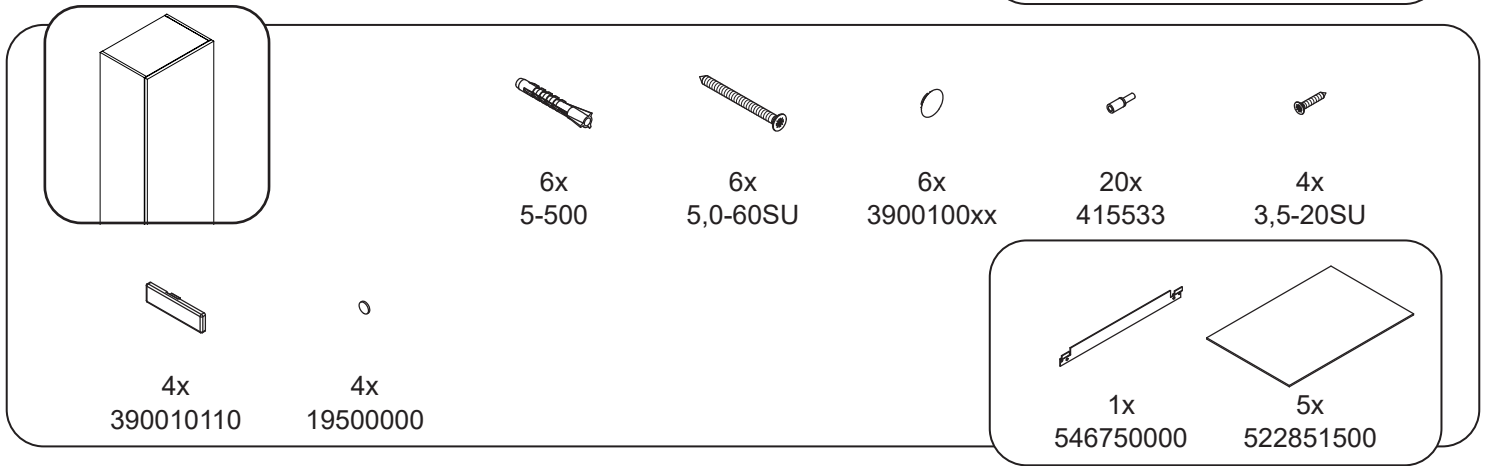
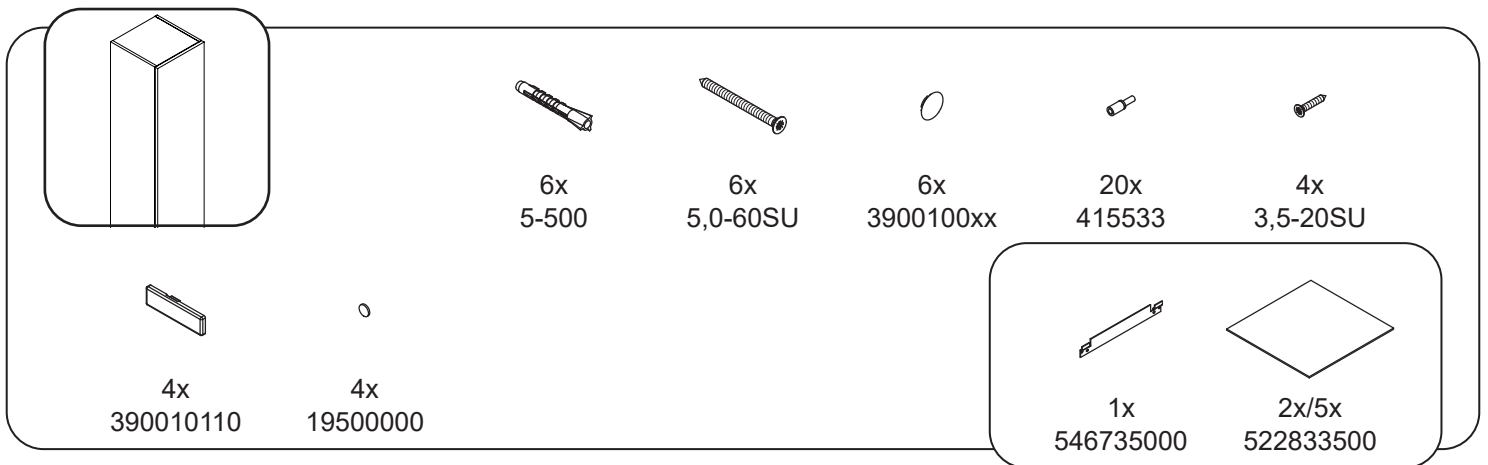


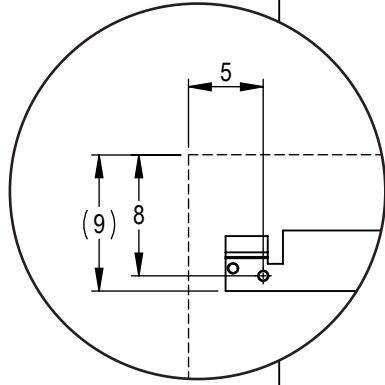
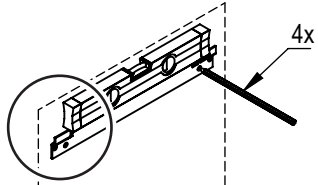


DANSANI
DANISH BATHROOM DESIGN

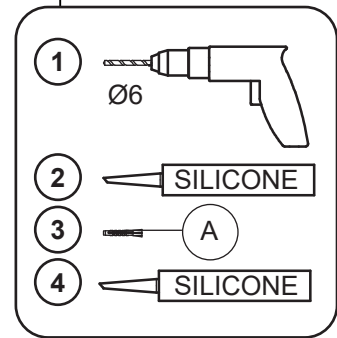
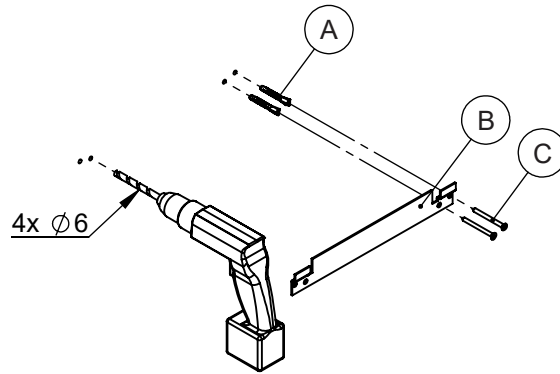
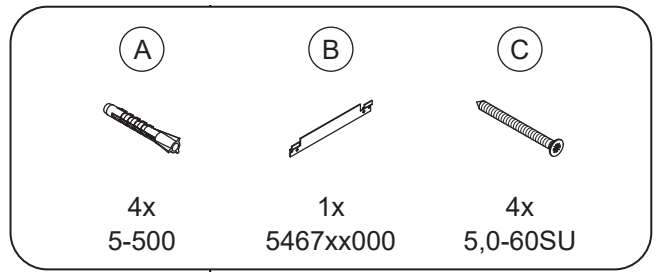




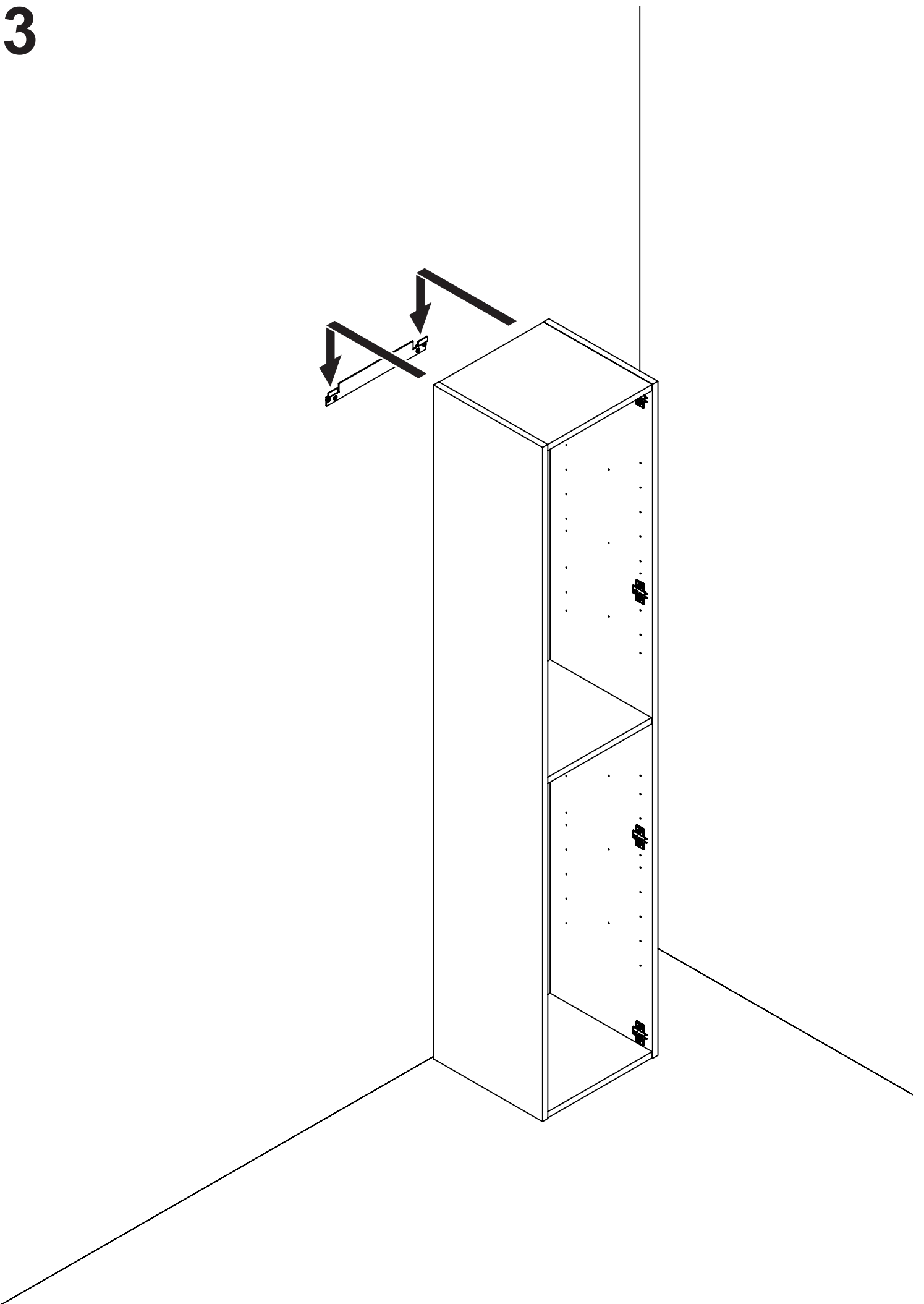
1



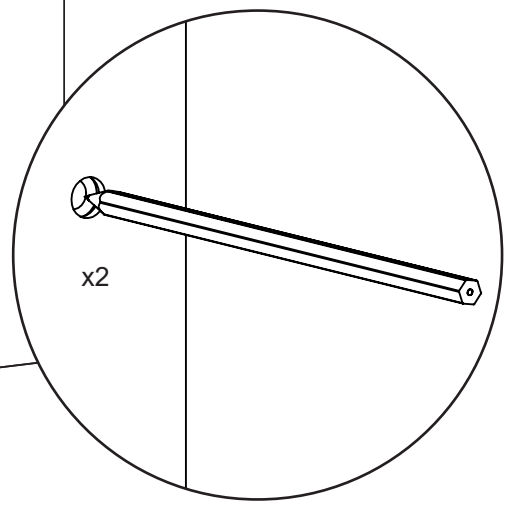
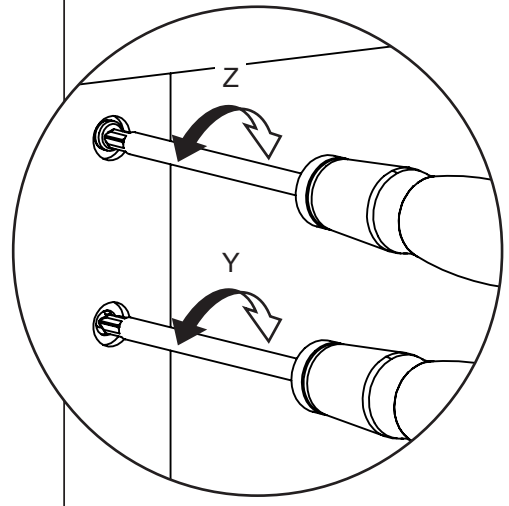
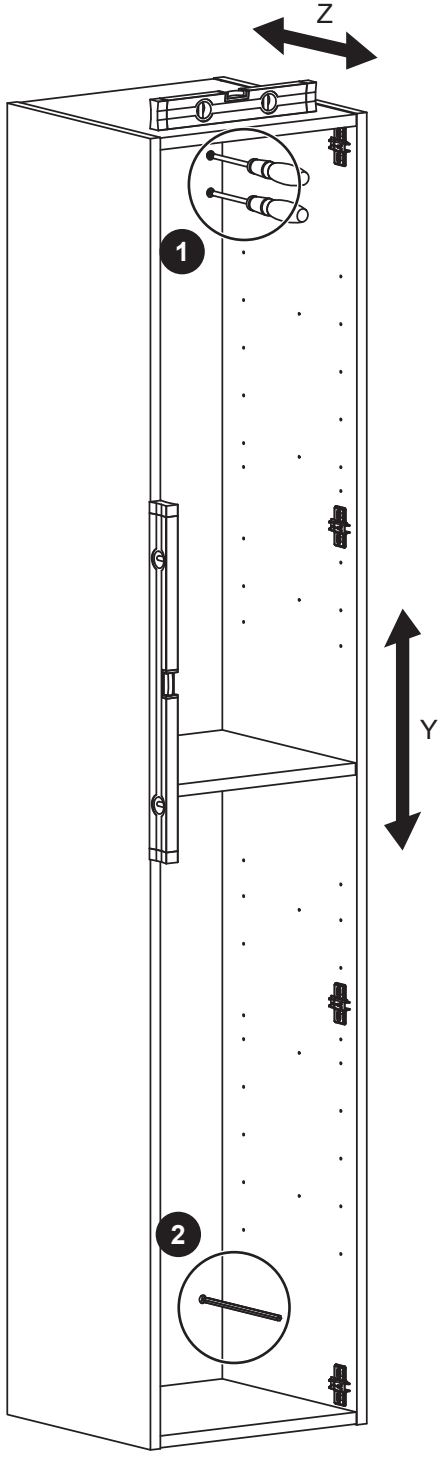
2



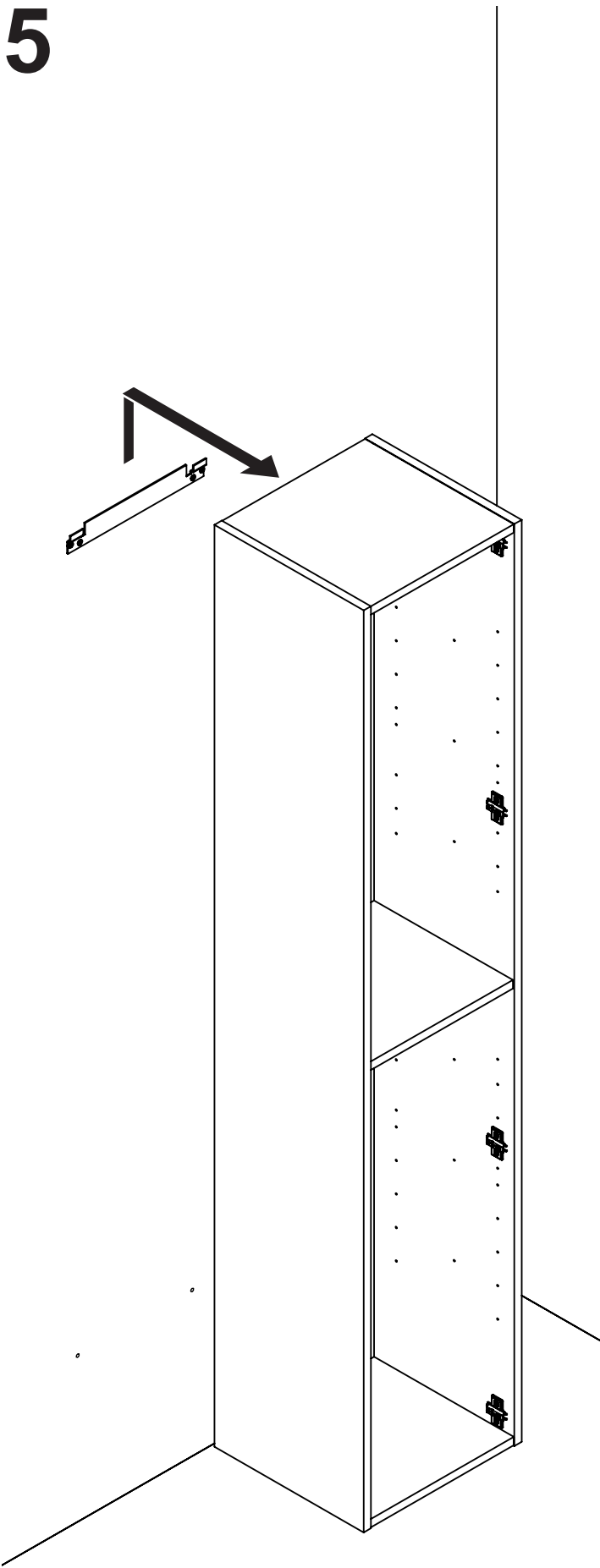
3



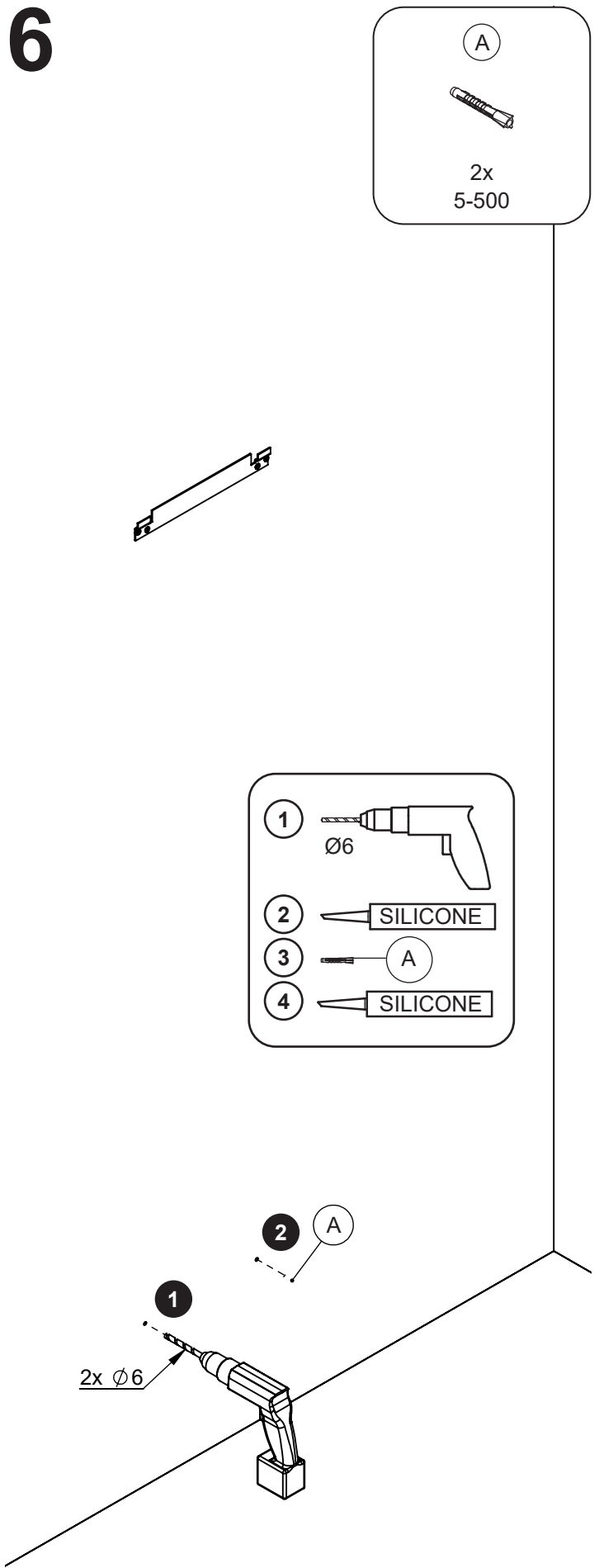
4



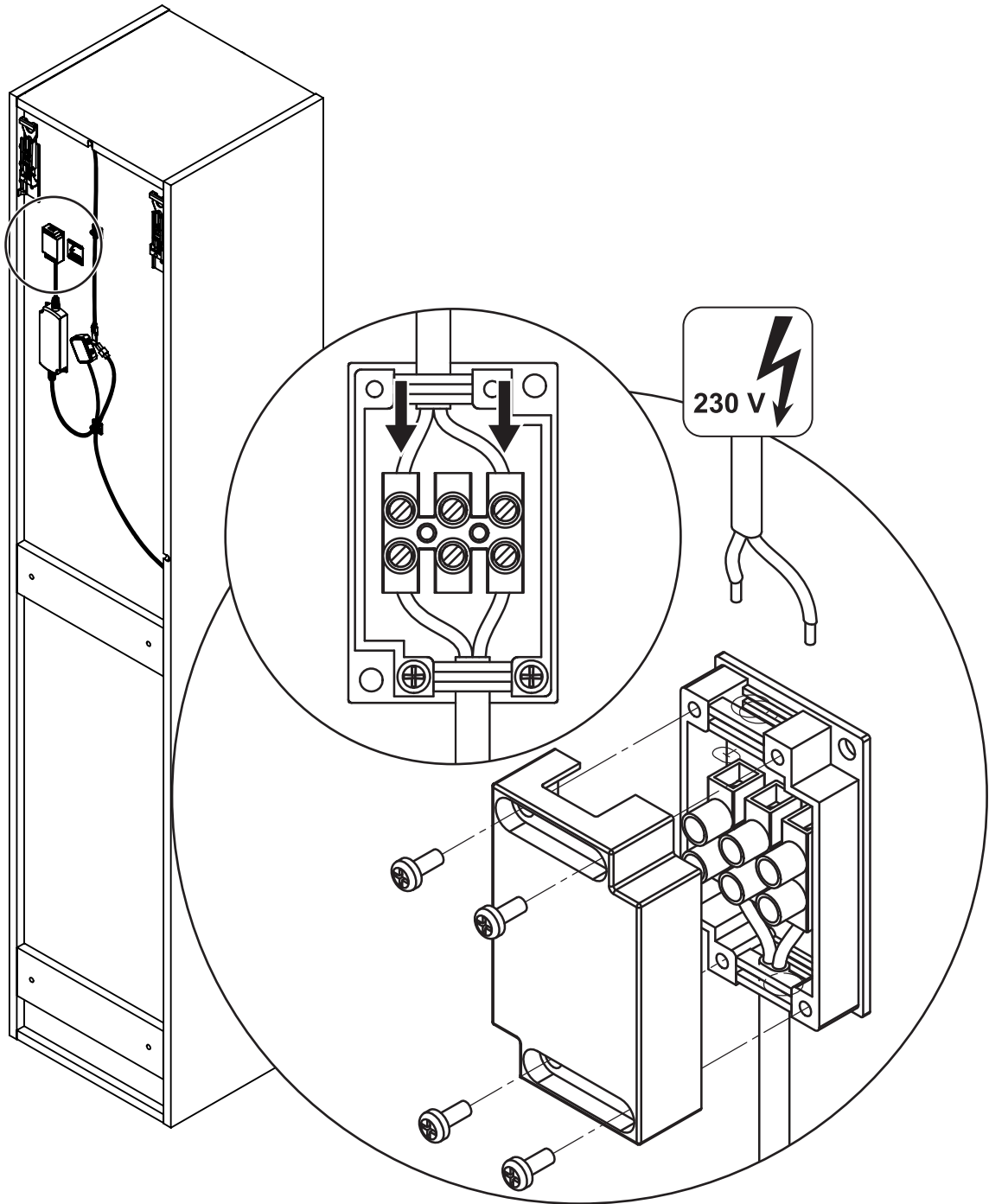
5



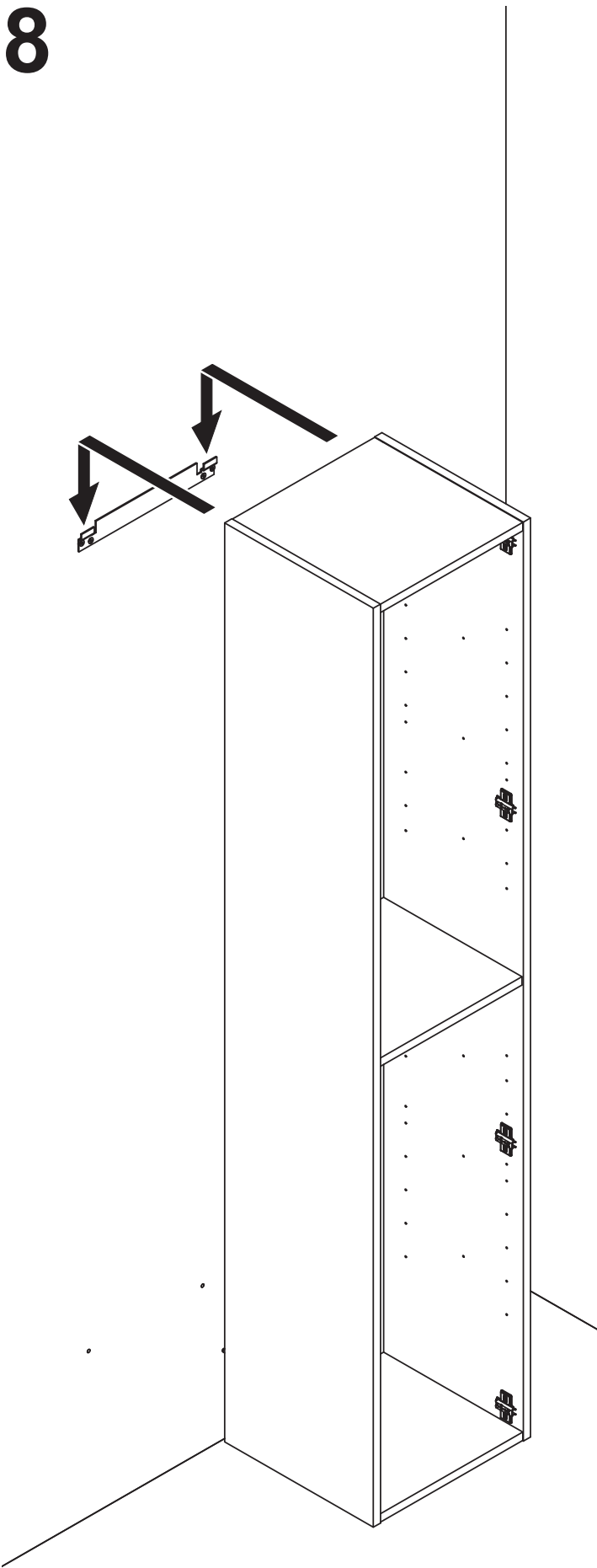
6



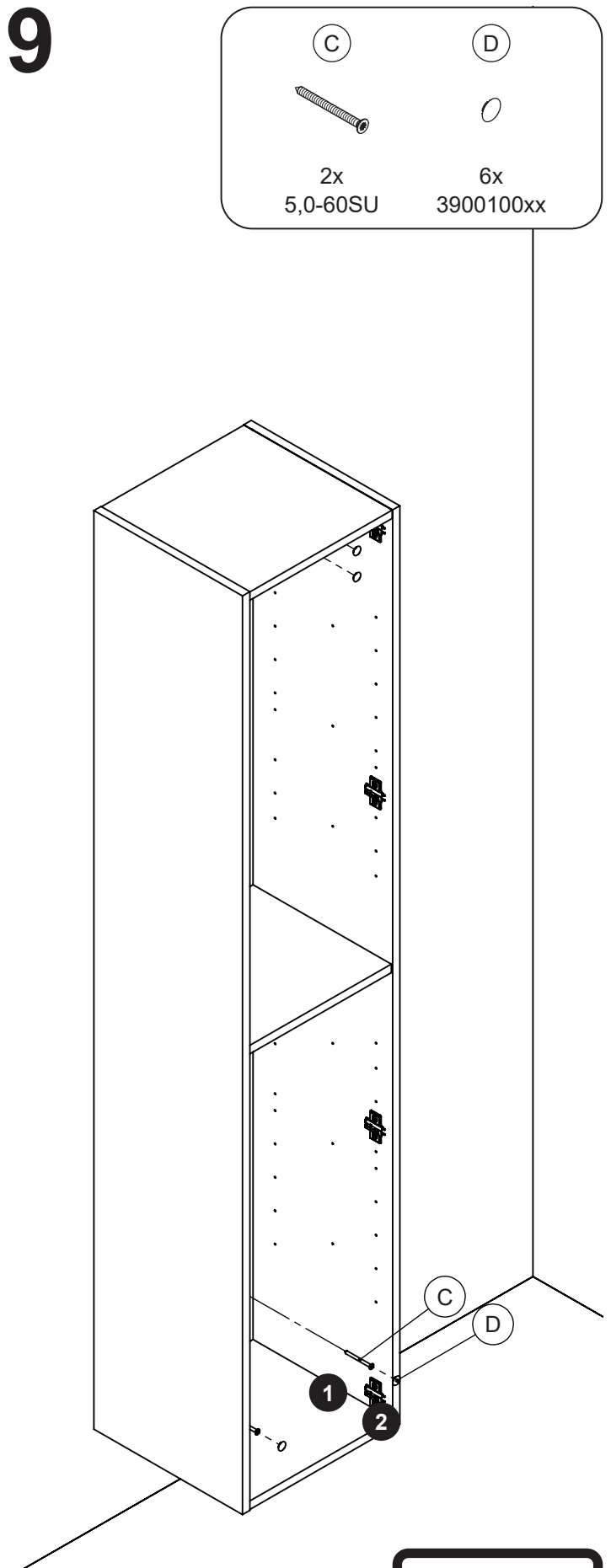
7



8



9




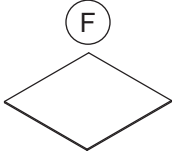
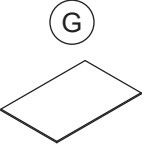
(C)	(D)
2x 5,0-60SU	6x 3900100xx



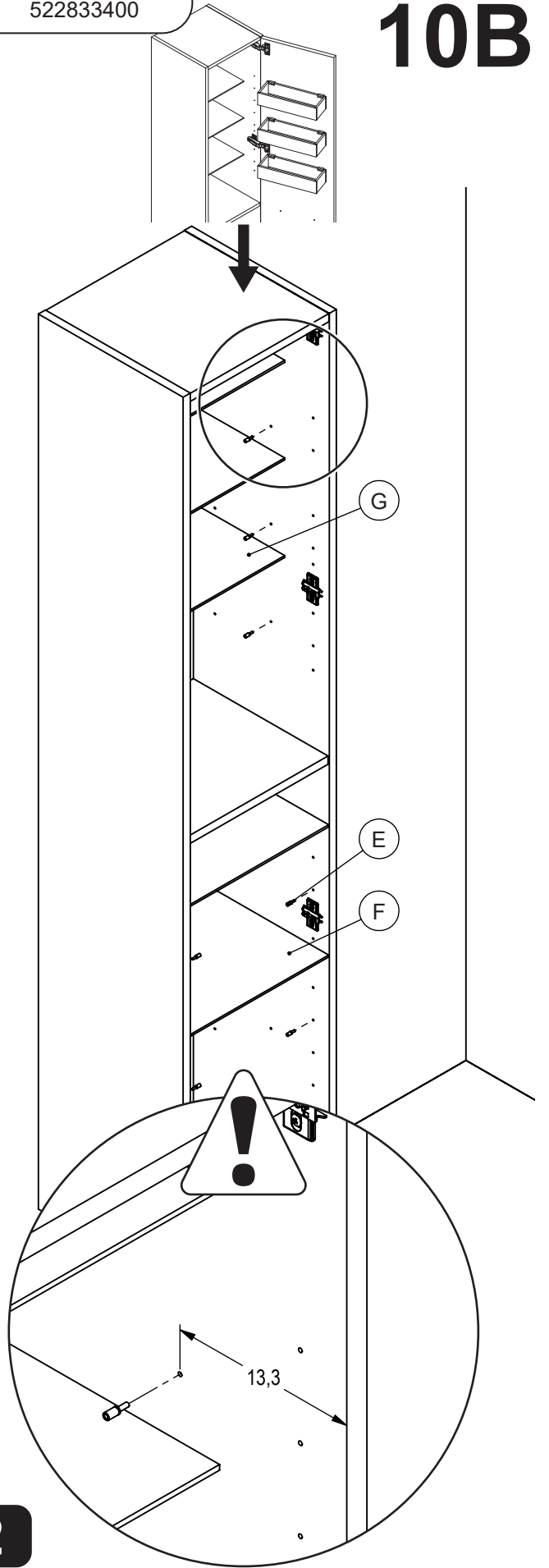
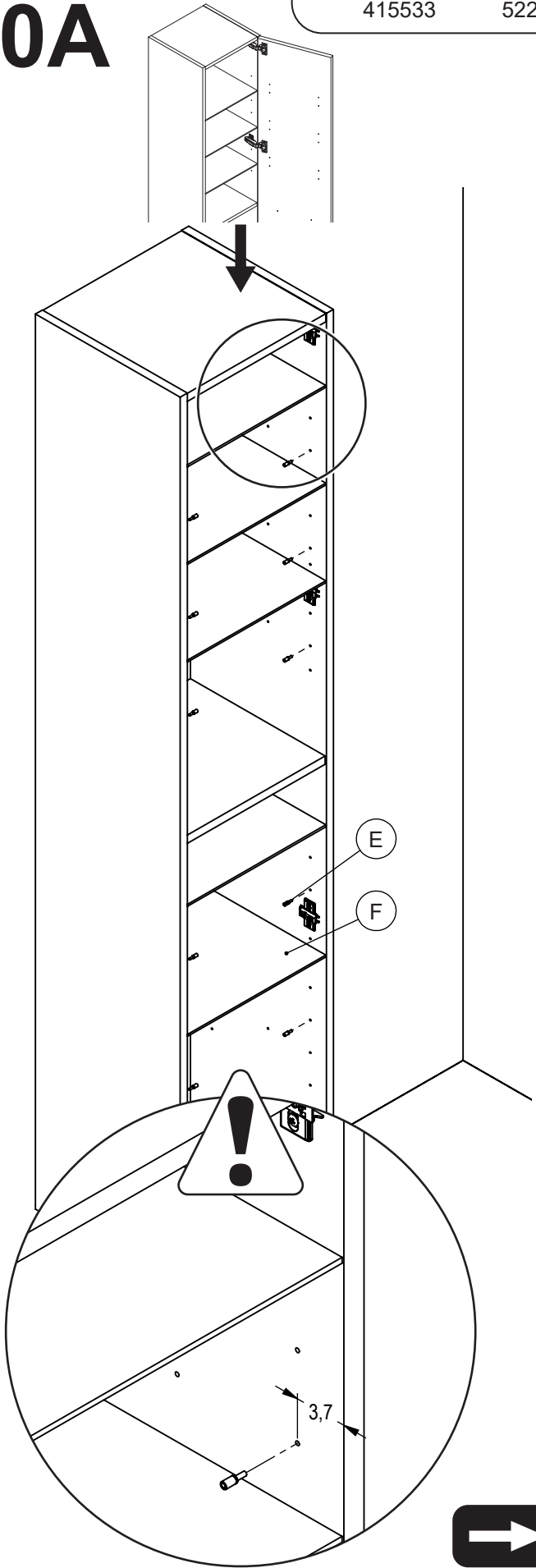
HI35

➔ 11

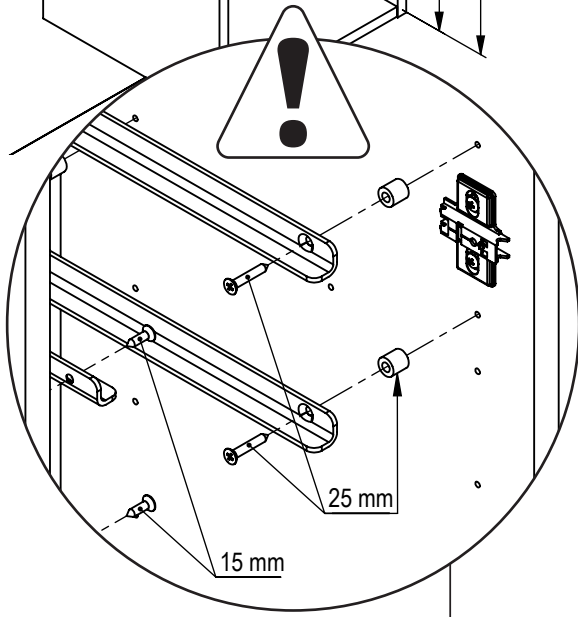
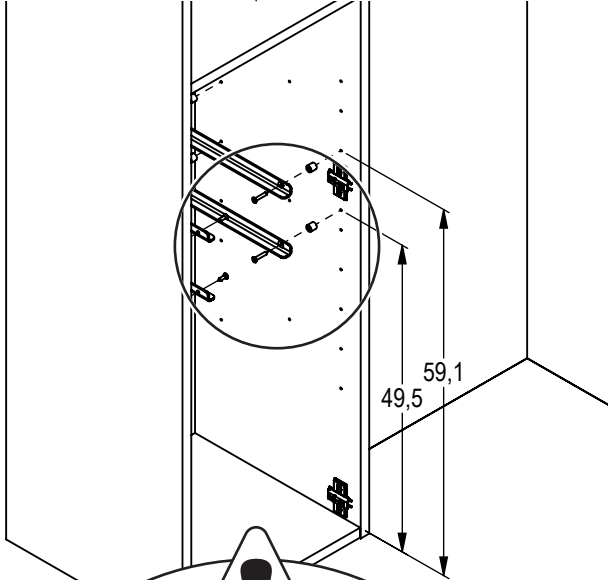
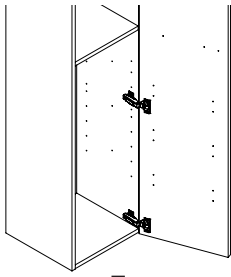
10A

		
20x 415533	2x/5x 5228xxx00	3x 522833400

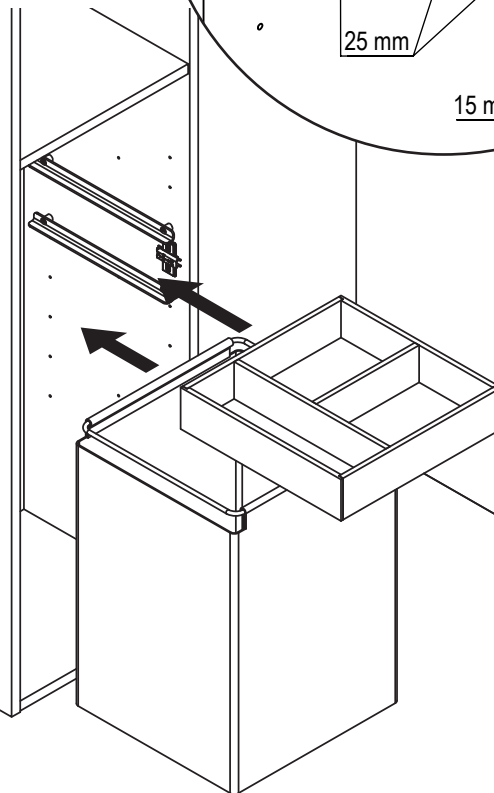
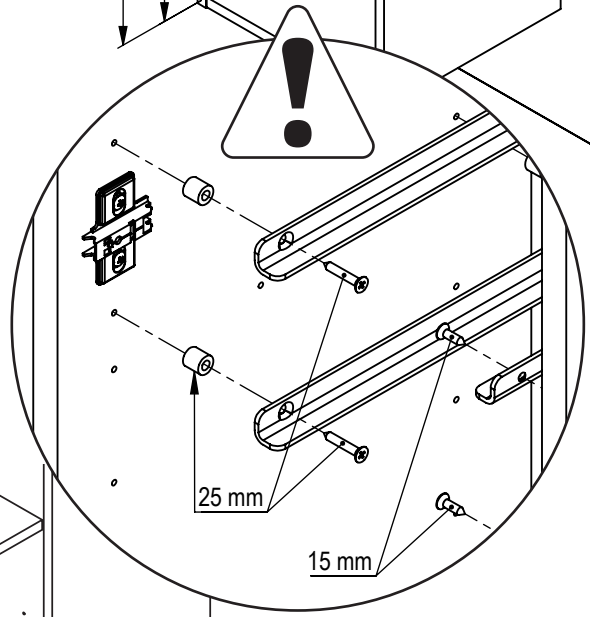
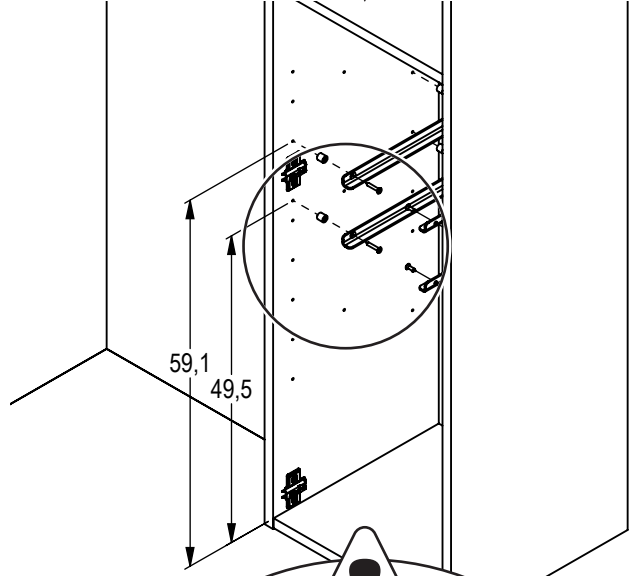
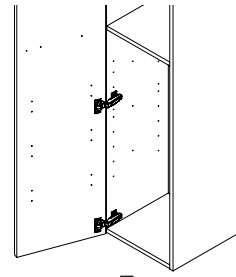
10B

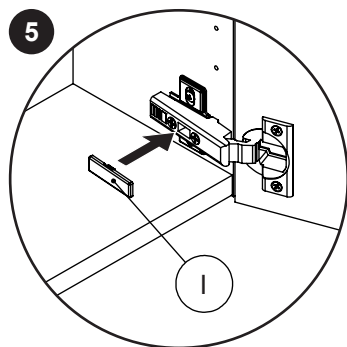
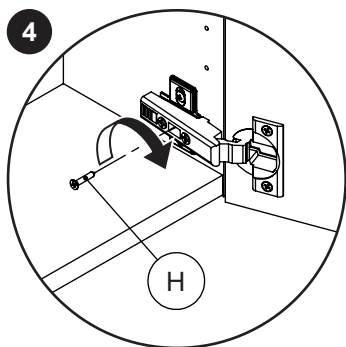
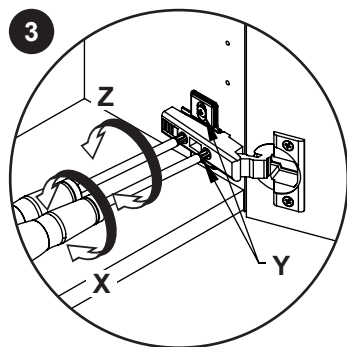
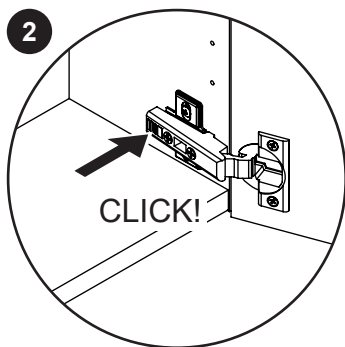
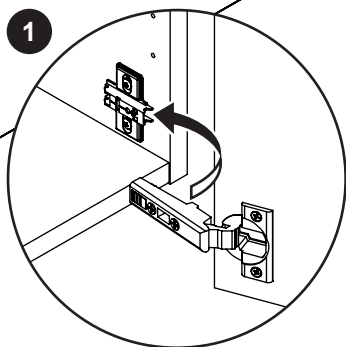
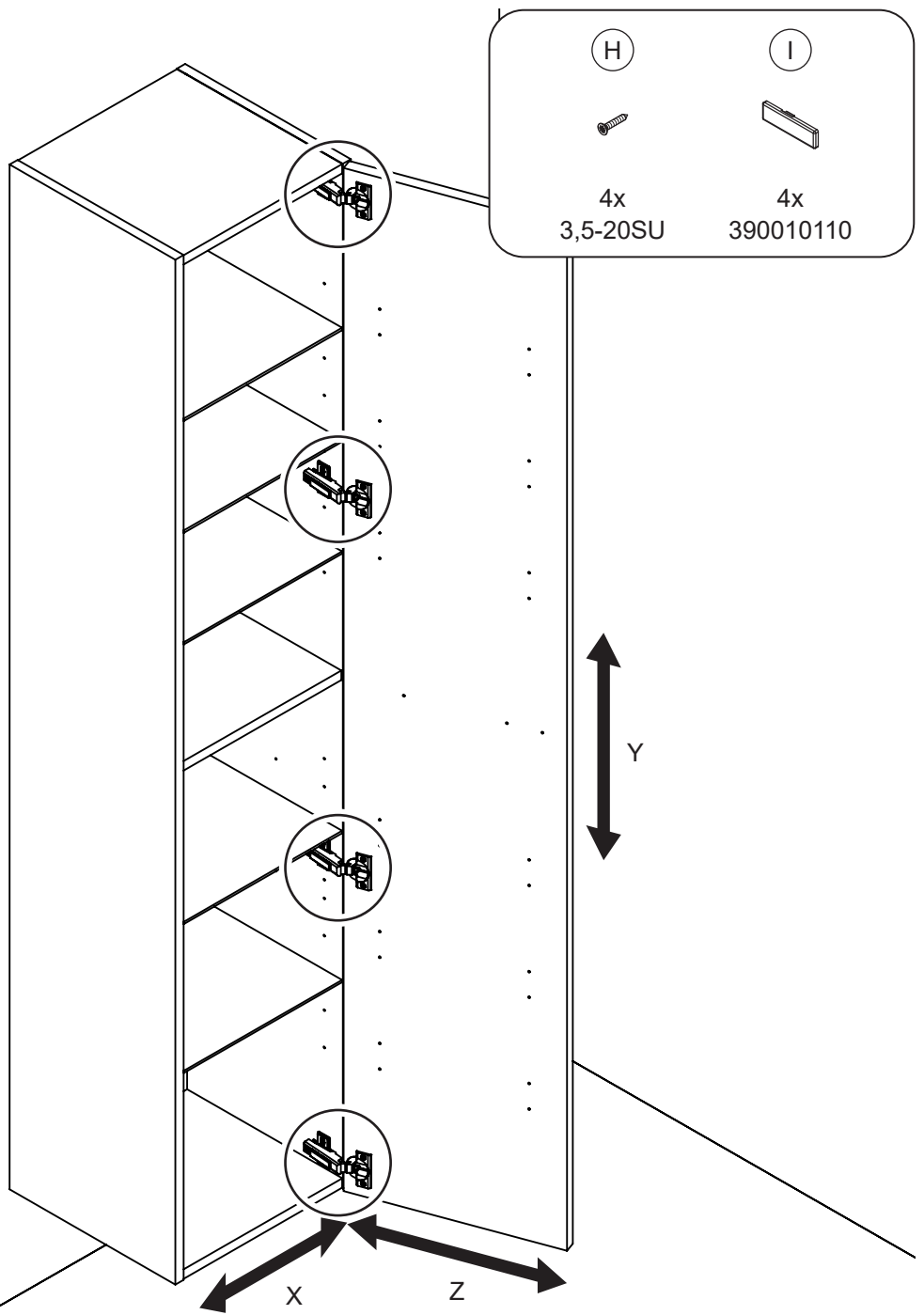


11A



11B

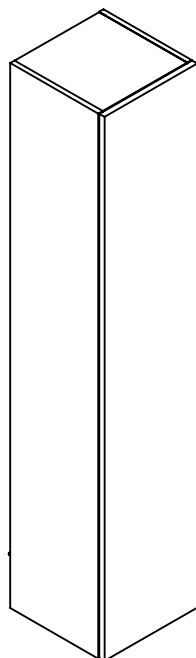
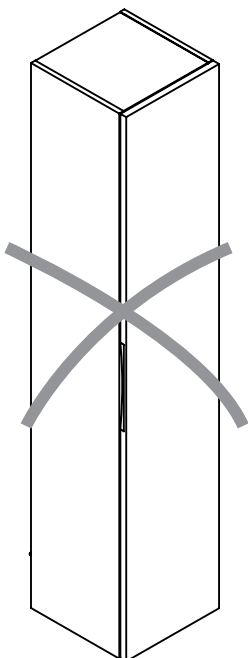




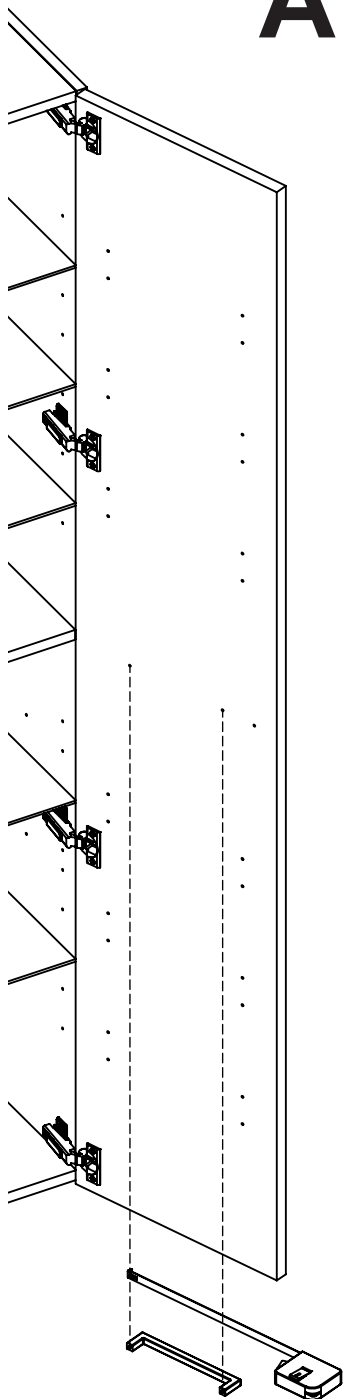
PO30-40

➔ 15

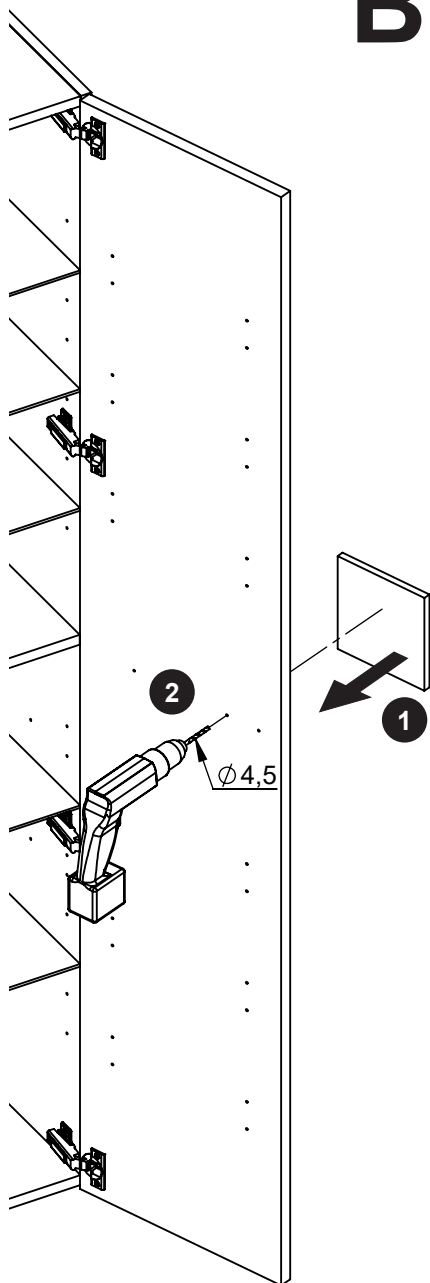
13



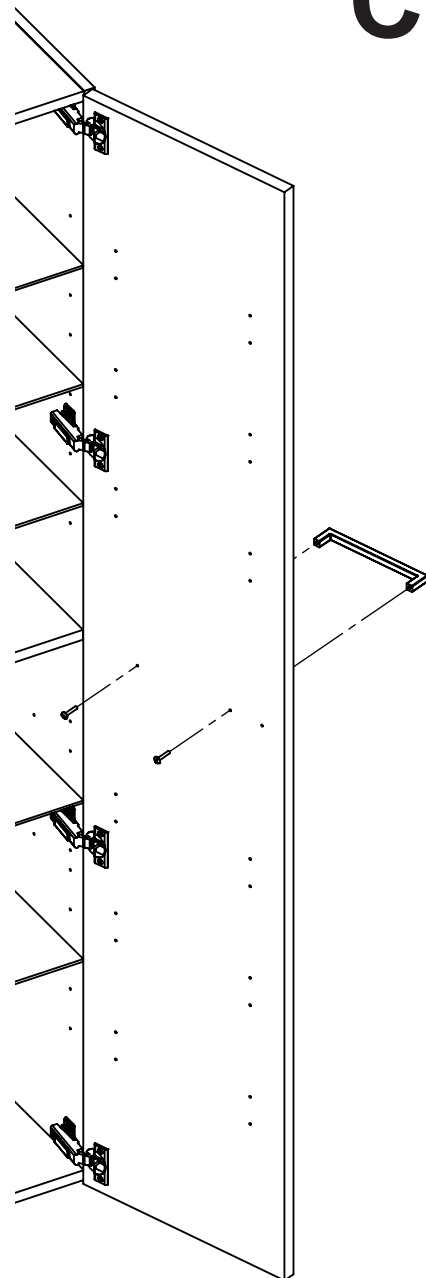
A



B



C



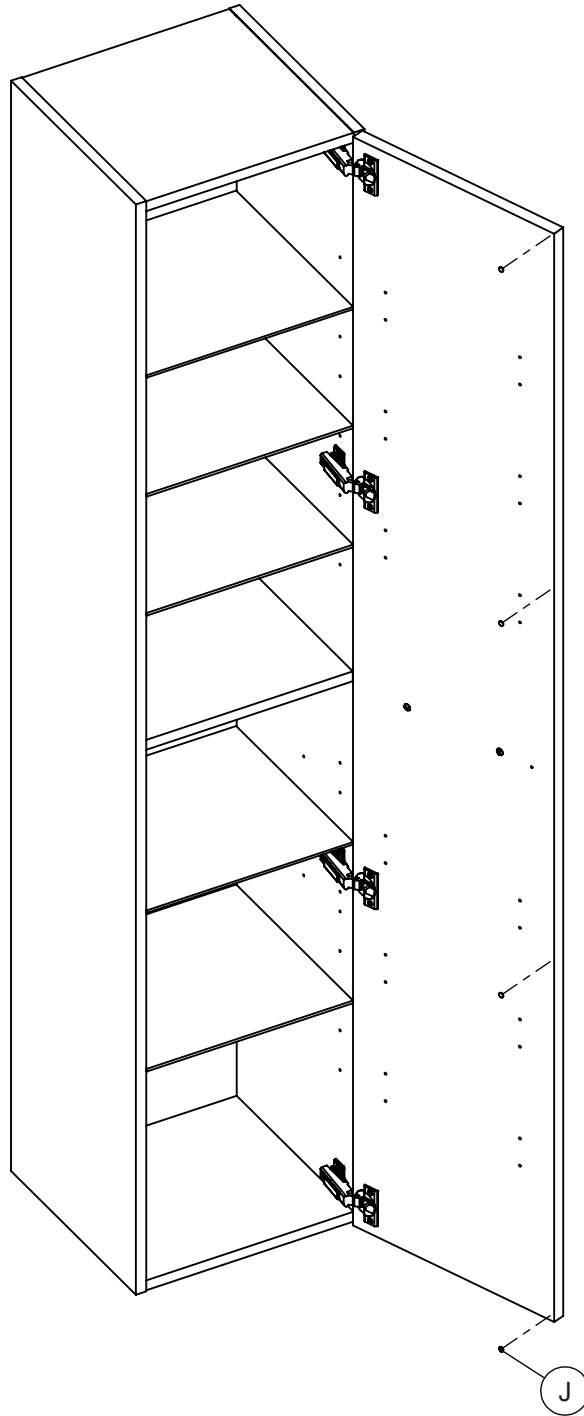
14



ⓐ

○

4x
19500000

A diagram showing three rectangular panels and three corresponding metal brackets. The text 'HB35' is printed below the components.

HB35

➔ 16

15



(K)



1x

190320150

(L)



2x

190320154-1

(M)



1x

190320152

(N)



1x

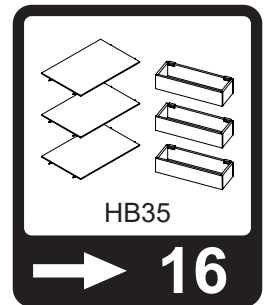
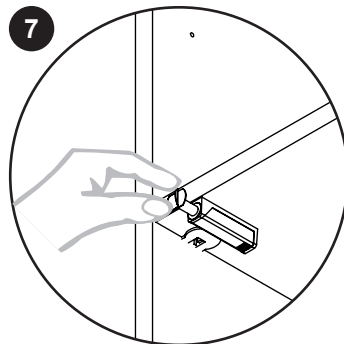
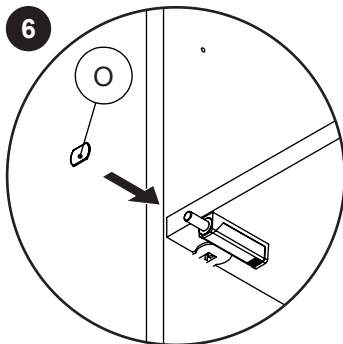
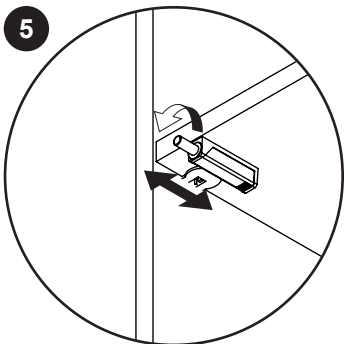
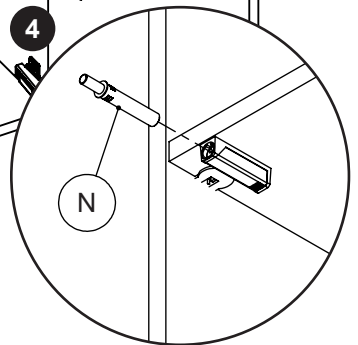
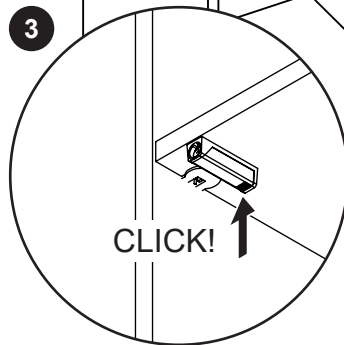
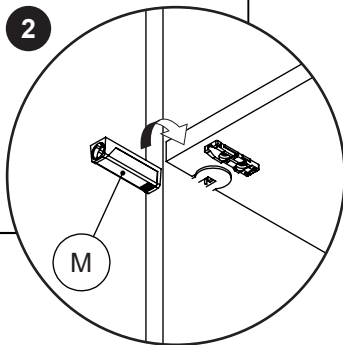
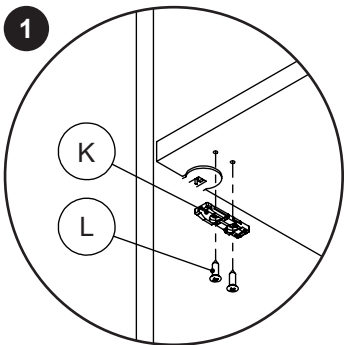
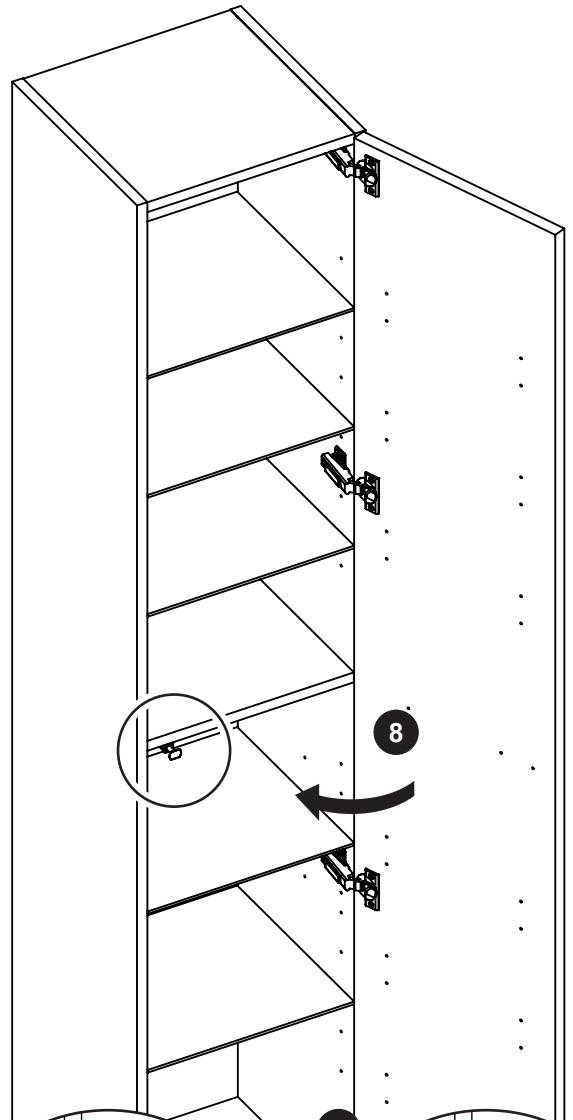
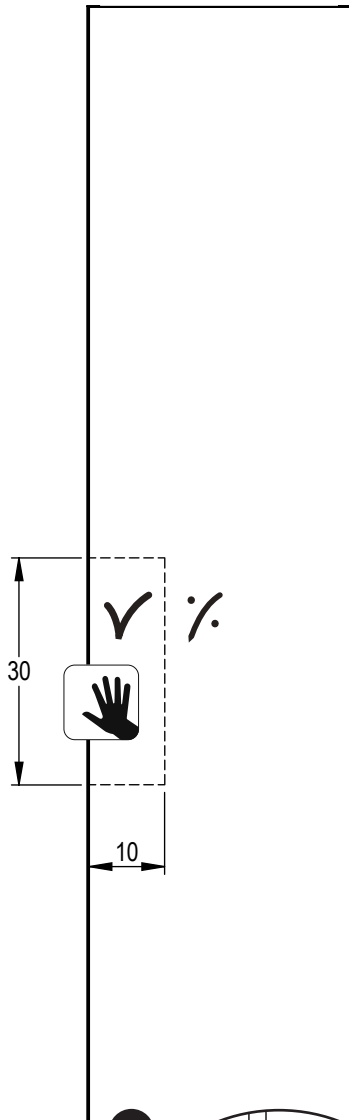
190320154-2

(O)





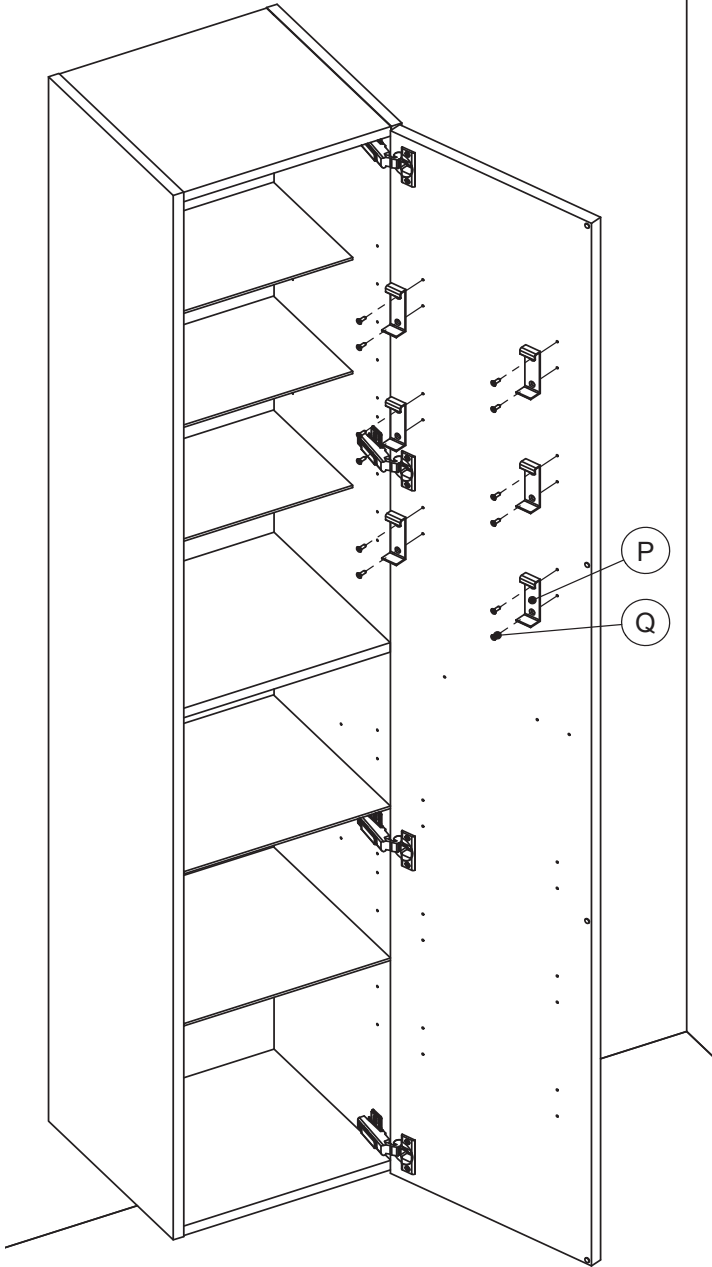
1x

190320154-3




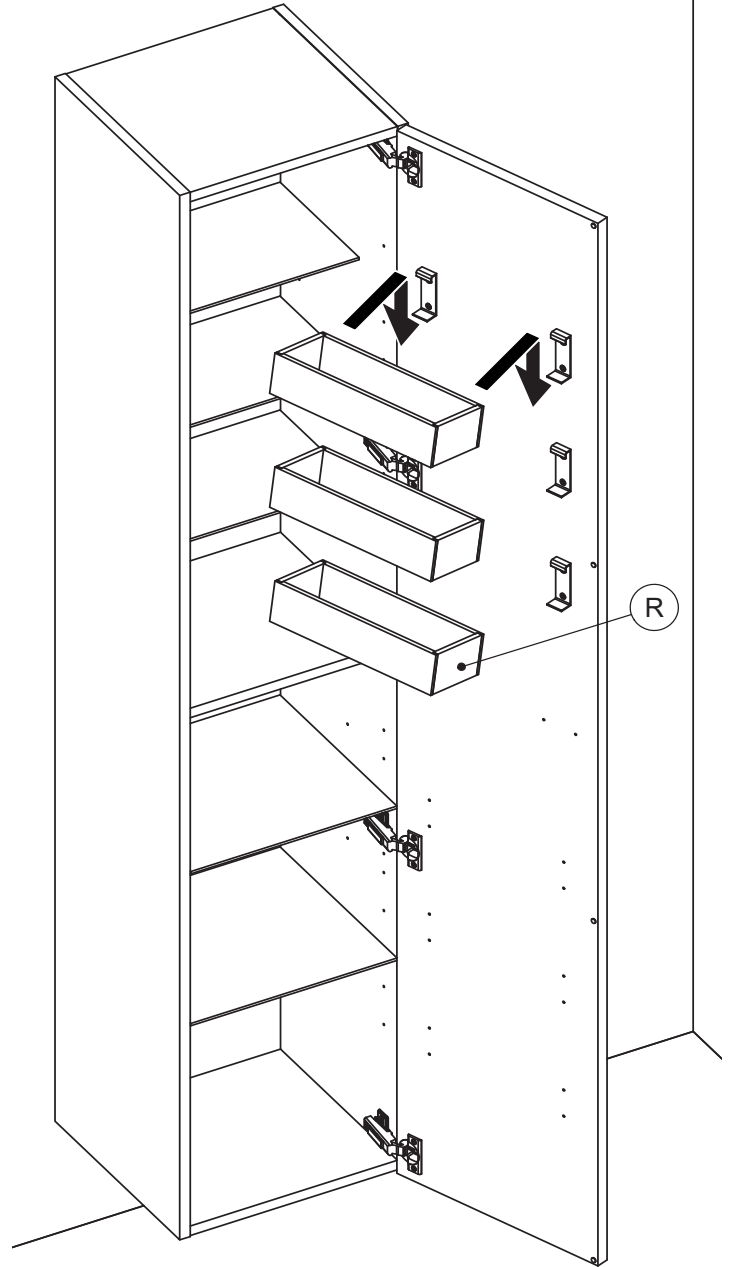
16

	
6x 545600047	12x 4,0-15SU



17


3x 305210016



5 713804 184337