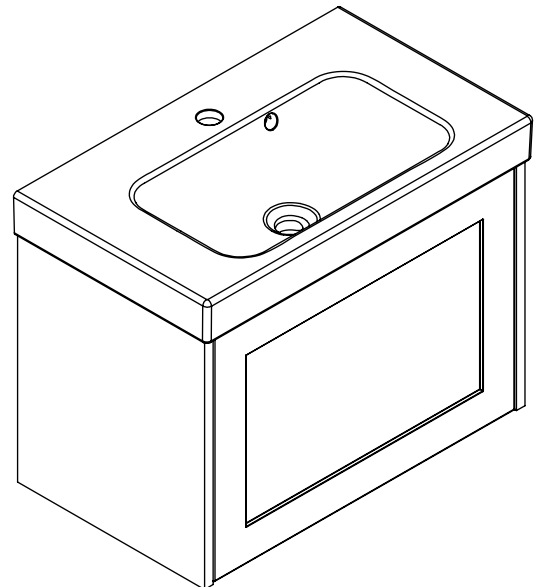
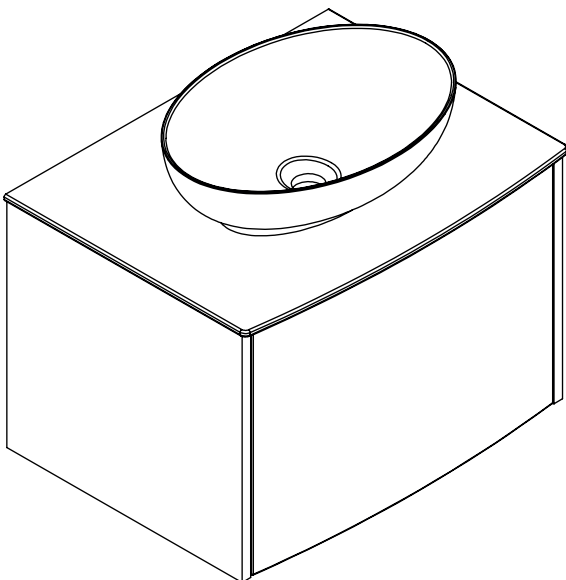
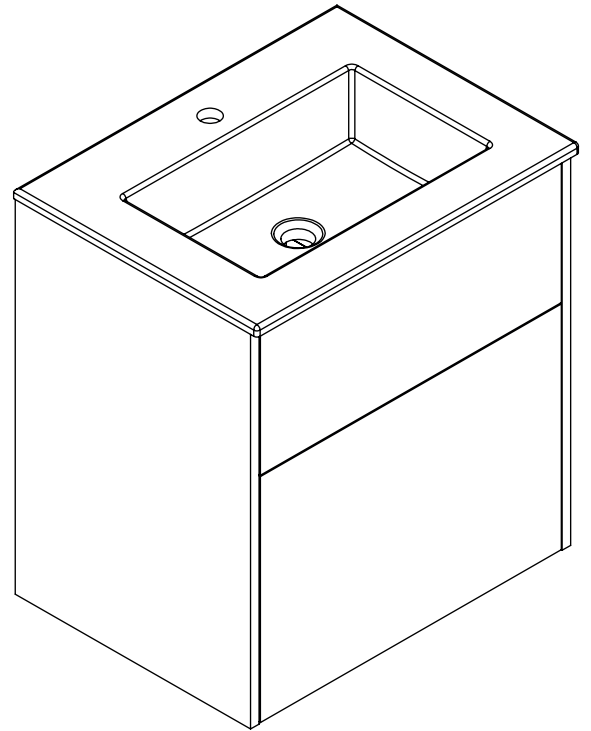
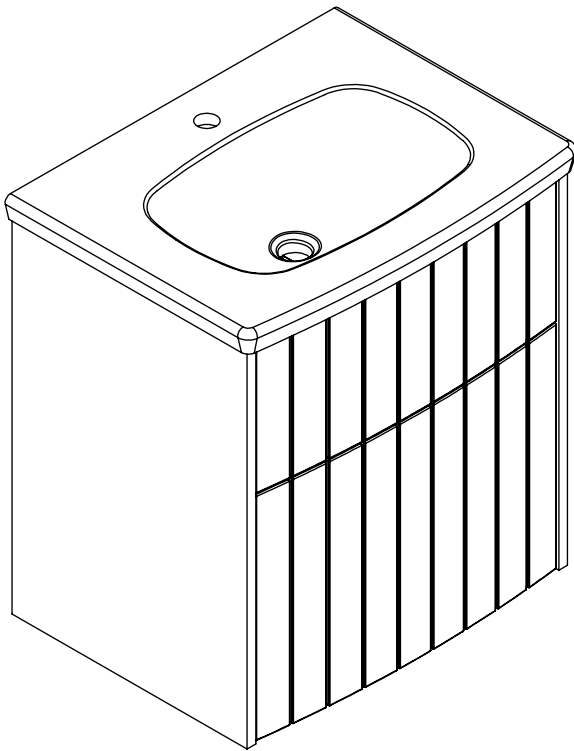




DANSANI
DANISH BATHROOM DESIGN





4x
5-500



4x
5,0-60SU



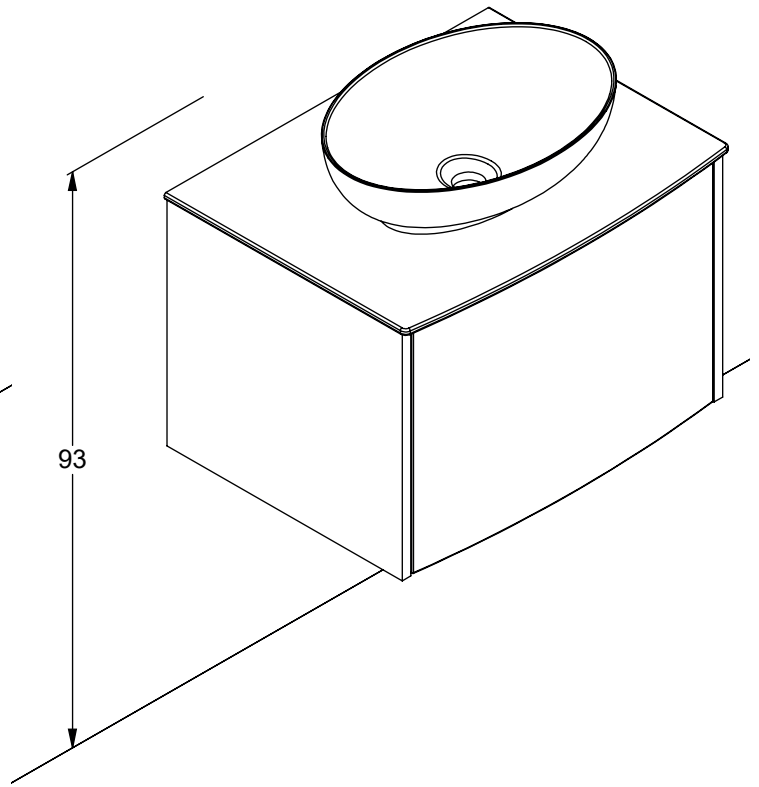
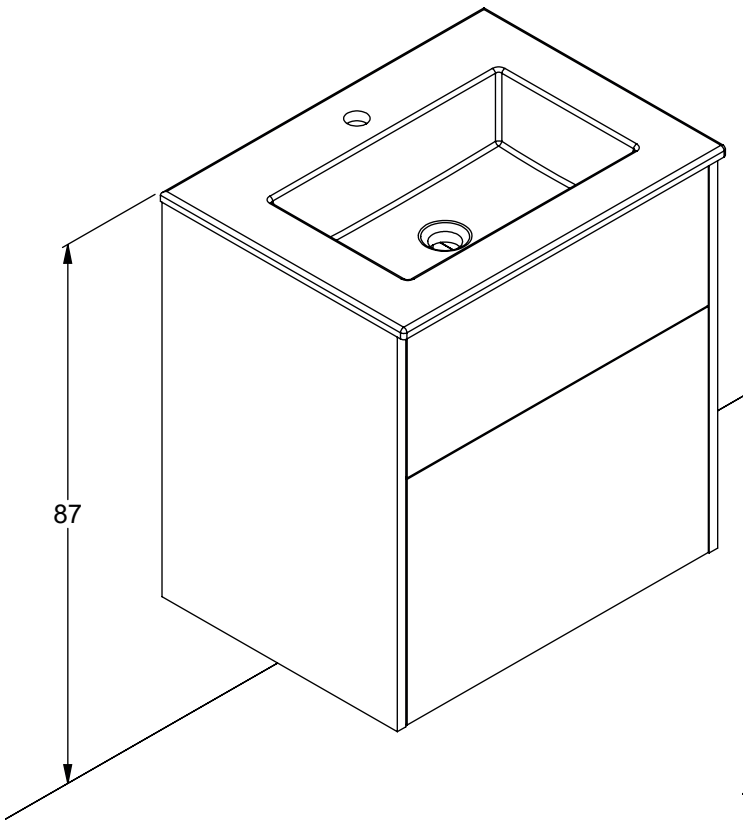
2x
190310601

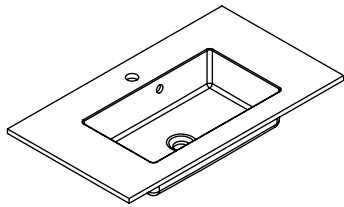


2x
190310600

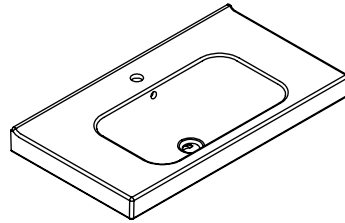


8x
195000000

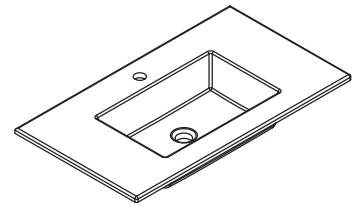




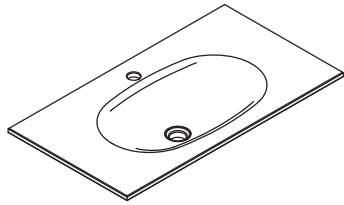
Minore
X=78,2



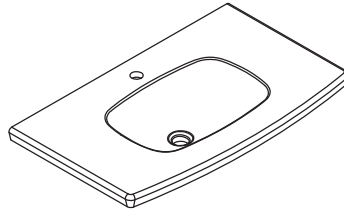
Menuet
X=72,7



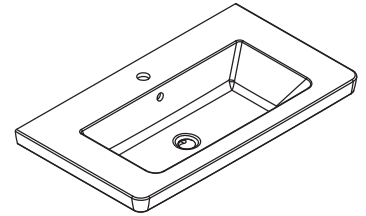
Edge
X=78,1



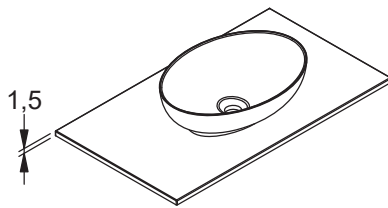
Largo
X=78,2



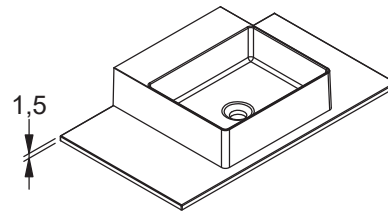
Arc
X=75,7



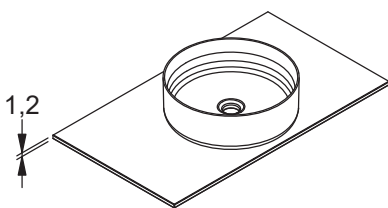
Larghetto
X=74,7



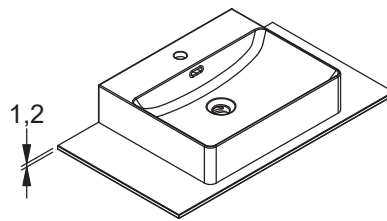
Sonate
X=72,7



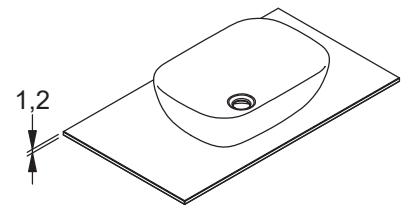
Marcato
X=72,2



Circle
X=72,5

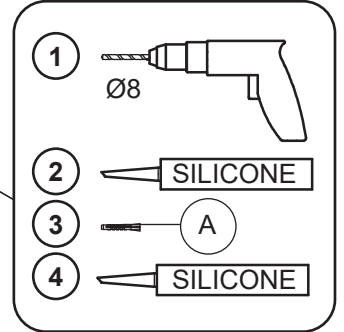
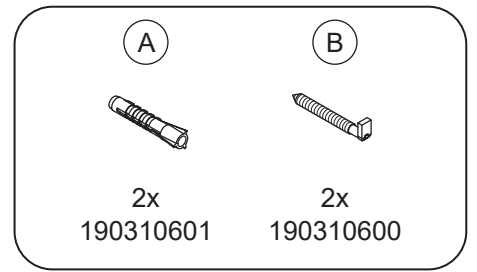
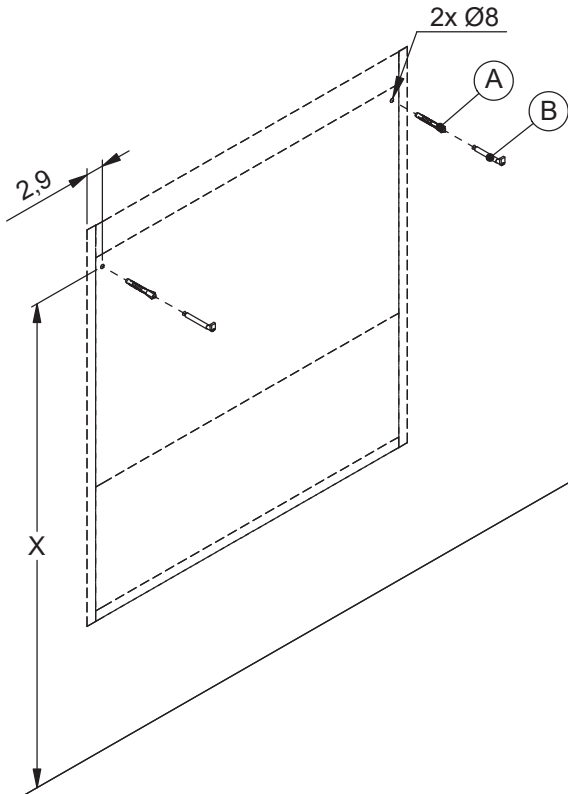


Cube
X=72,5

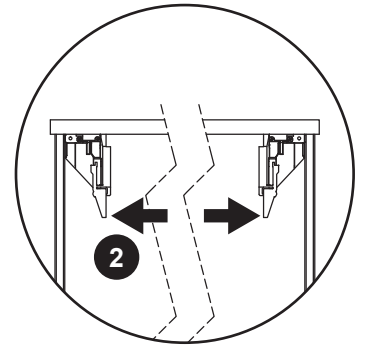
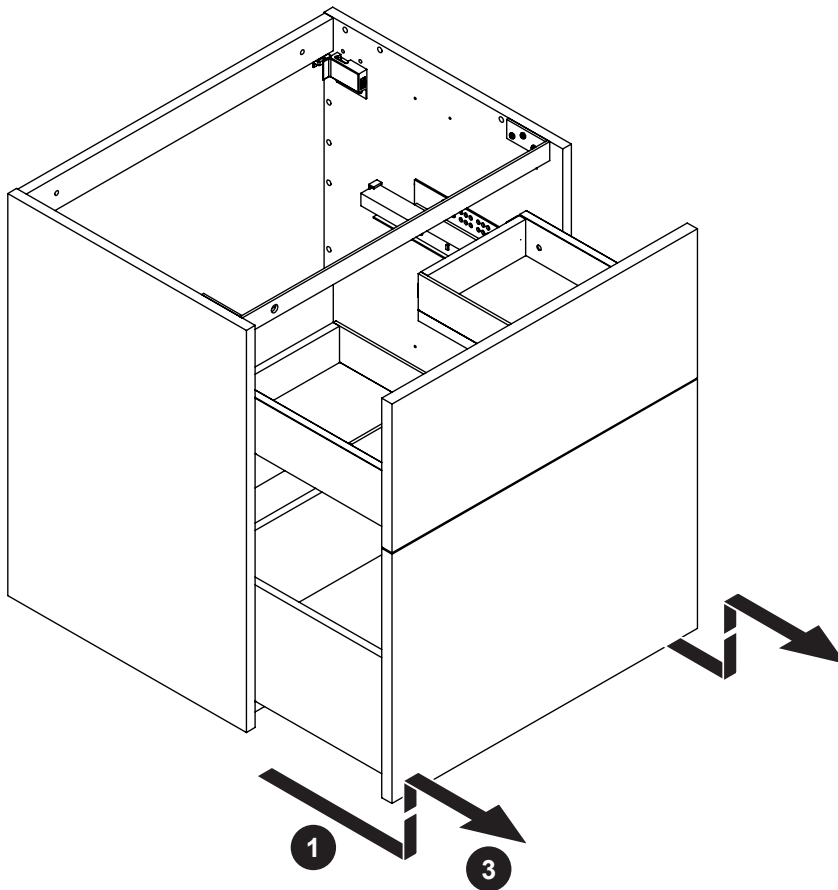


Stadium
X=71

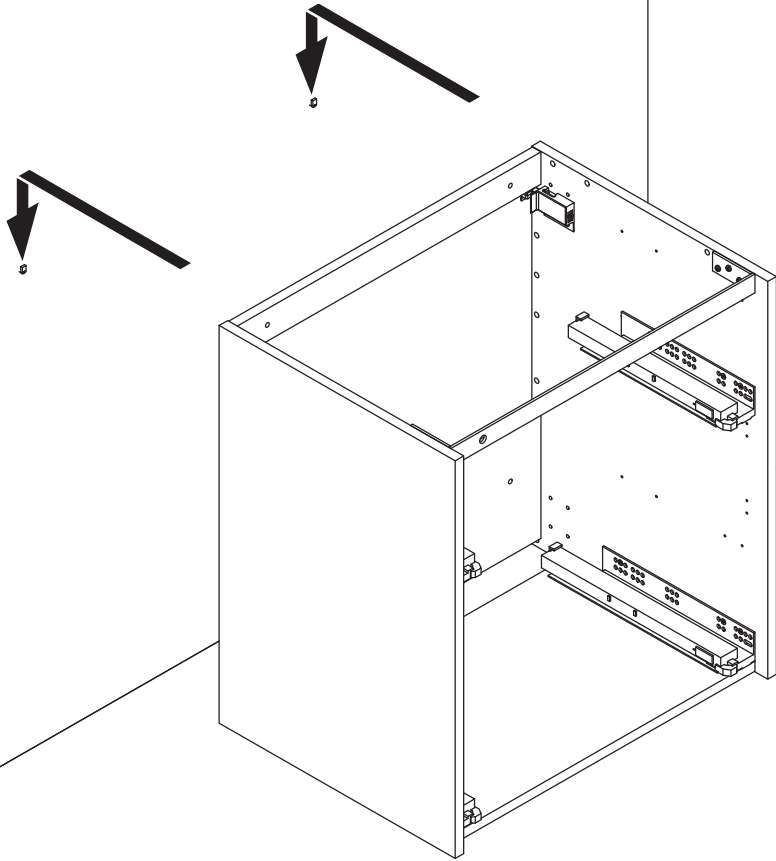
1



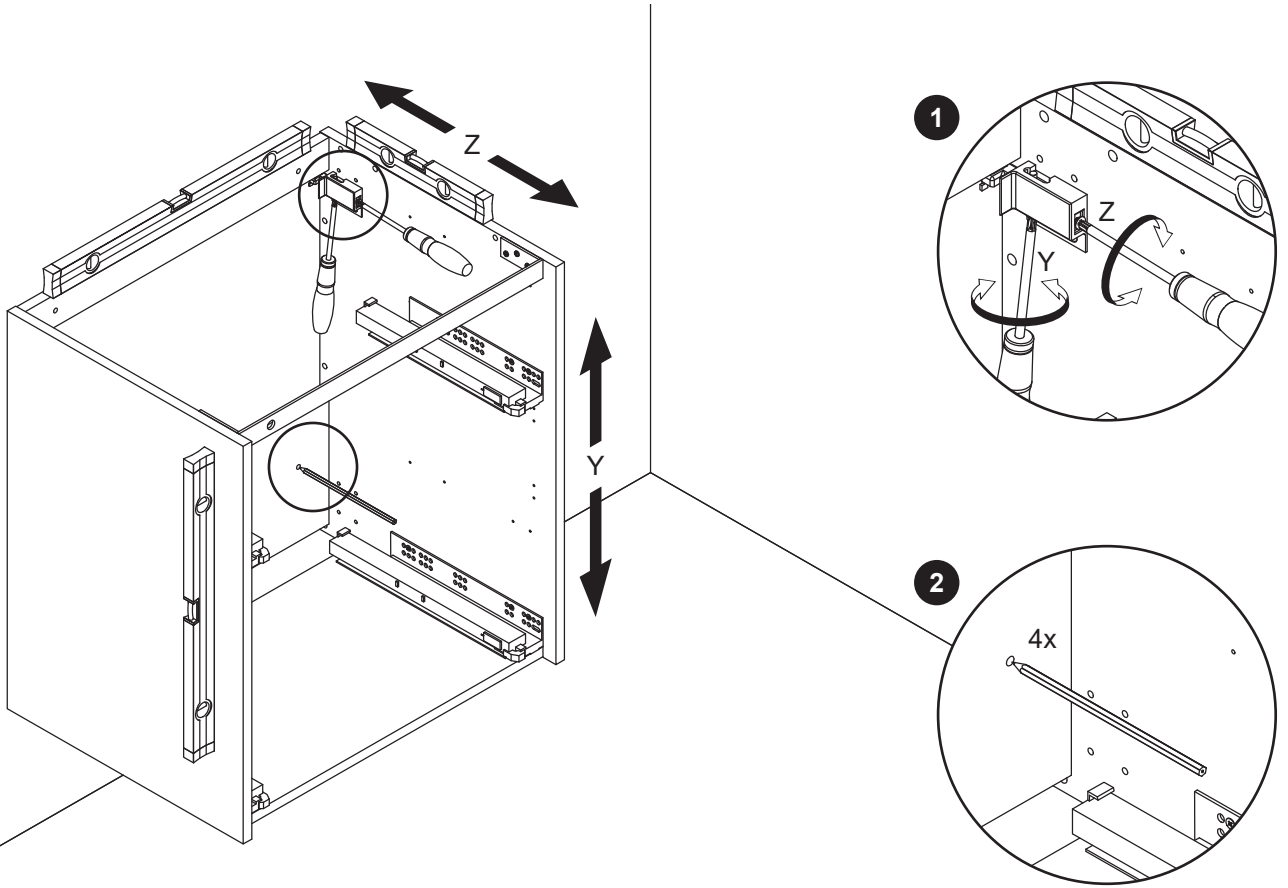
2



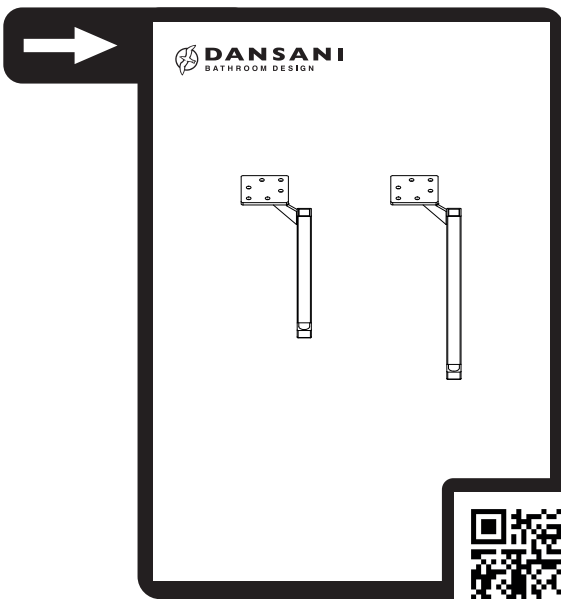
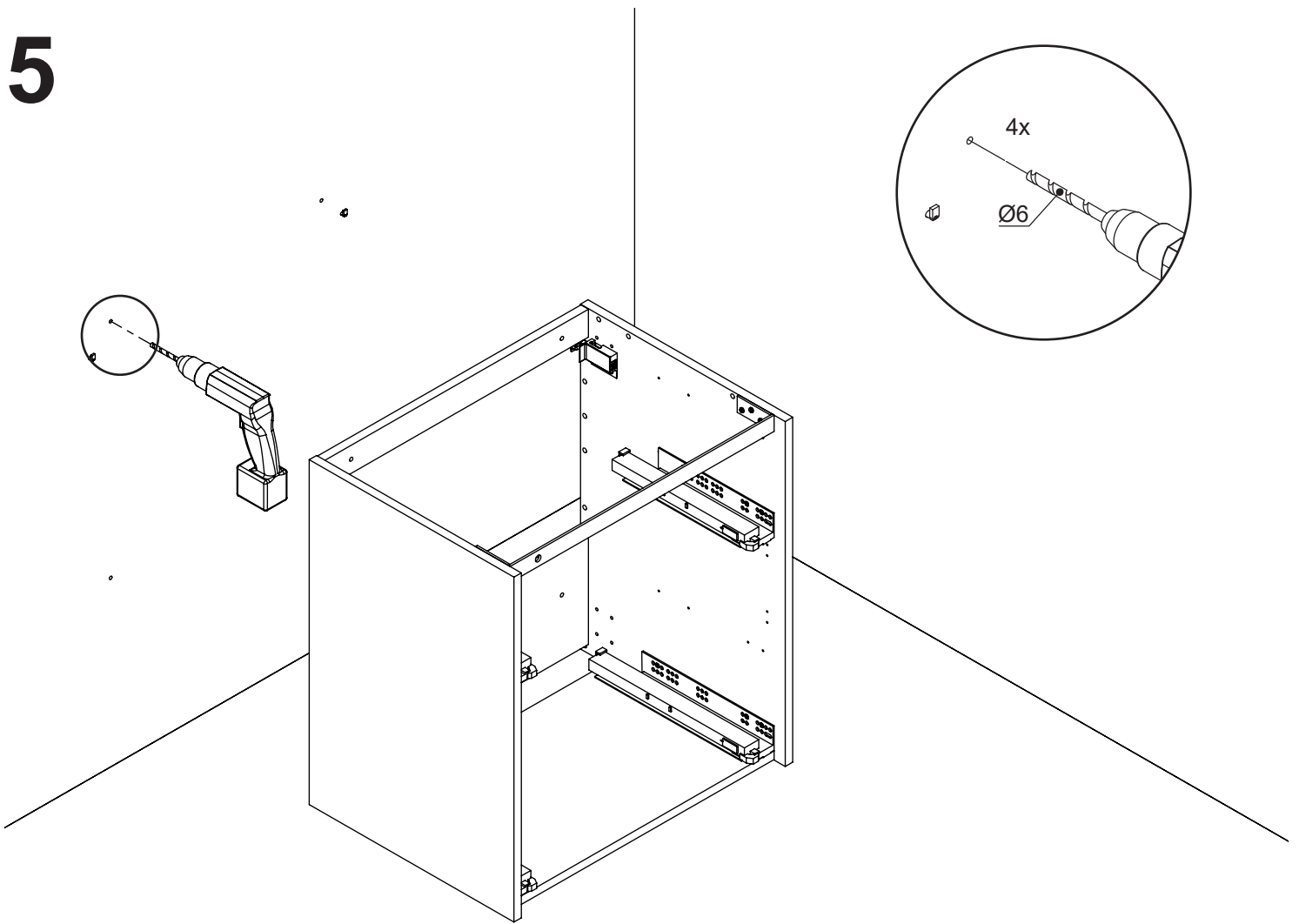
3



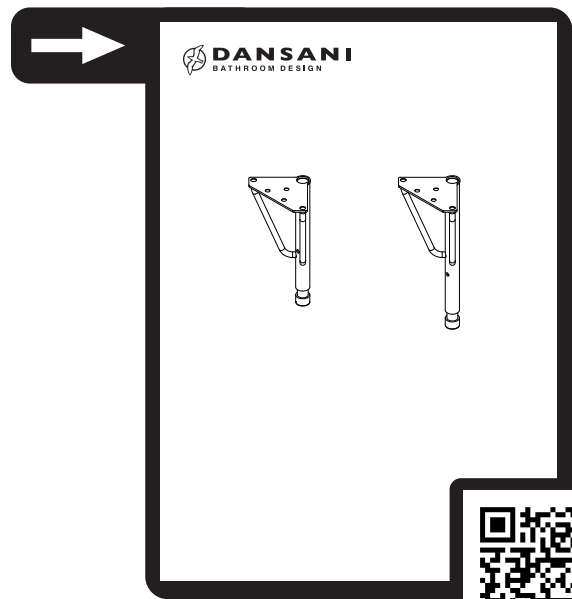
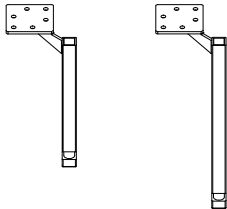
4



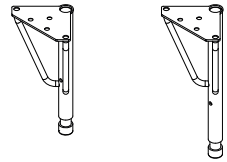
5



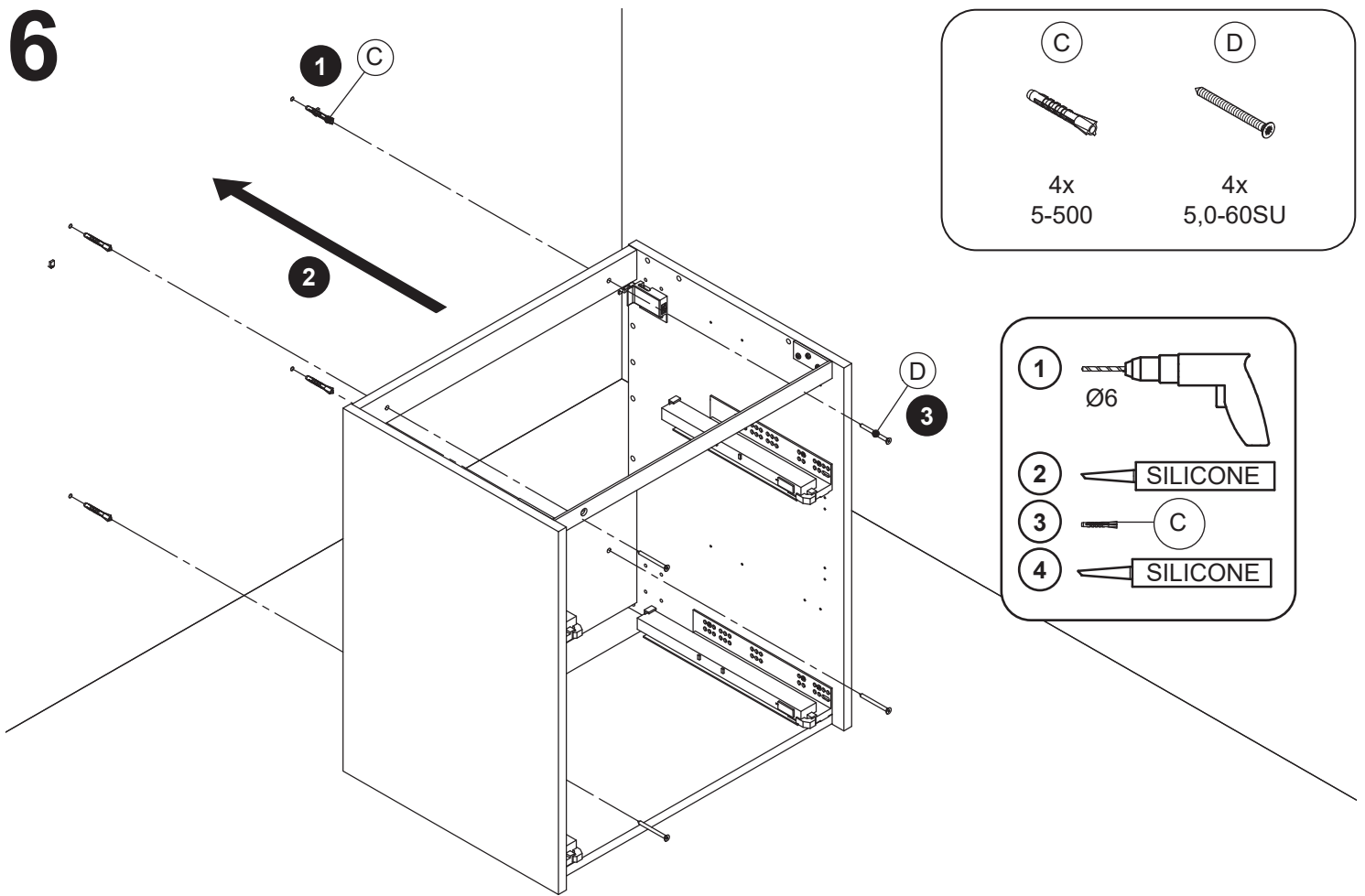
DANSANI
BATHROOM DESIGN



DANSANI
BATHROOM DESIGN



6

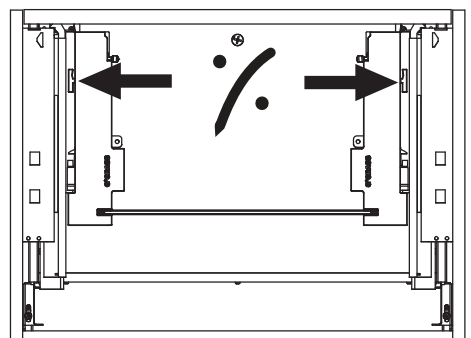
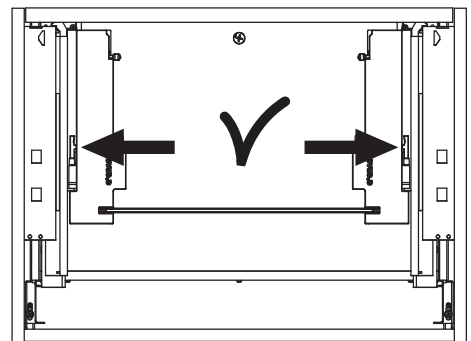


→ 7

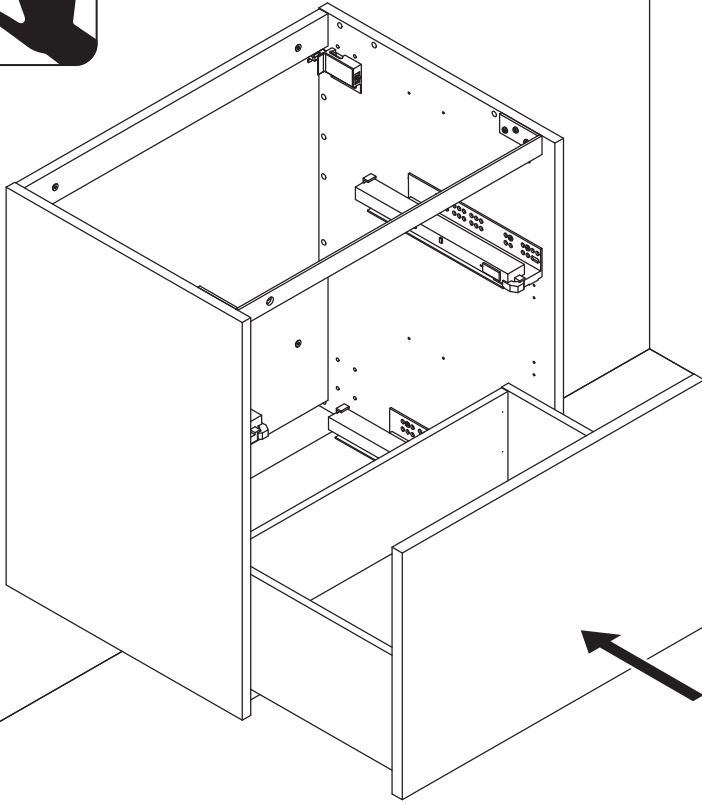


→ 12

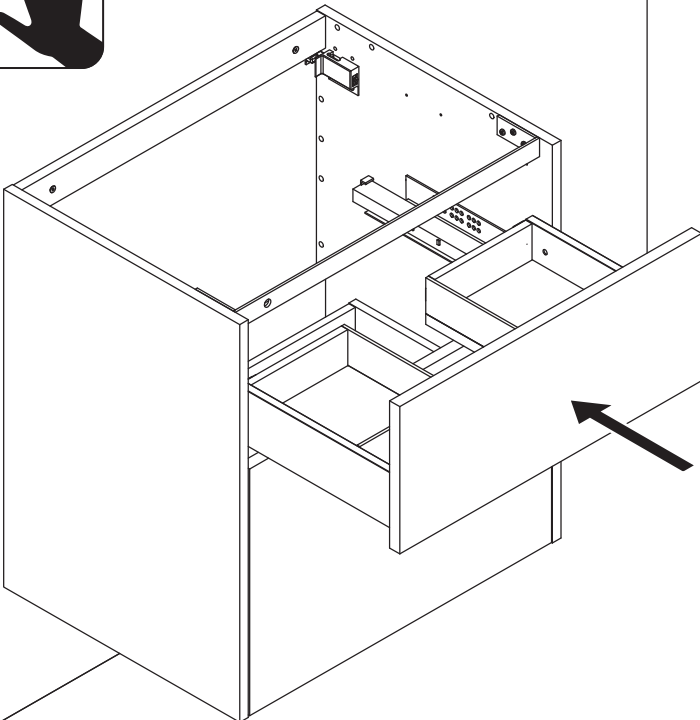
7



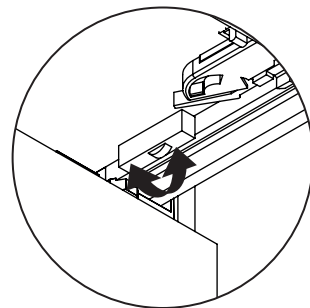
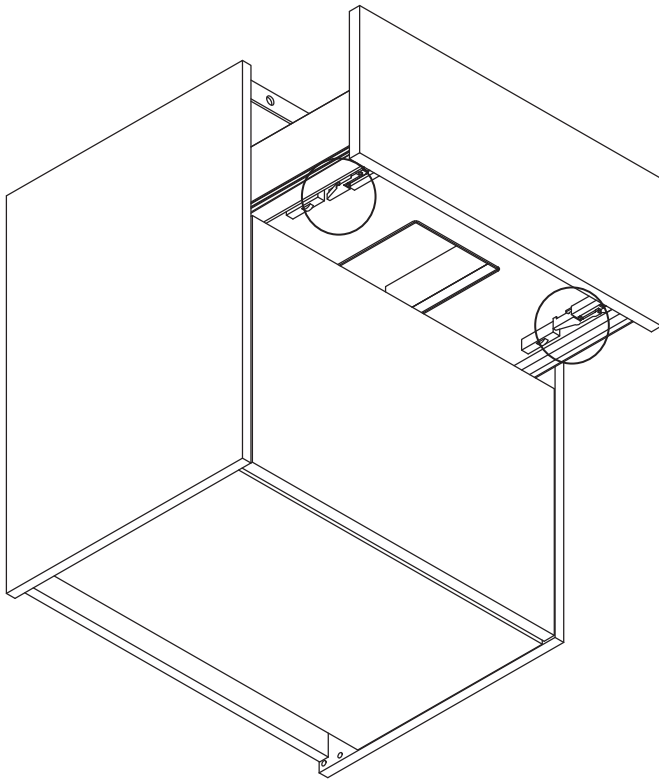
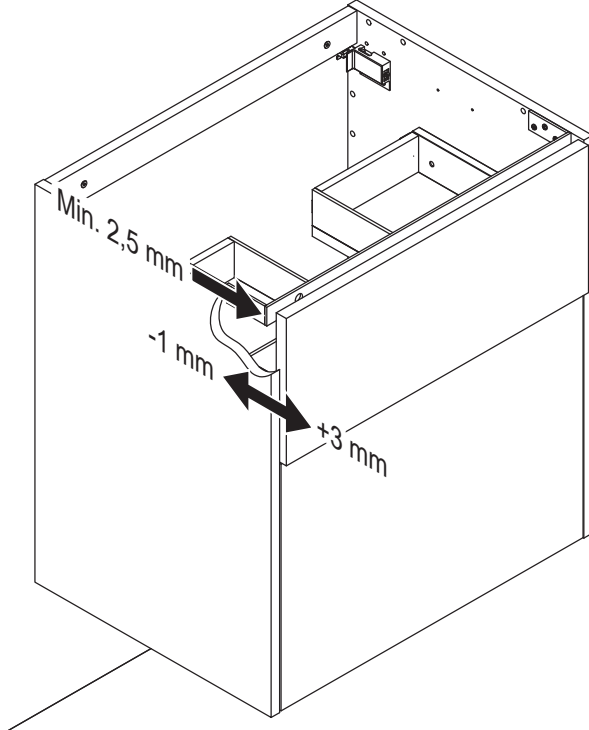
8



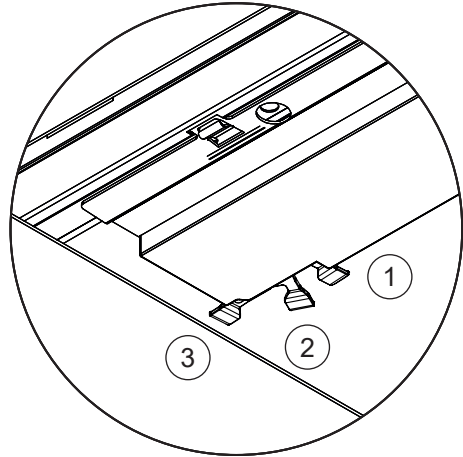
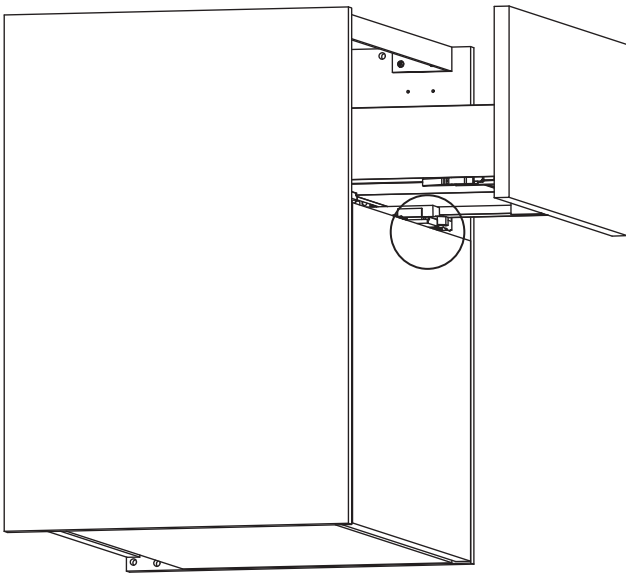
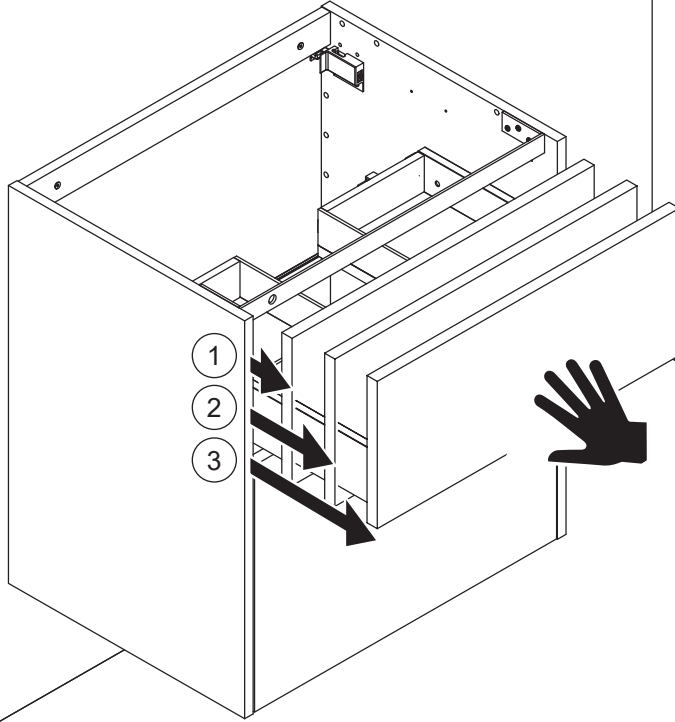
9



10

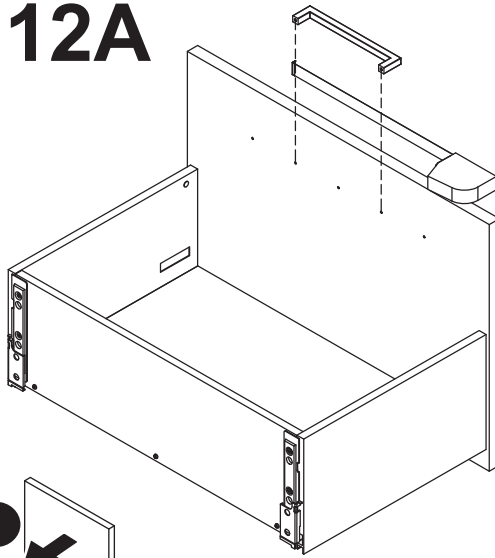
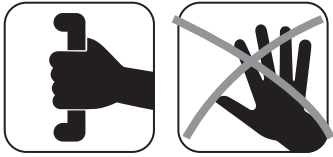


11

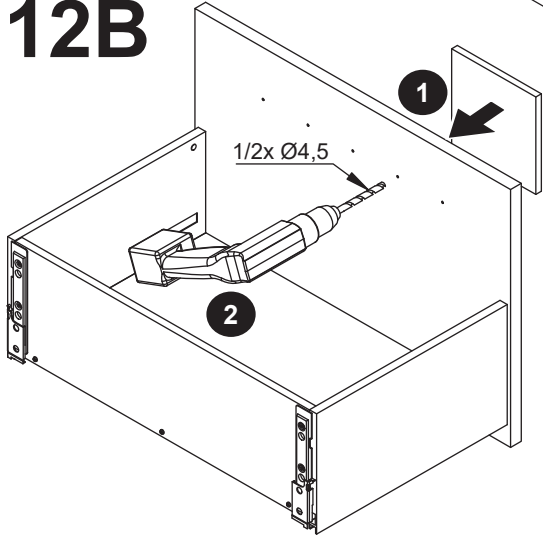


12

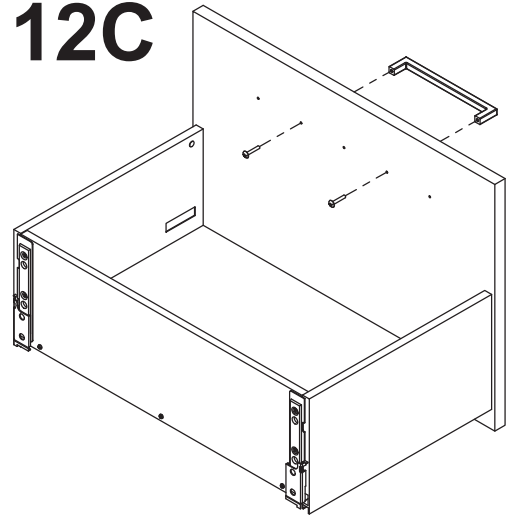
12A



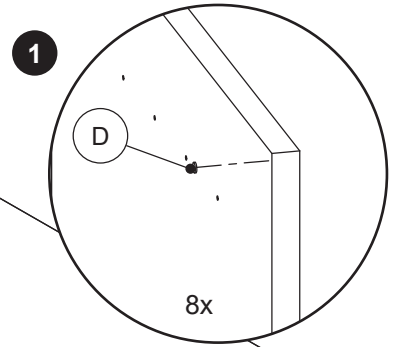
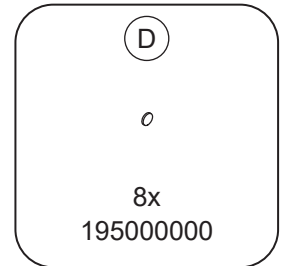
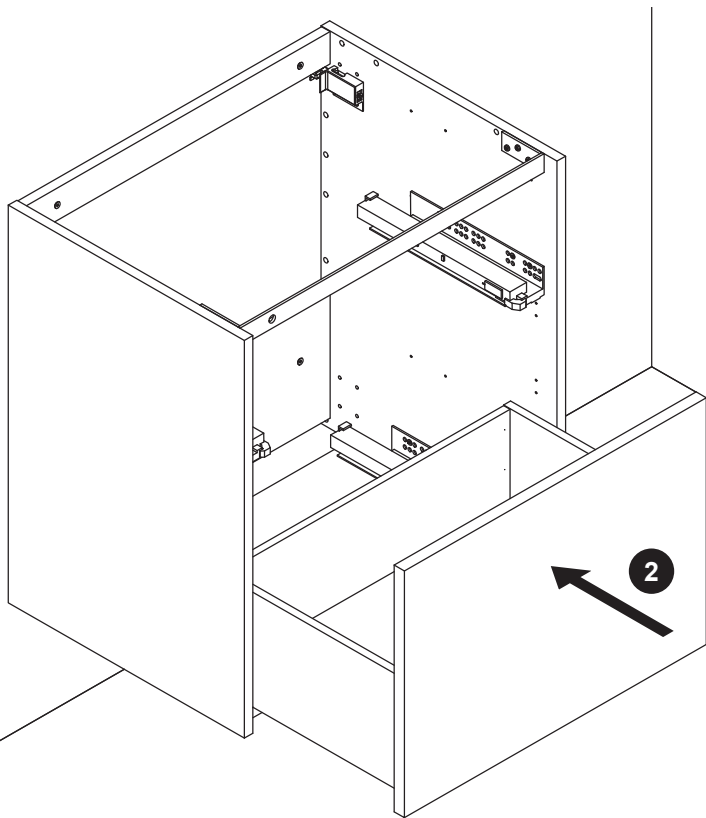
12B



12C



13

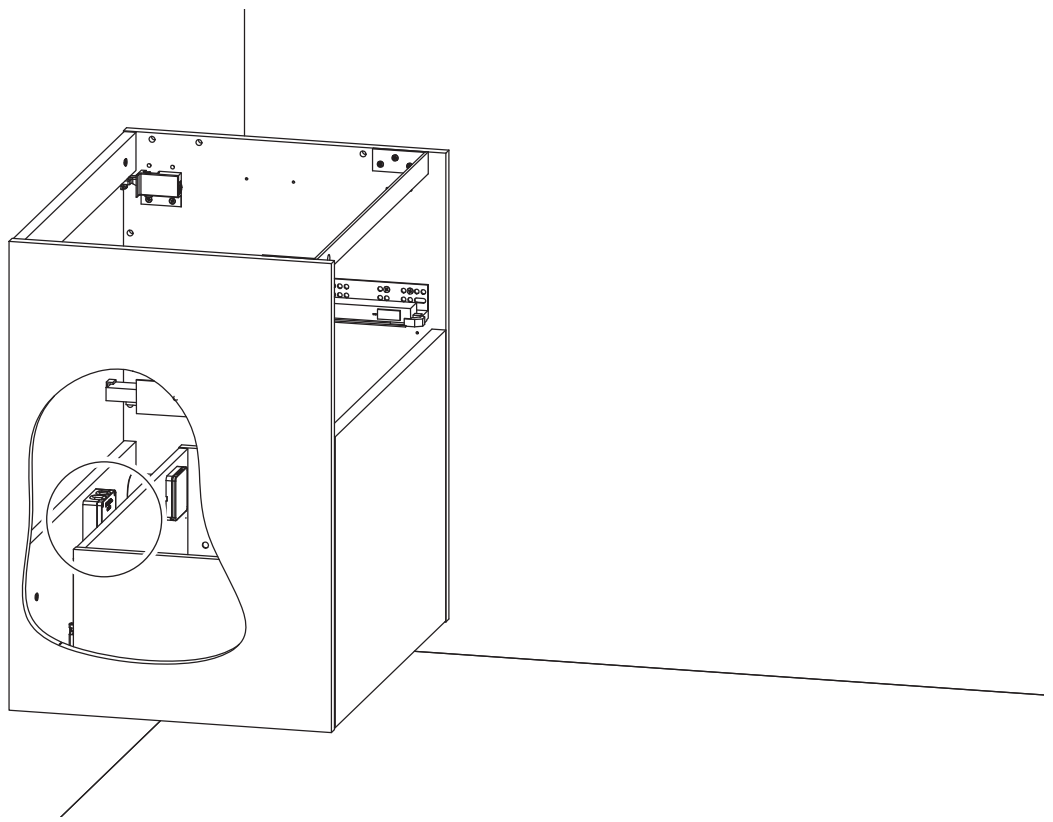


➔ 14

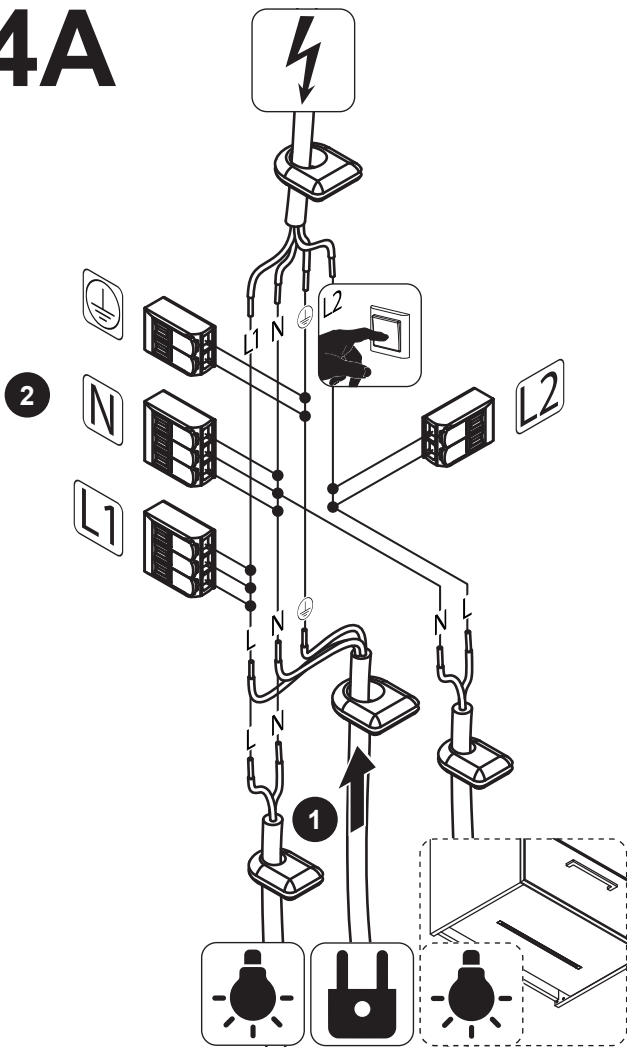


➔ 15

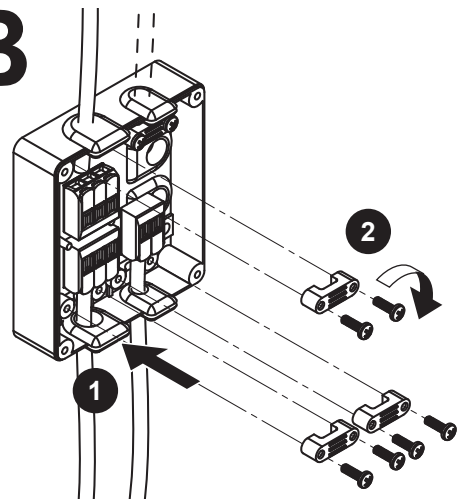
14



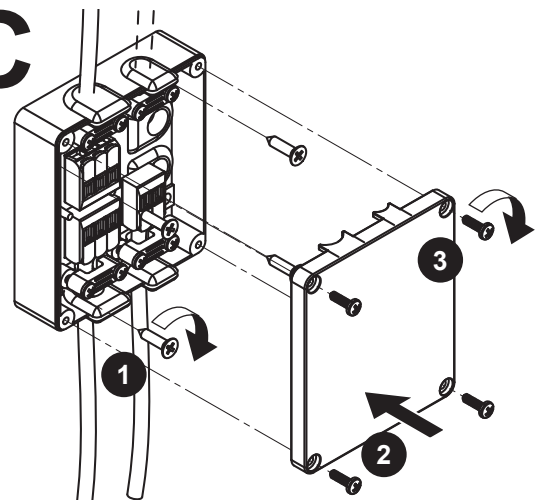
14A



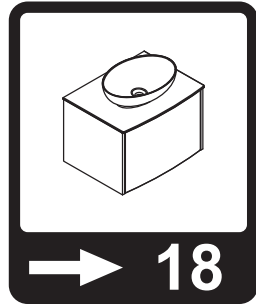
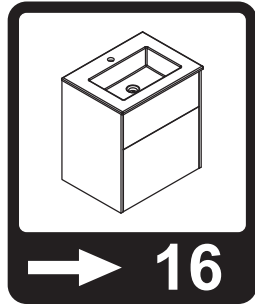
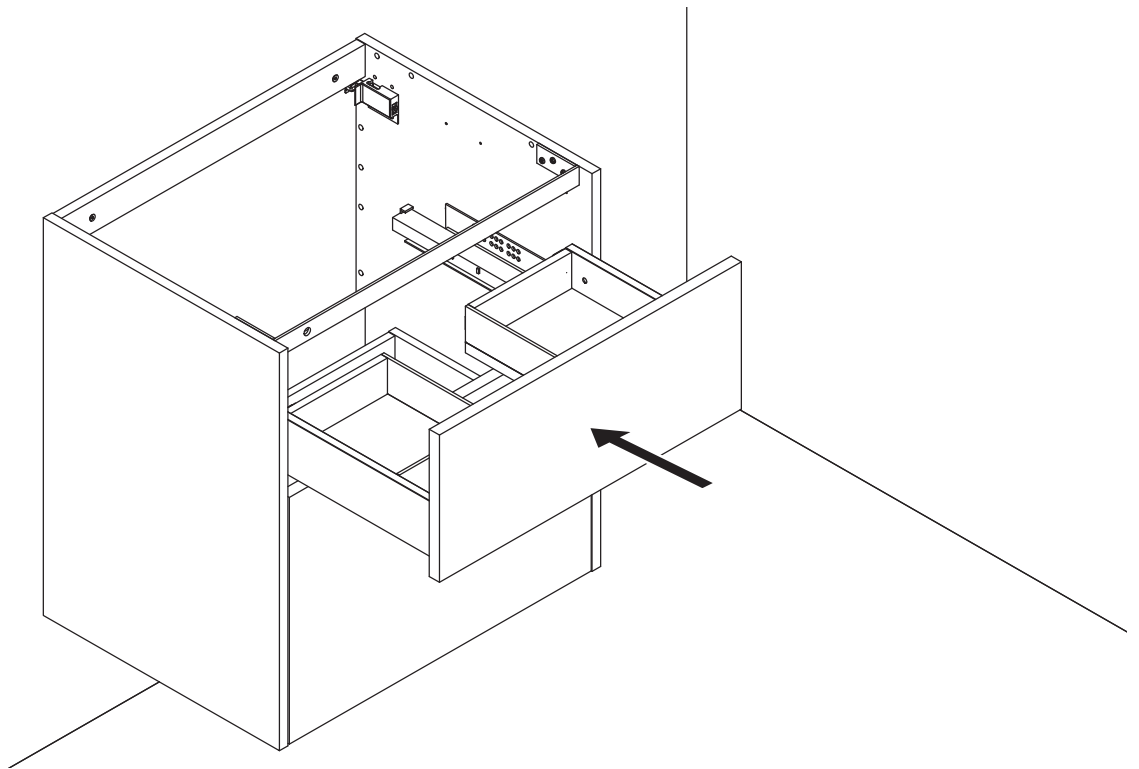
14B



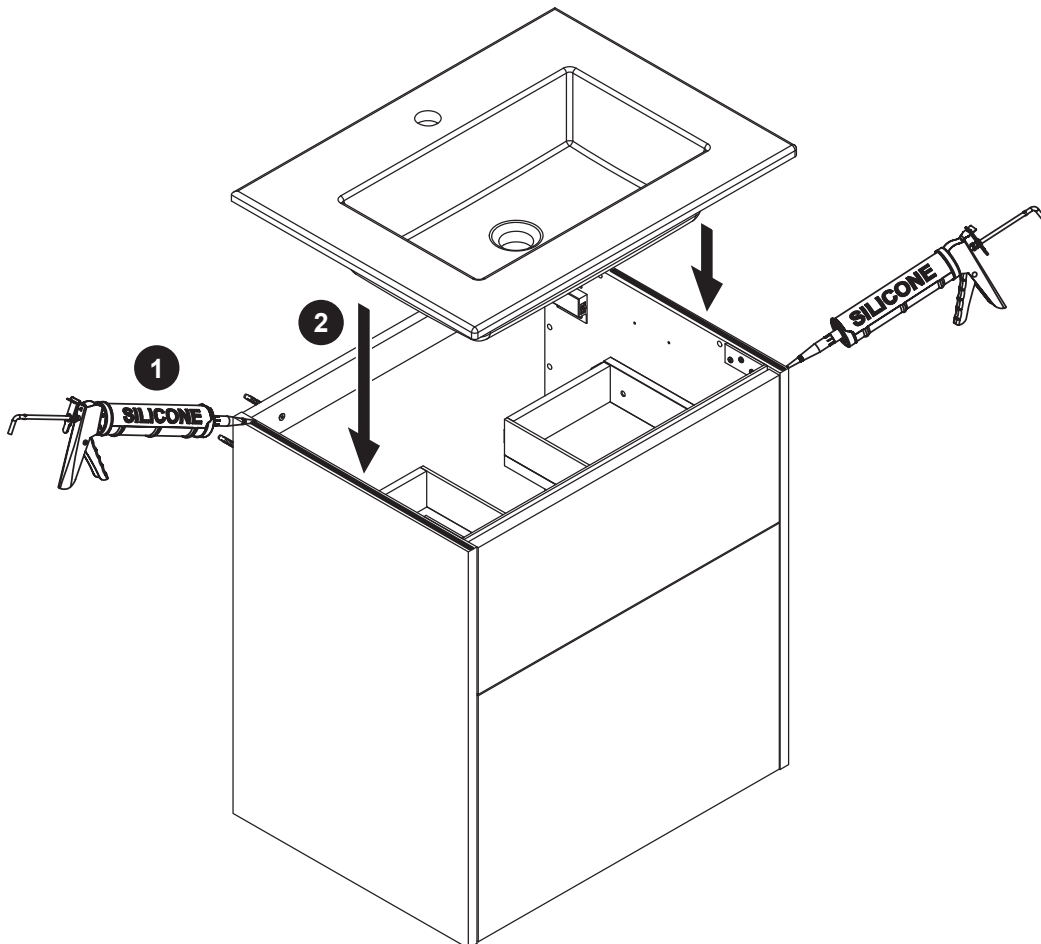
14C



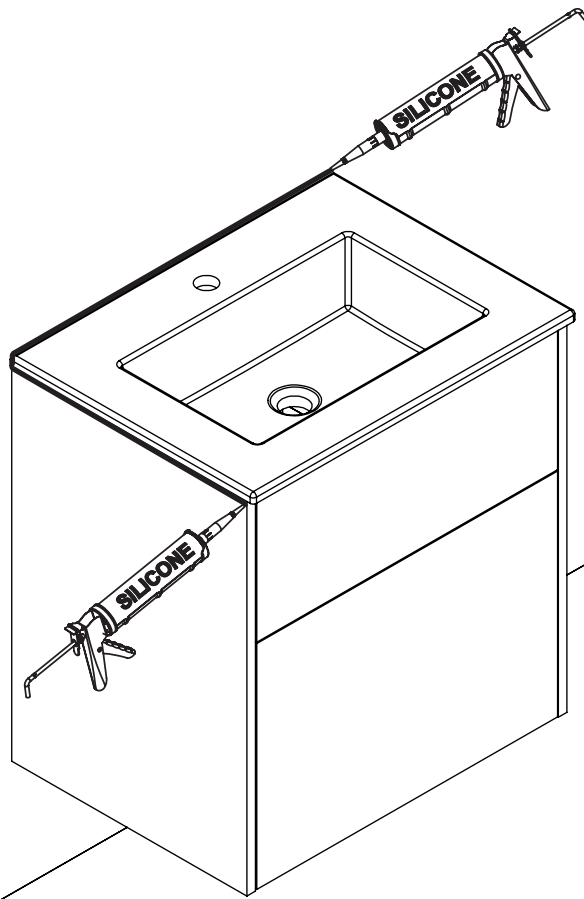
15



16

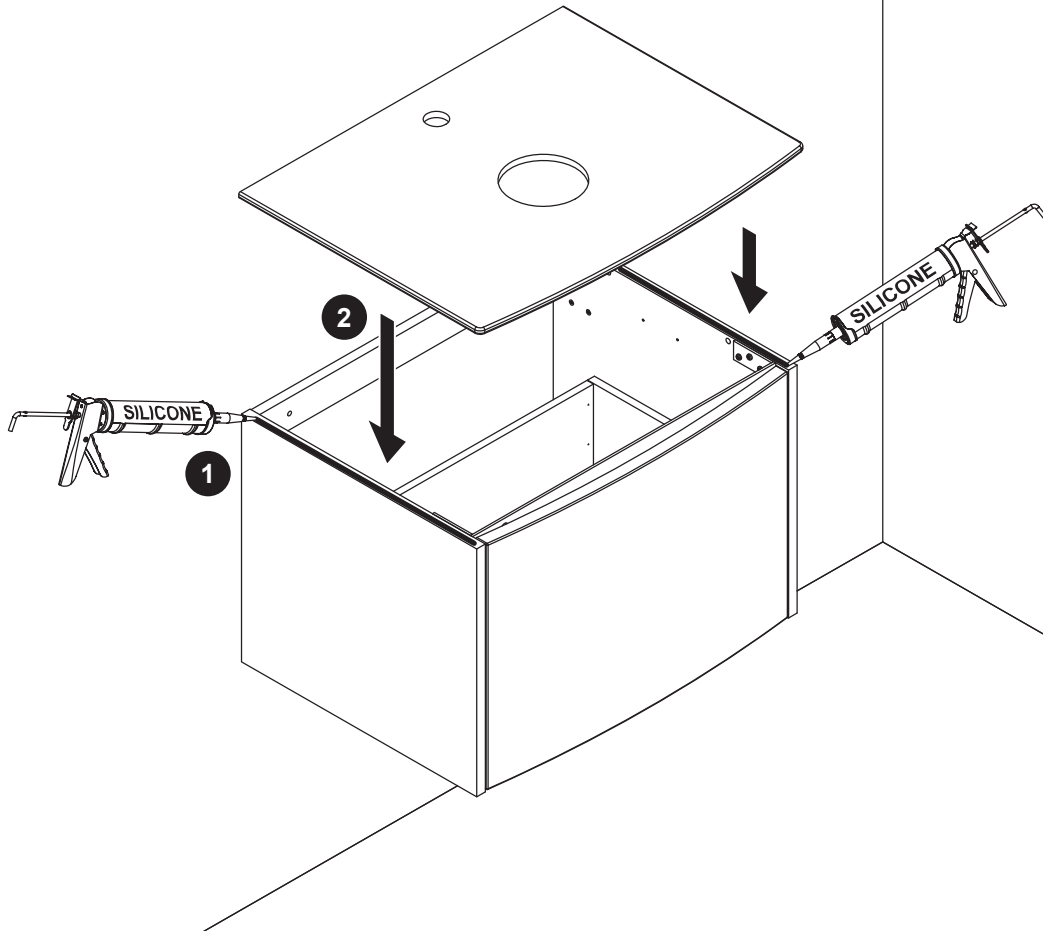


17

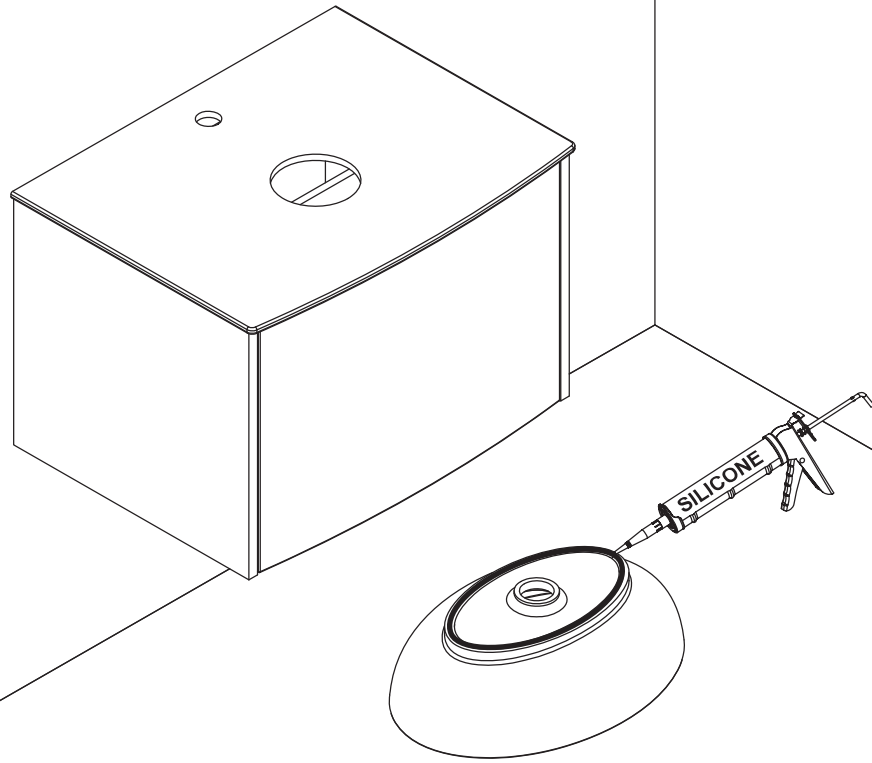


→ 22

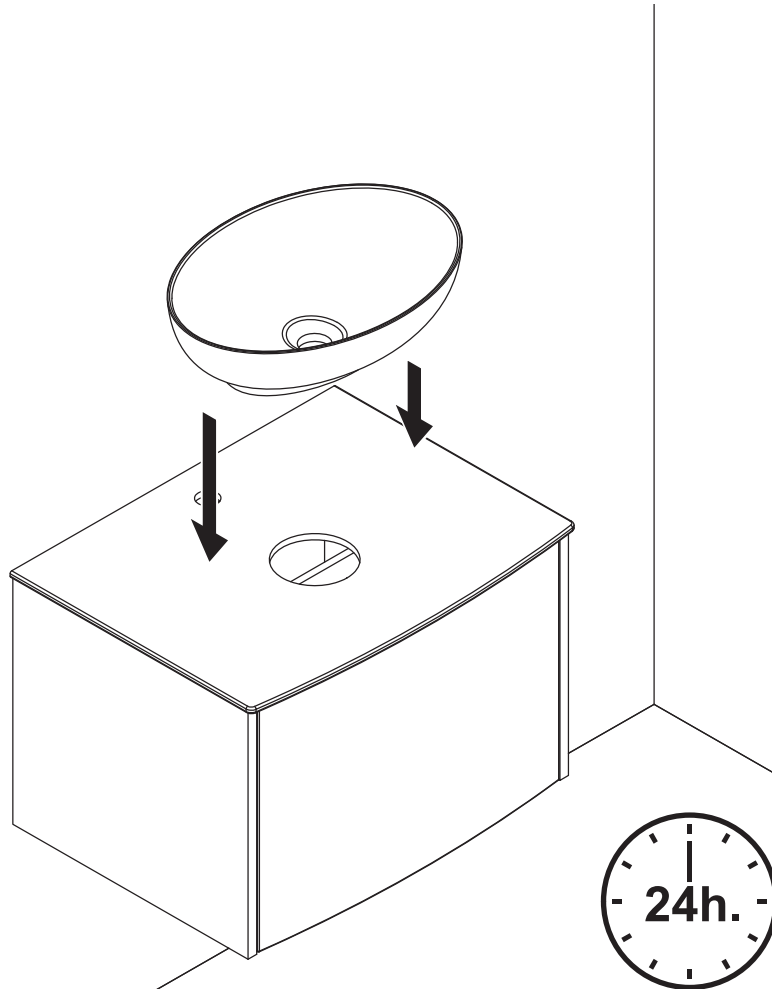
18



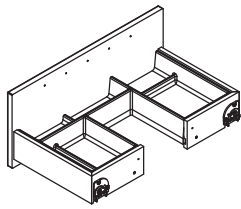
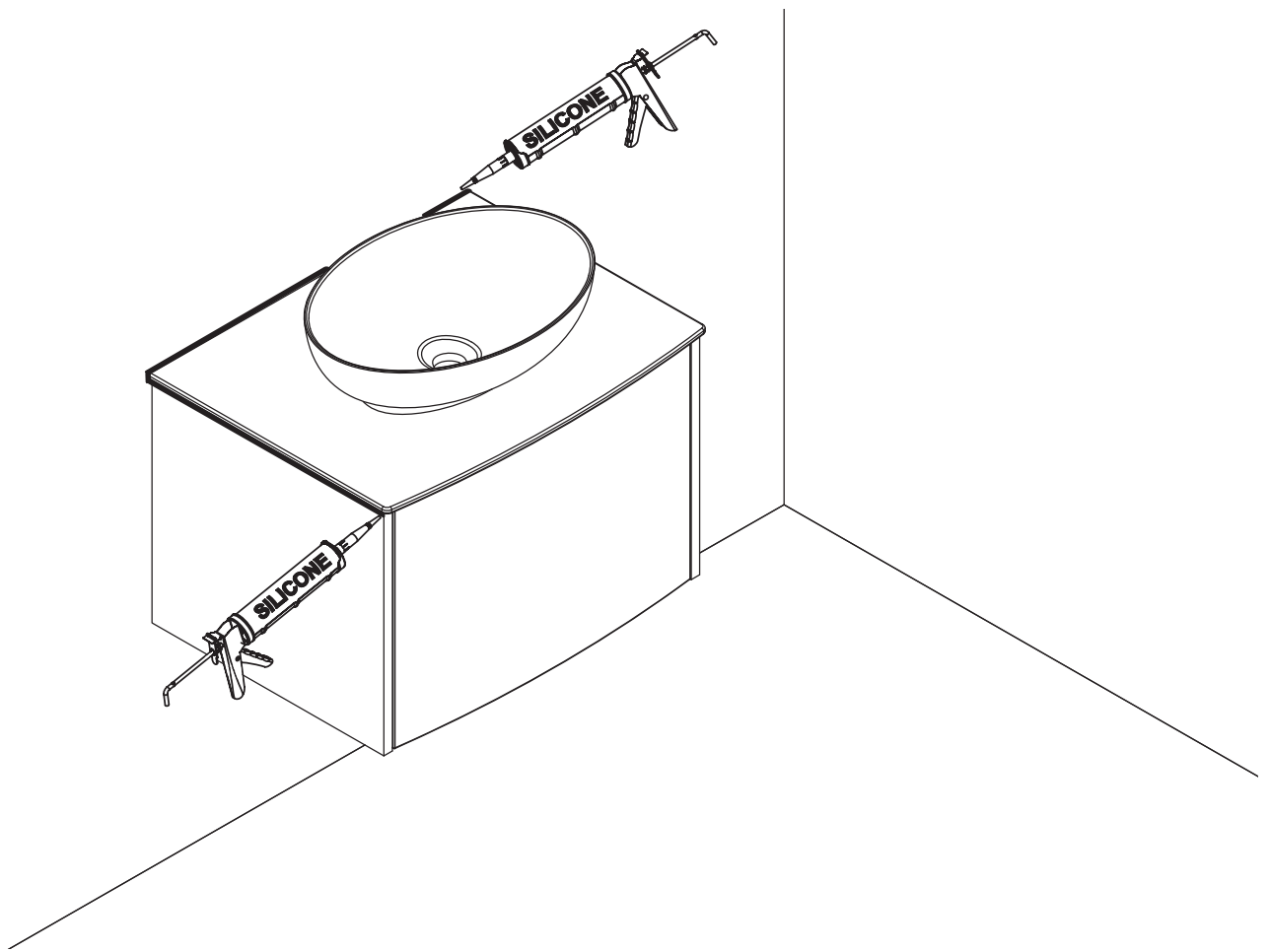
19



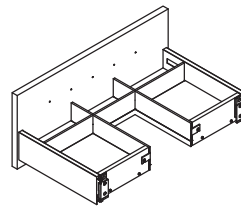
20



21

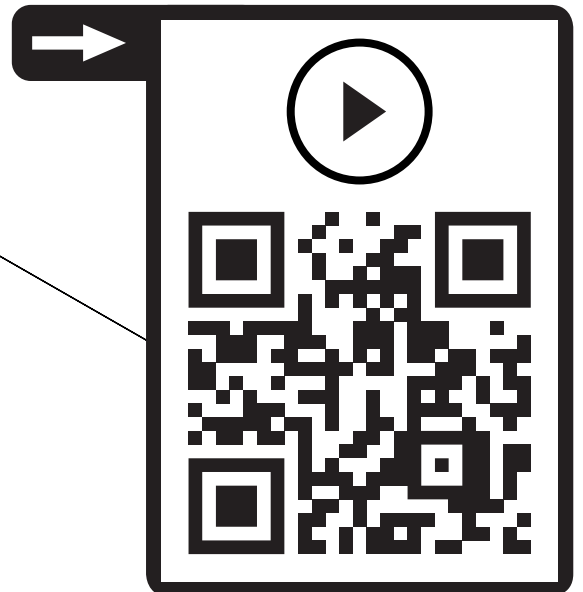
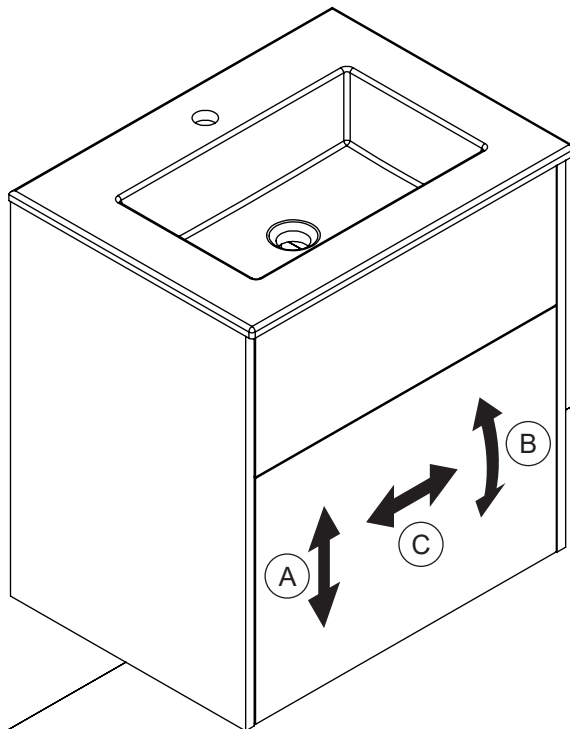


→ 22

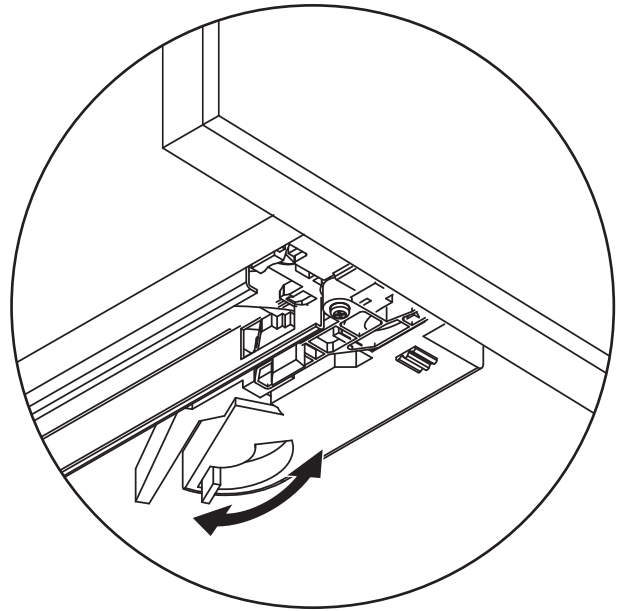
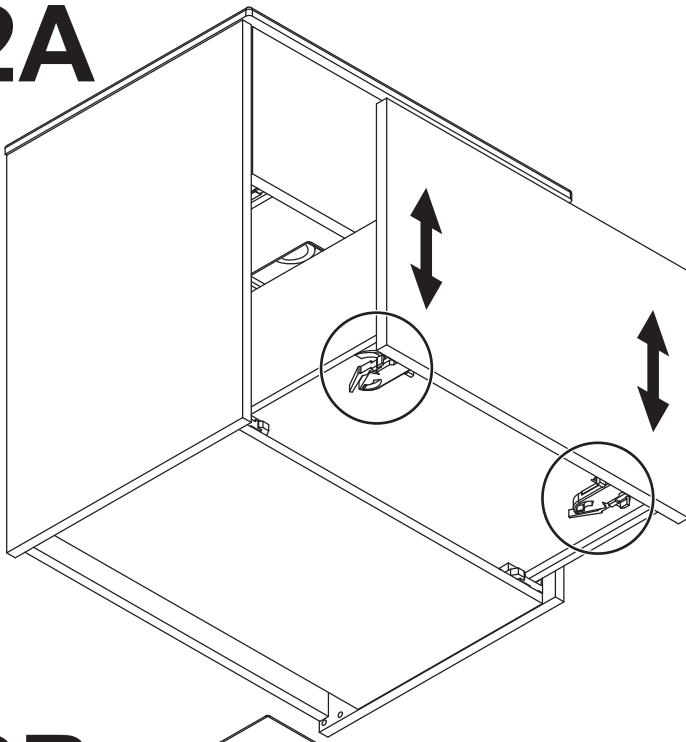


→ 23

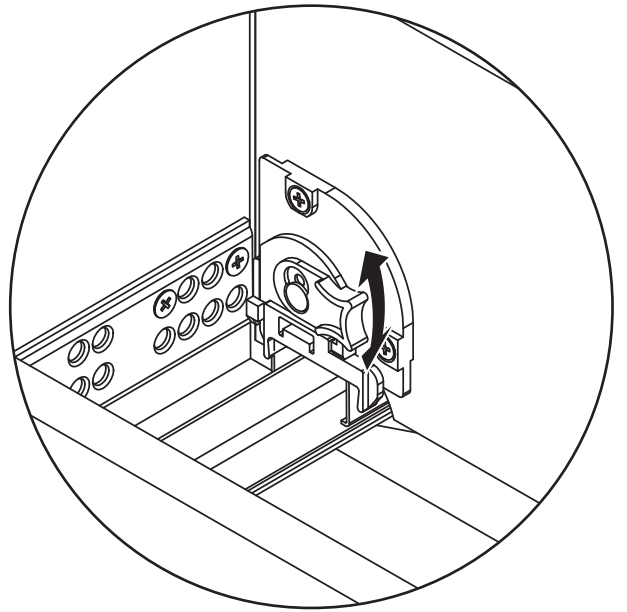
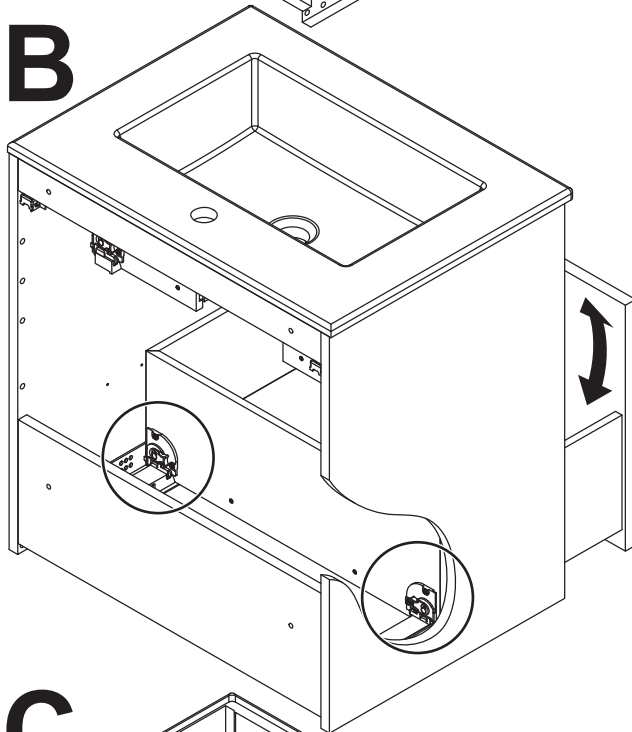
22



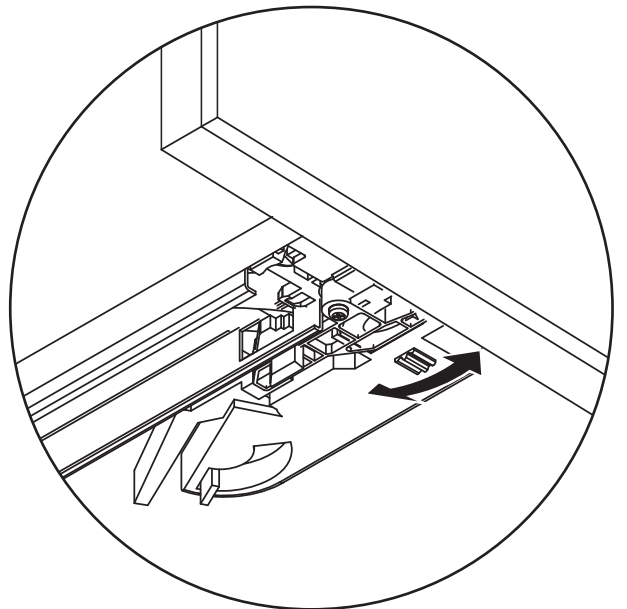
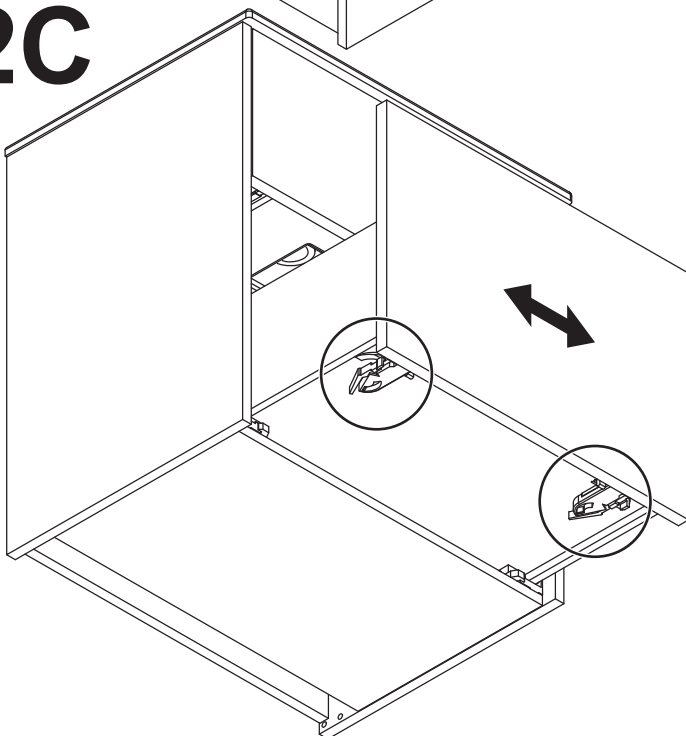
22A



22B



22C



23

