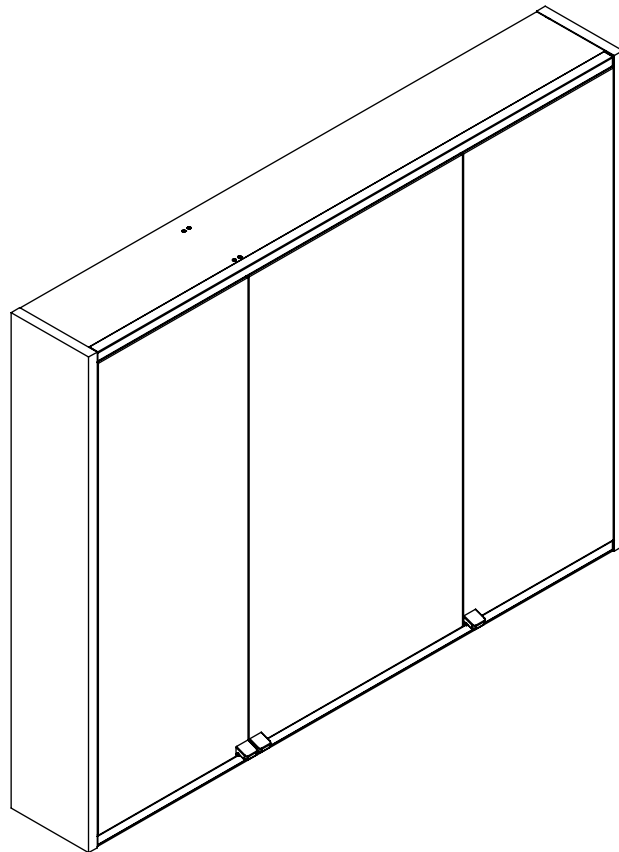
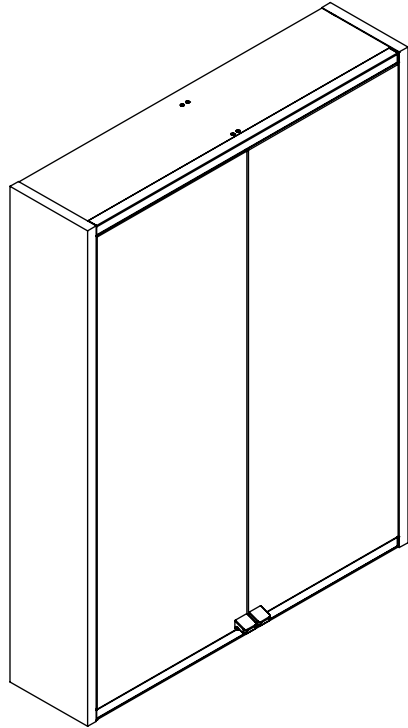
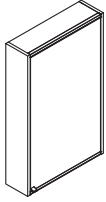




**DANSANI**  
DANISH BATHROOM DESIGN



50cm



6x  
5-500



6x  
5,0-60SU



6x  
390010067



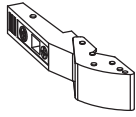
13x  
415533



2x  
19500000



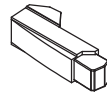
1x  
840400147



2x  
190040240



2x  
3,5-20SU



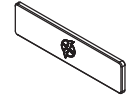
1x  
190040631



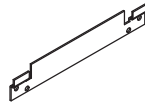
1x  
190040632



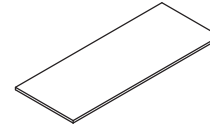
1x  
390010110



1x  
520800100



1x  
5467x0000

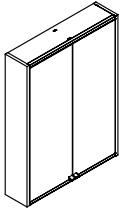


3x  
820851101



1x  
190040310

60cm  
80cm  
100cm



6x  
5-500



6x  
5,0-60SU



6x  
390010067



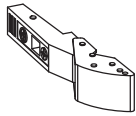
24x  
415533



2x  
19500030



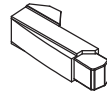
2x  
840400147



4x  
190040240



4x  
3,5-20SU



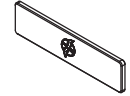
2x  
190040631



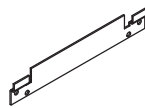
2x  
190040632



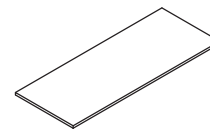
2x  
390010110



1x  
520800100



1x  
5467x0000

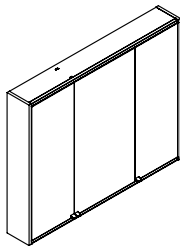


6x  
8208x0101



1x  
190040310

100cm  
120cm



6x  
5-500



6x  
5,0-60SU



6x  
390010067



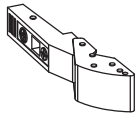
36x  
415533



4x  
19500030



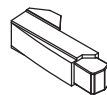
3x  
840400147



6x  
190040240



6x  
3,5-20SU



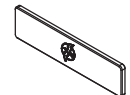
3x  
190040631



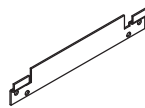
3x  
190040632



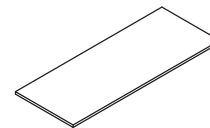
3x  
390010110



1x  
520800100



1x  
5467x0000

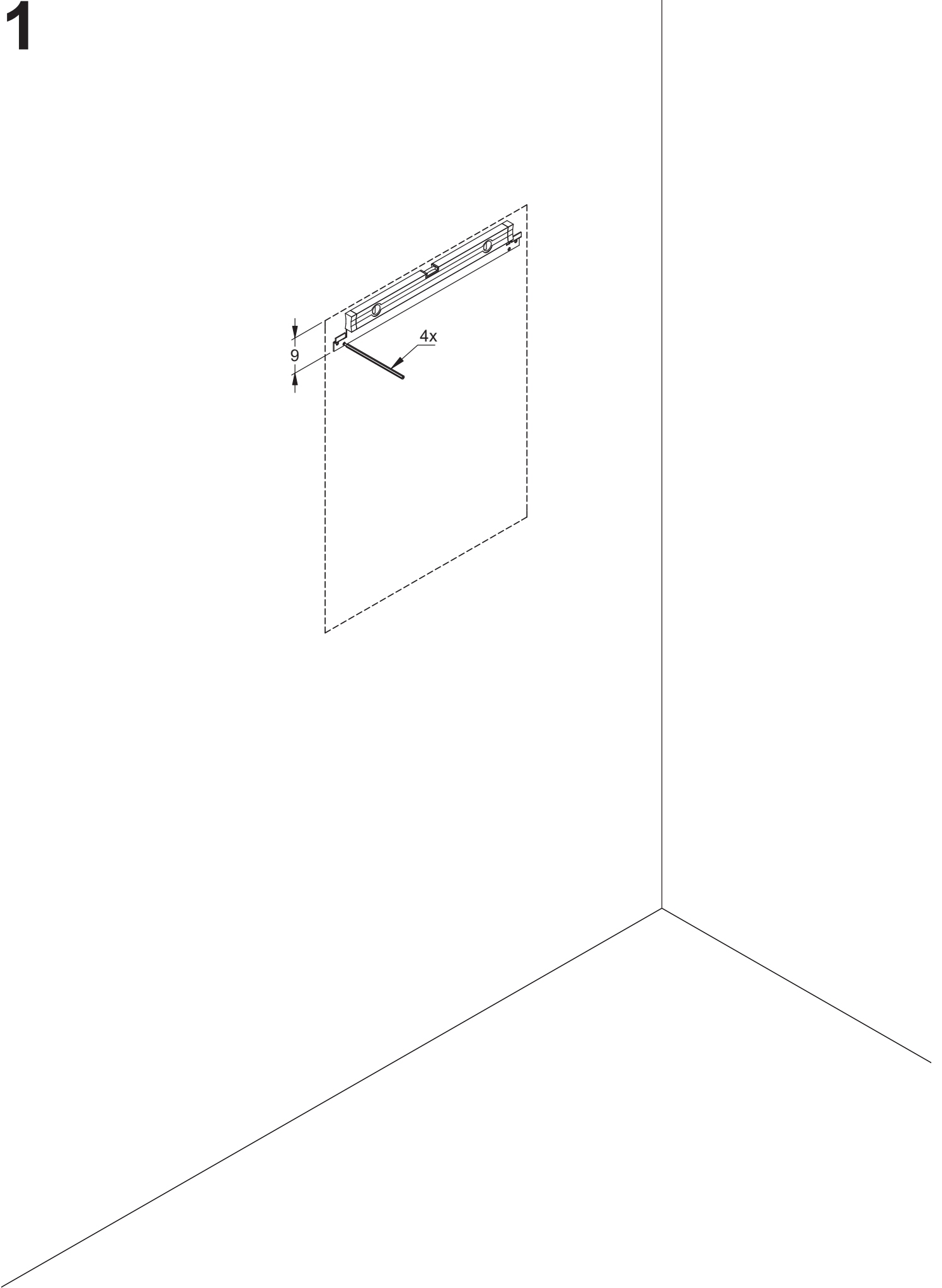
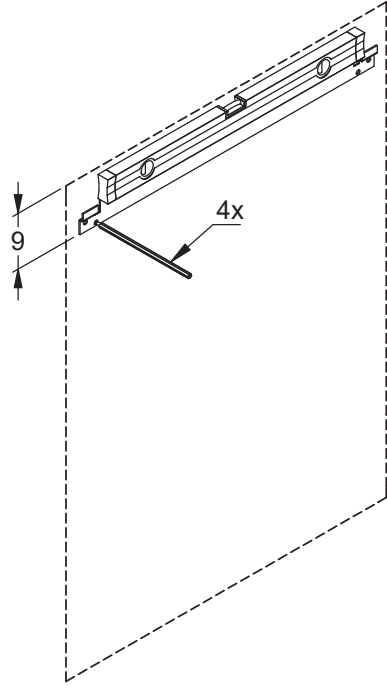


9x  
8208x0101

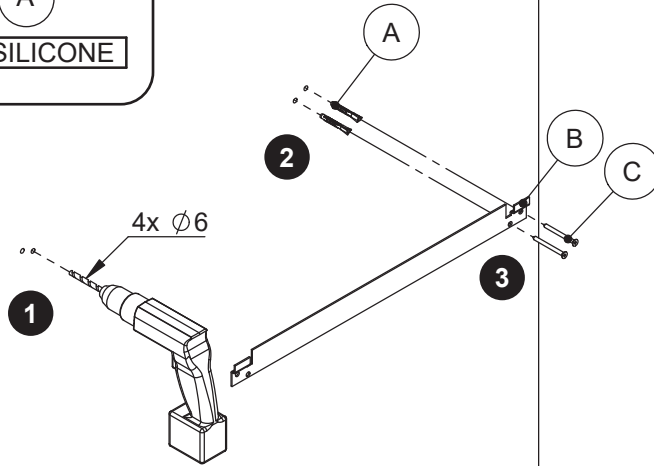
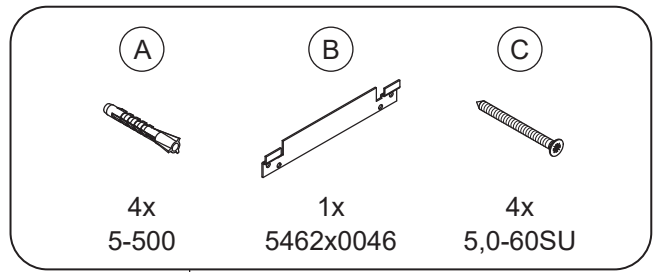
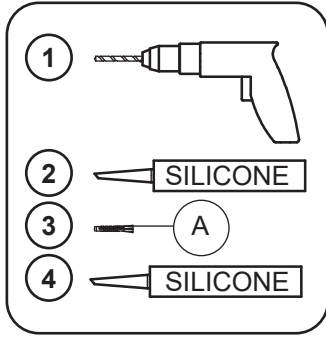


1x  
190040310

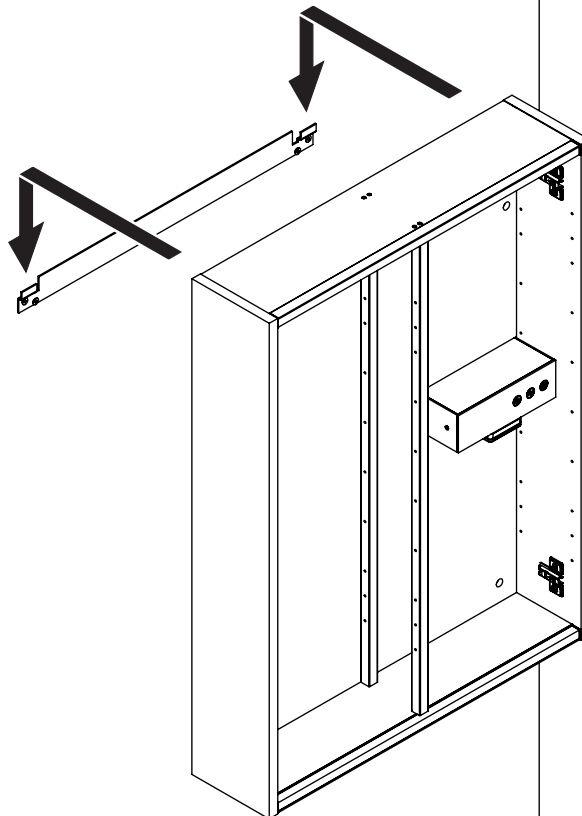
1



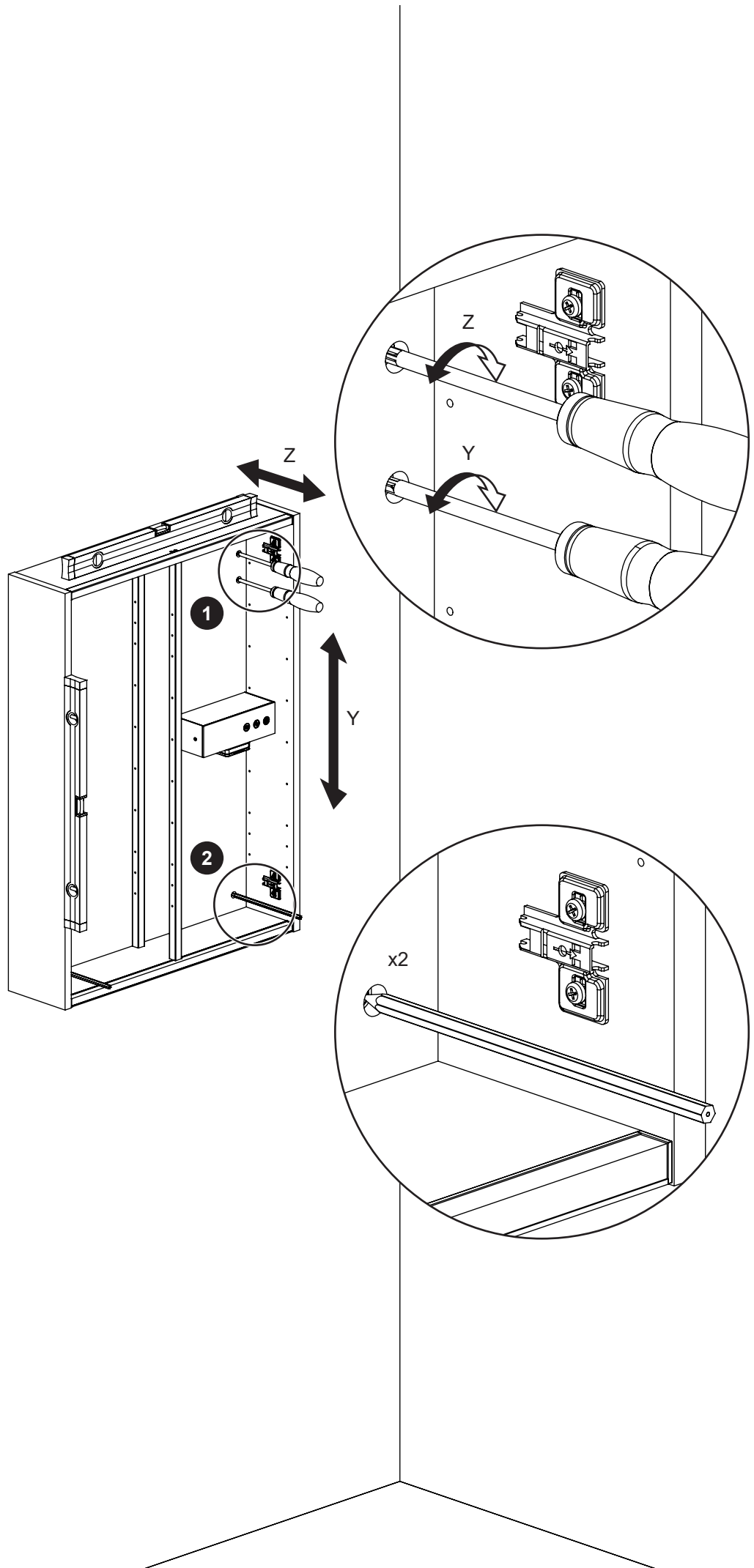
# 2



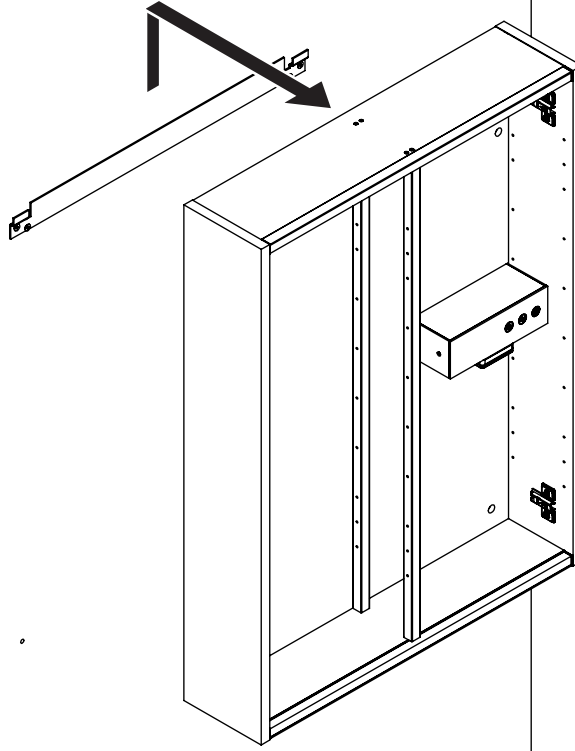
# 3



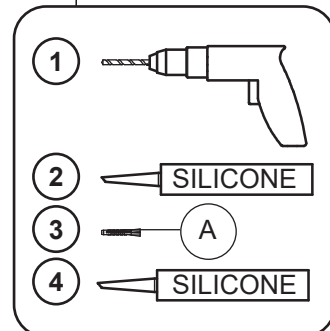
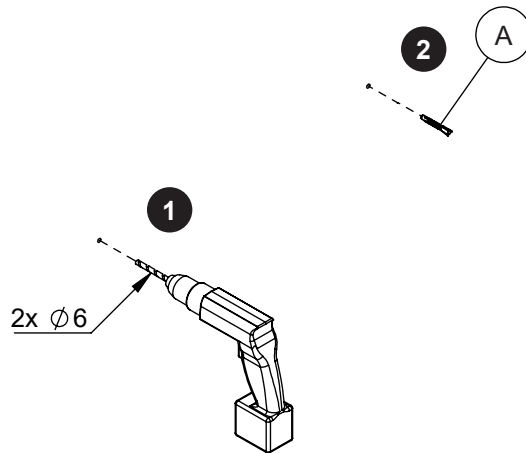
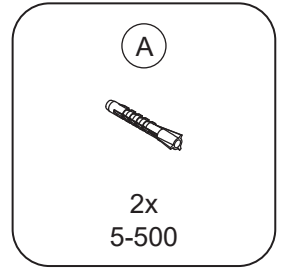
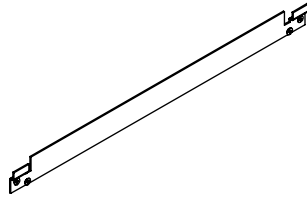
4



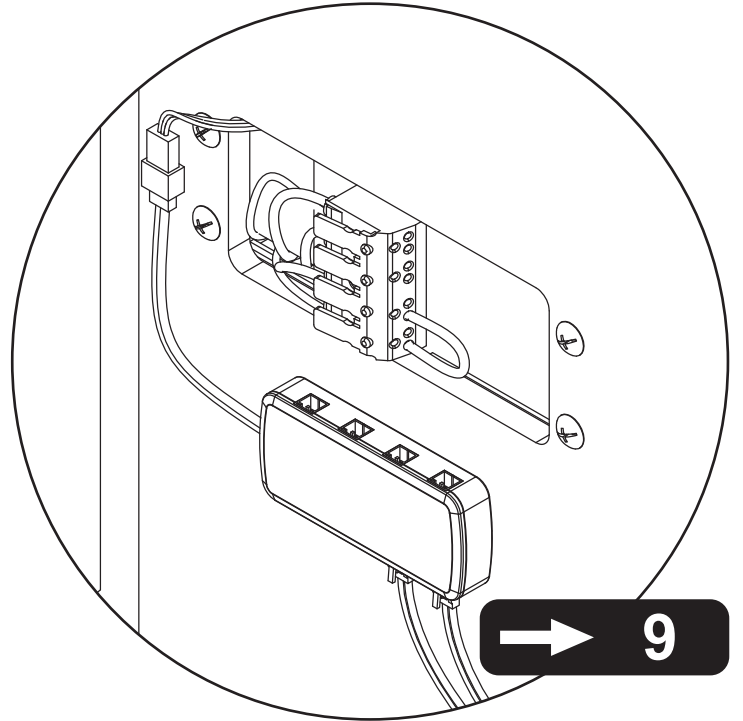
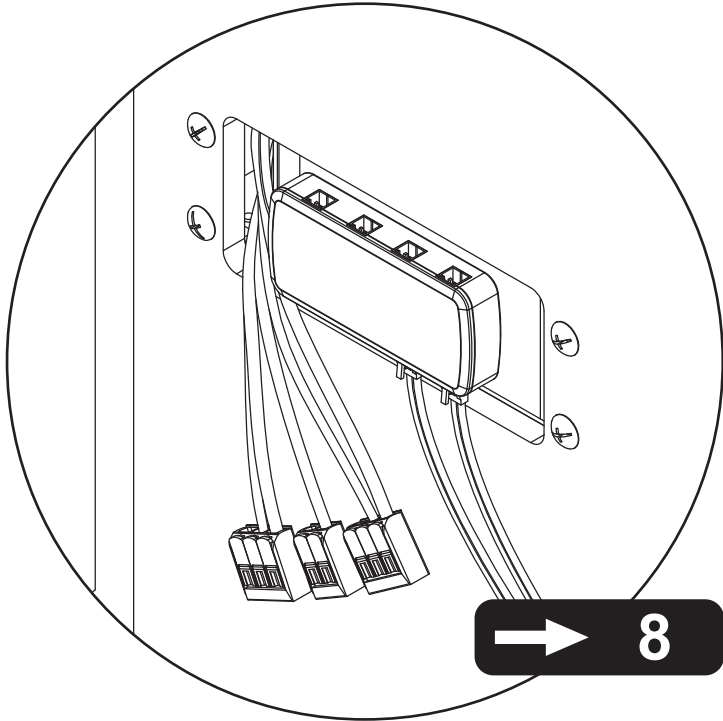
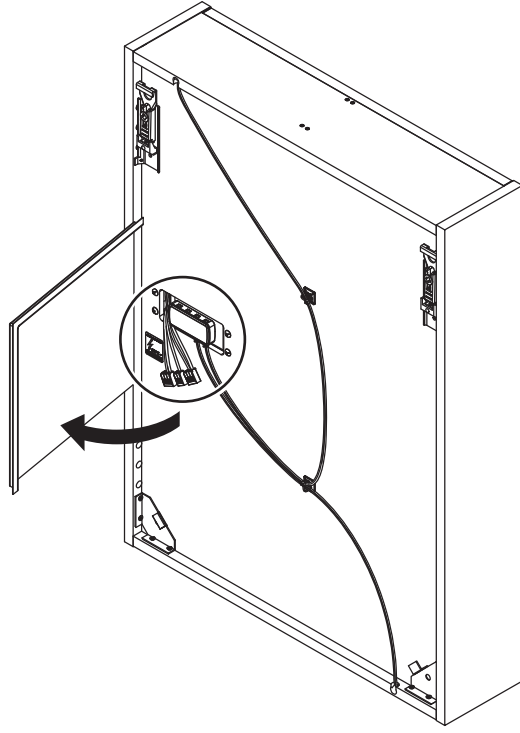
5

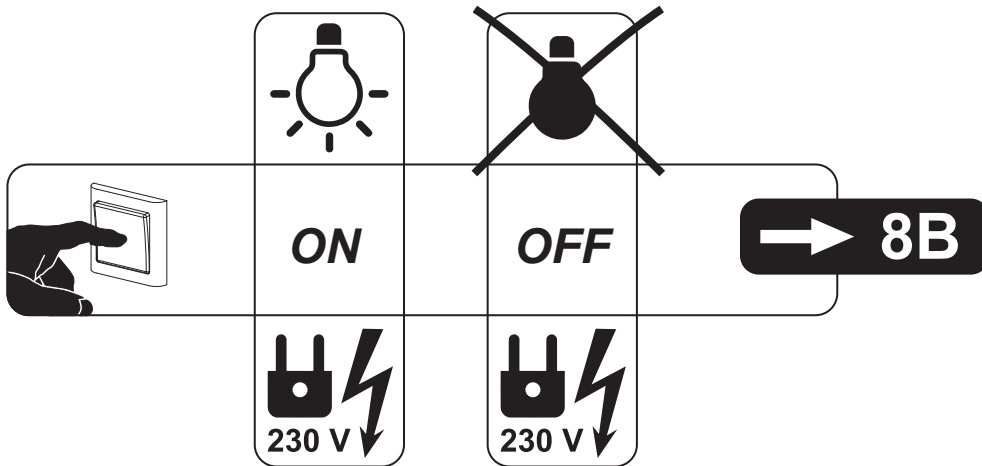
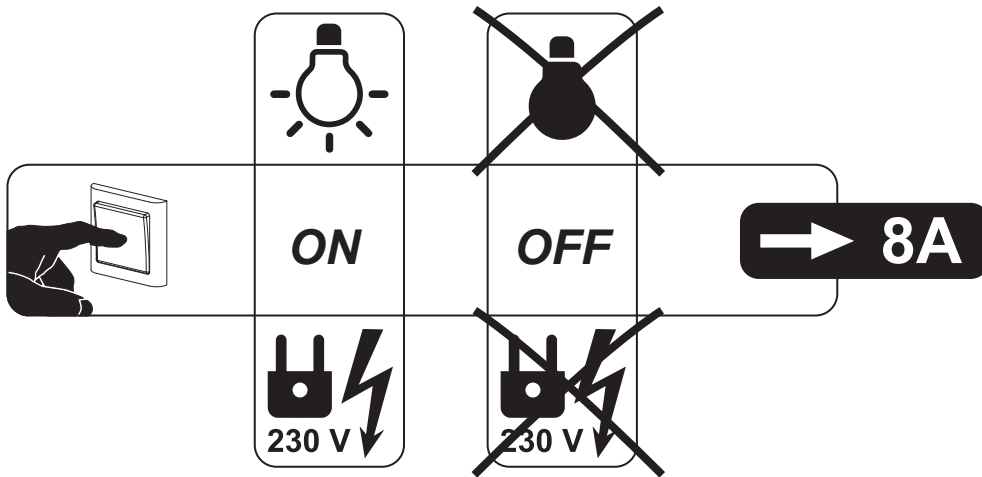
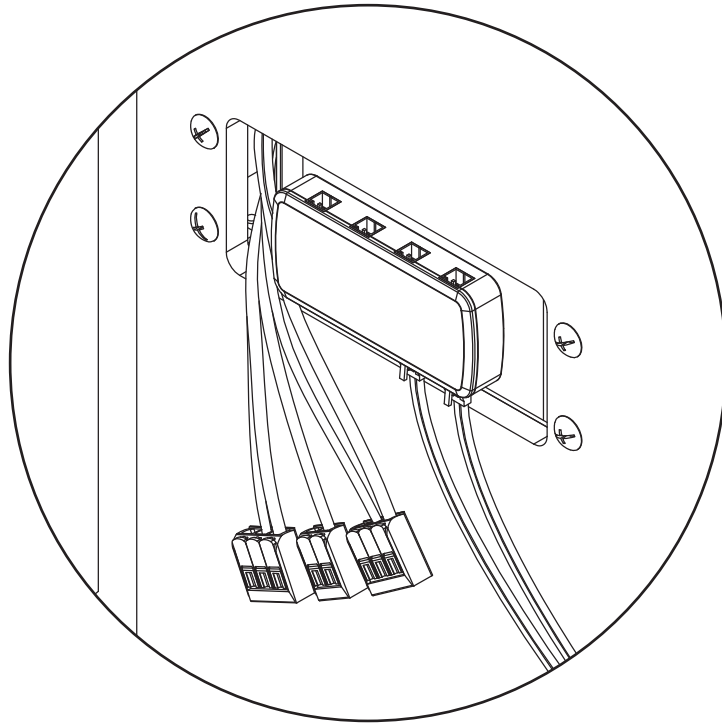


6



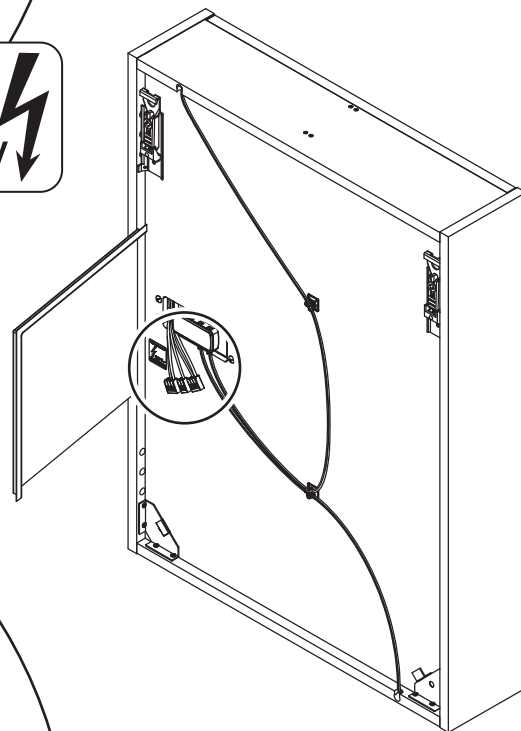
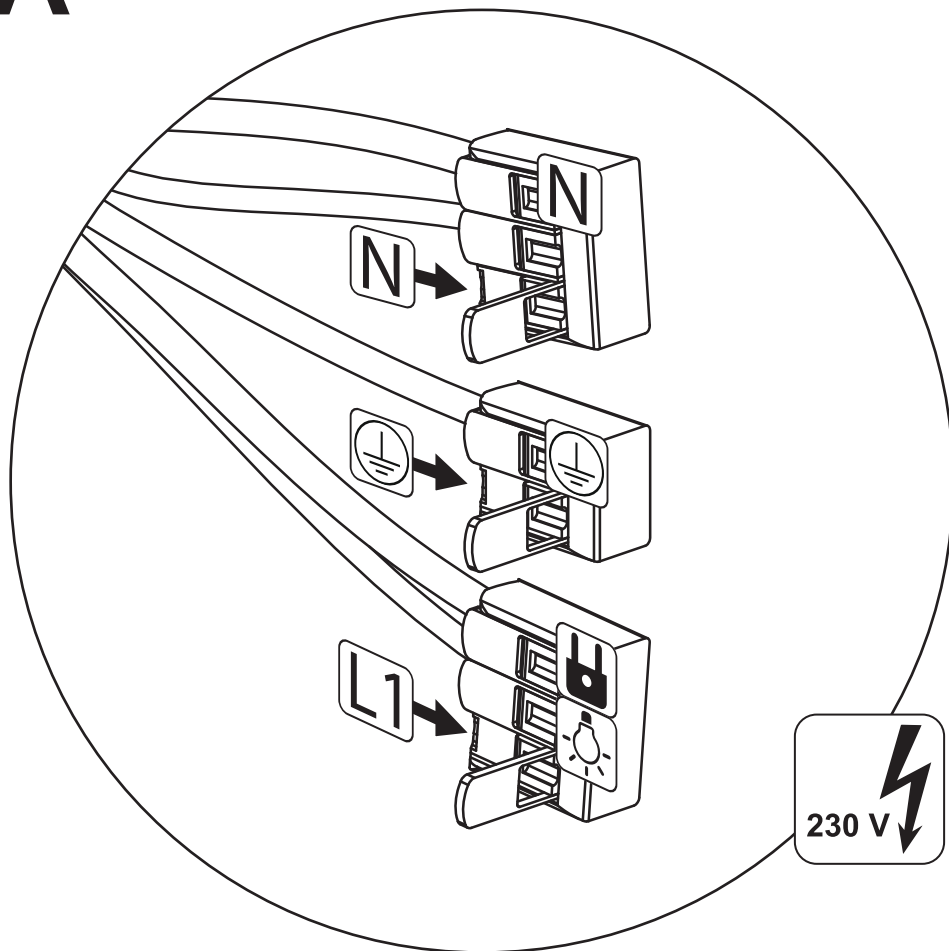
7



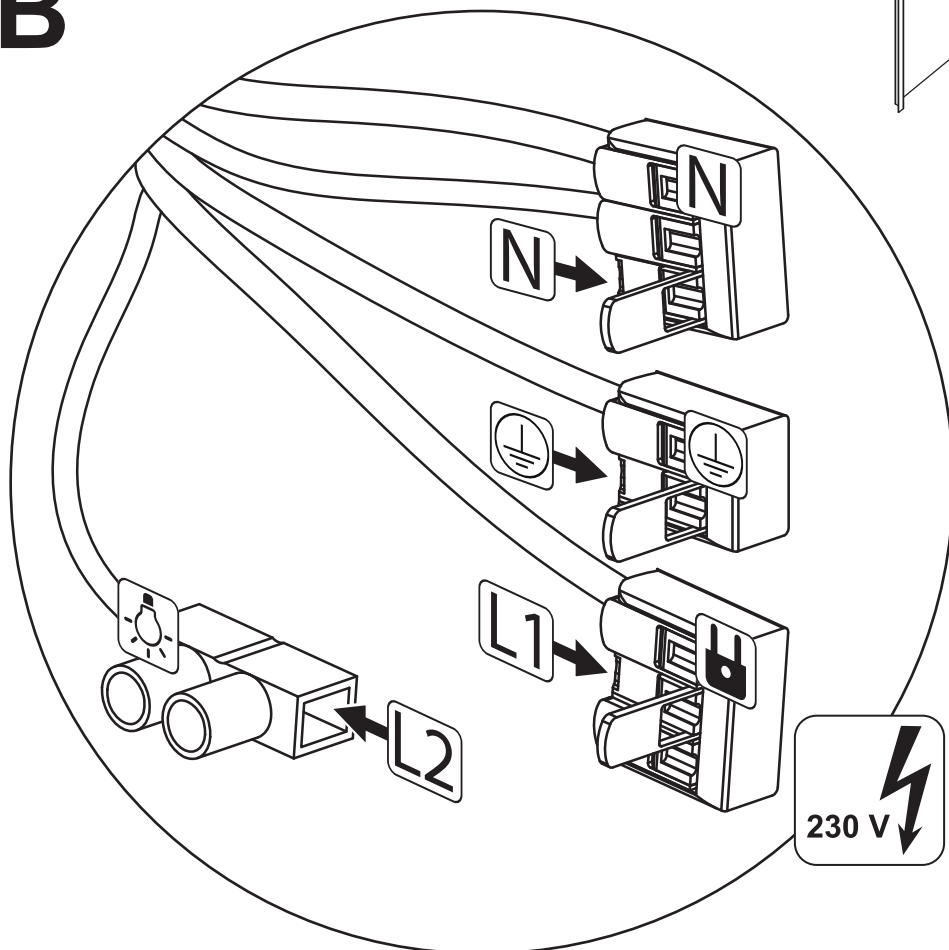


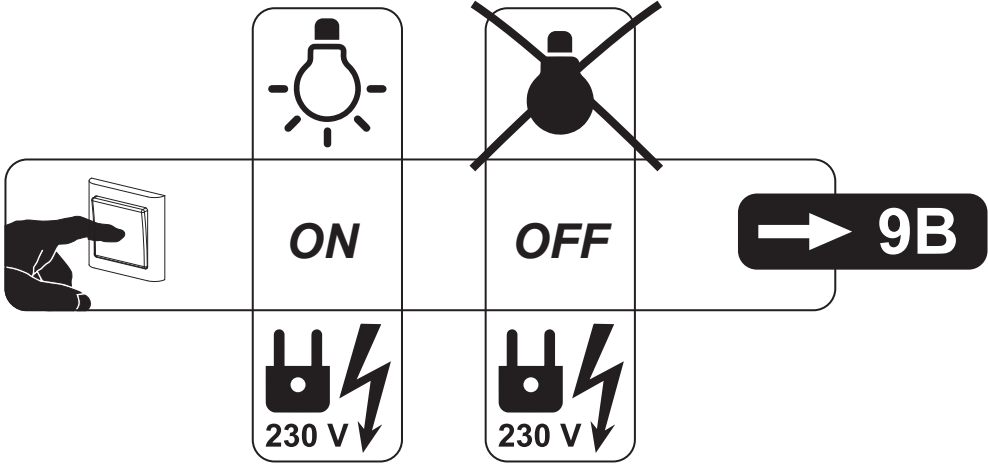
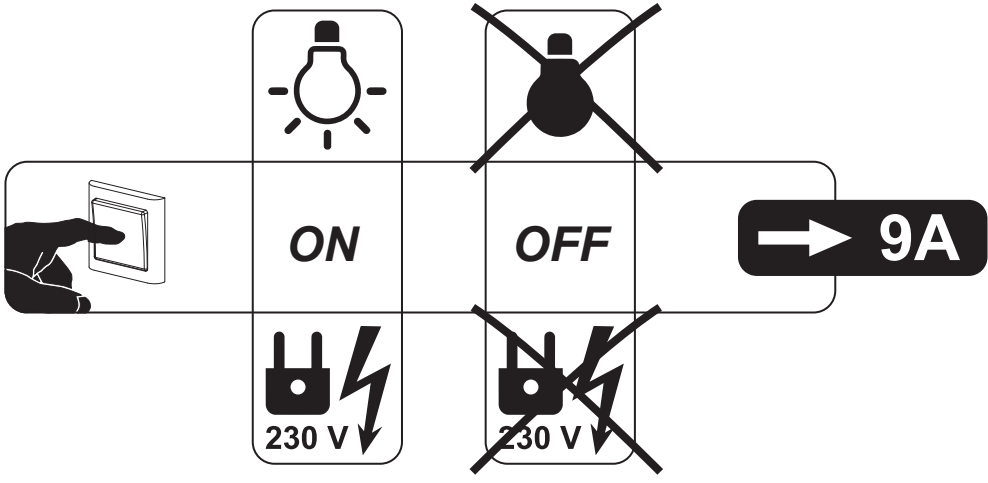
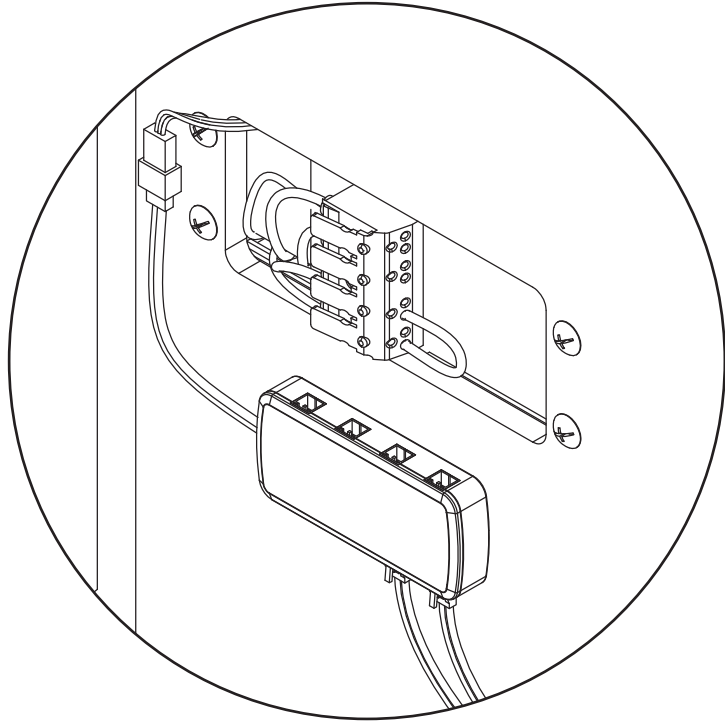


# 8A

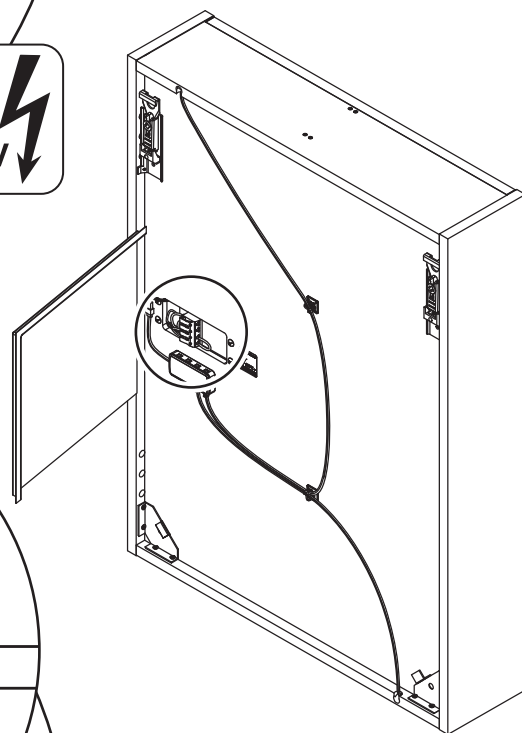
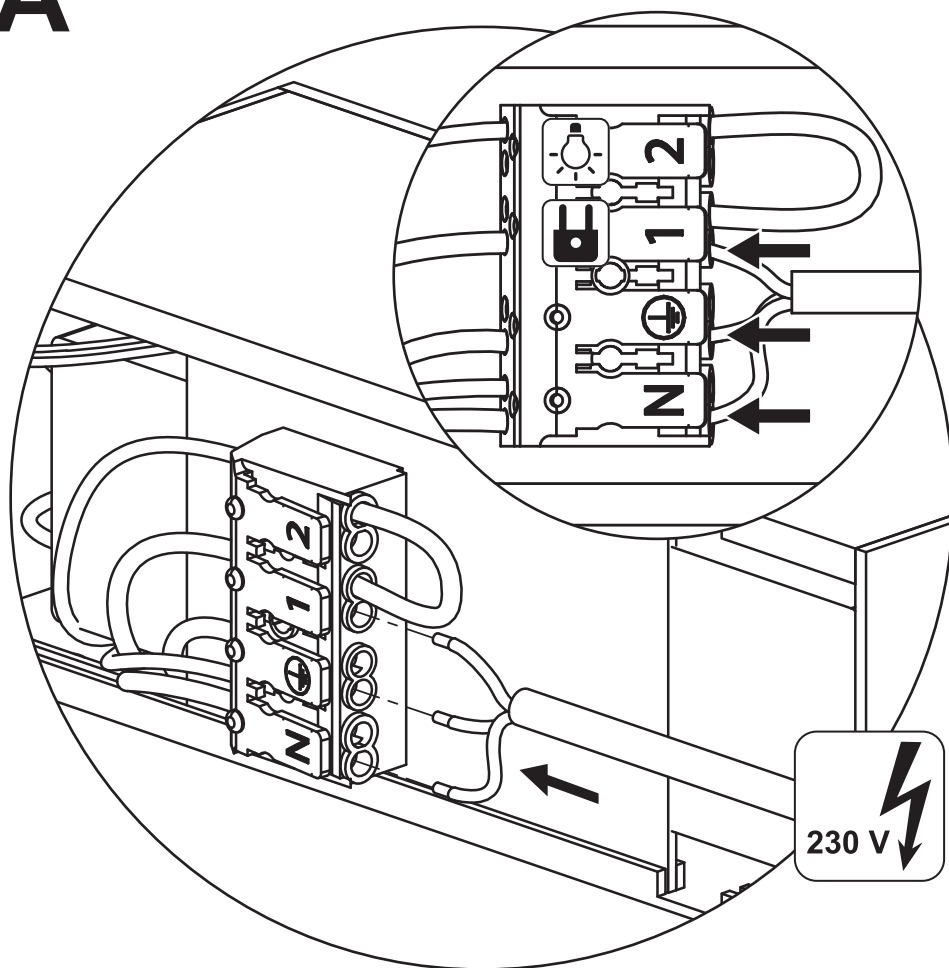


# 8B

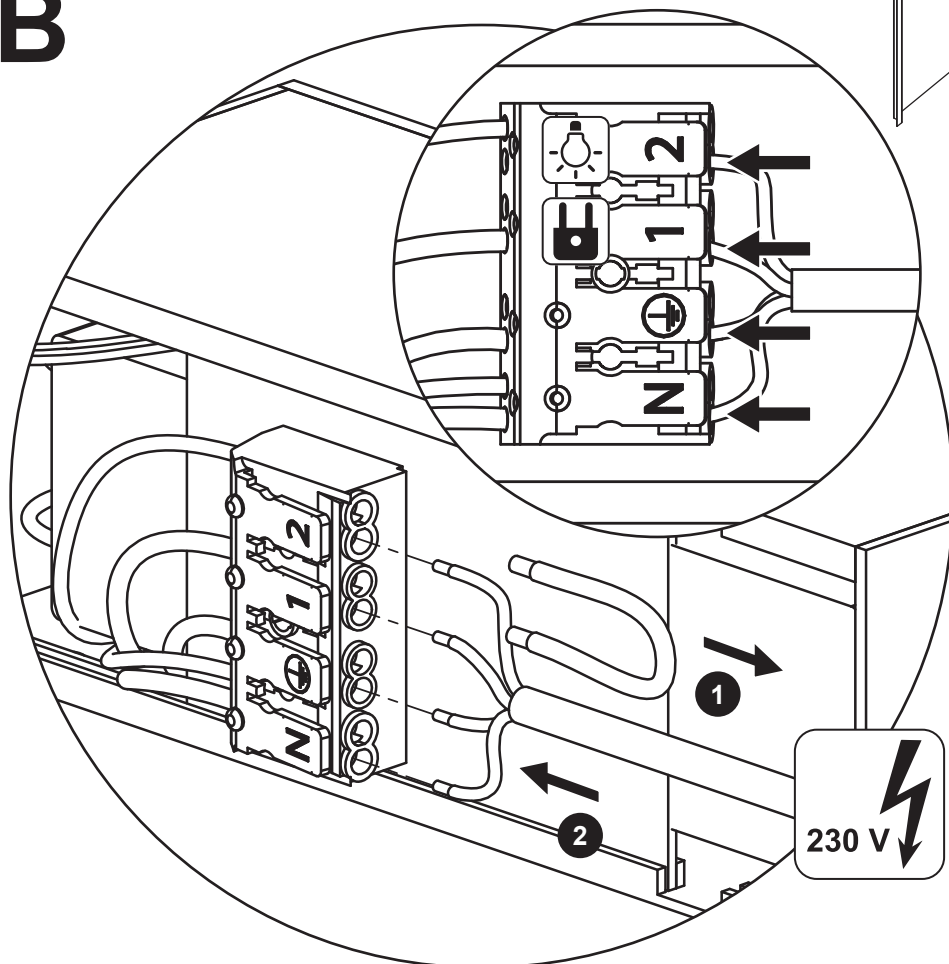




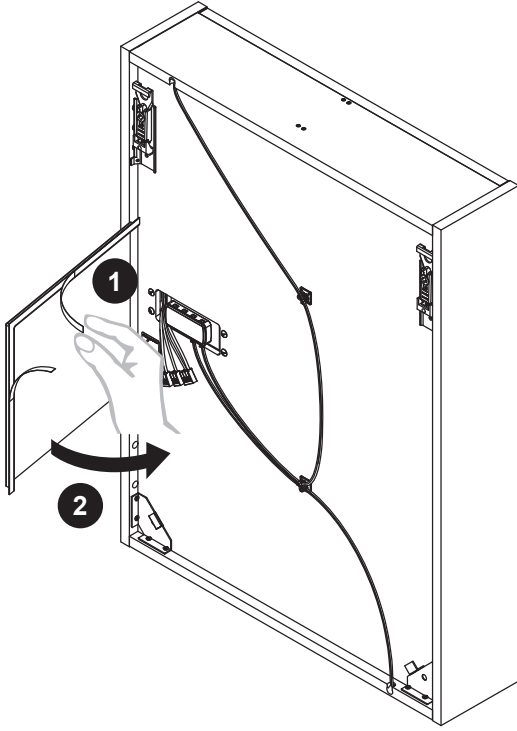
# 9A



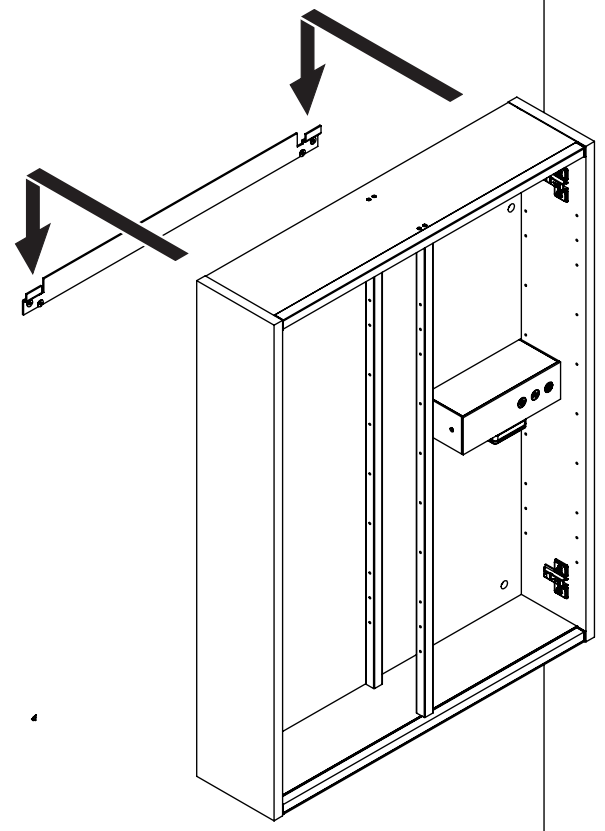
# 9B



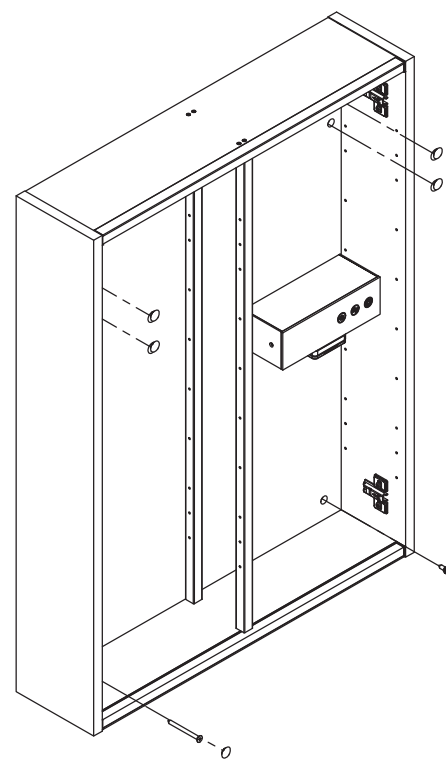
# 9







# 10

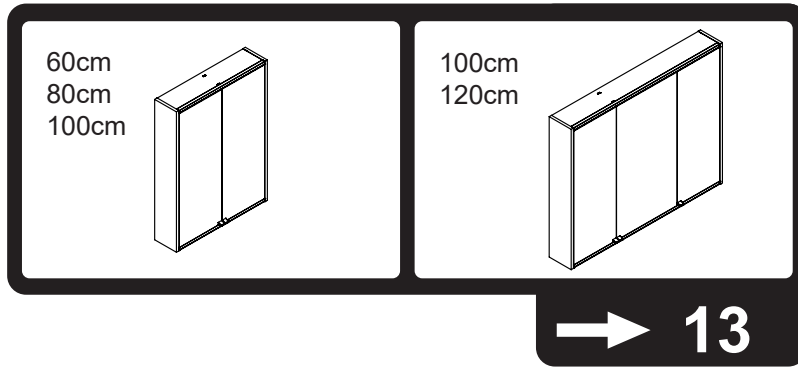


# 11

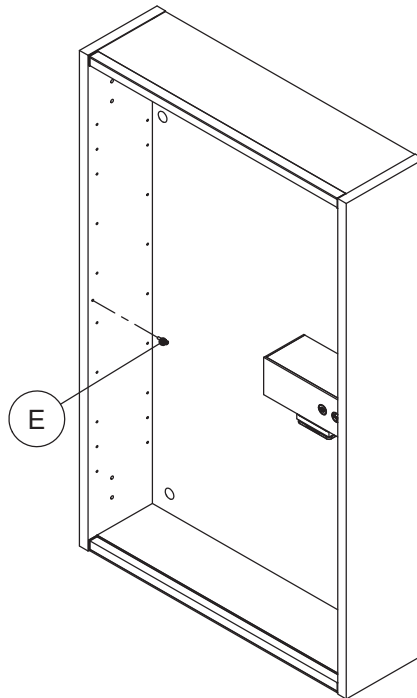
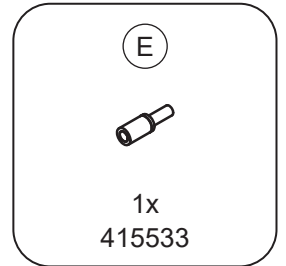
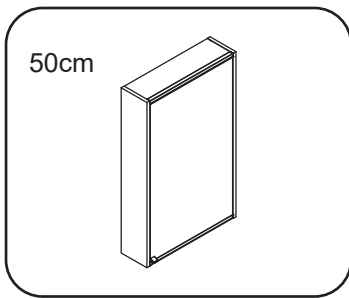


	
	
2x 5,0-60SU	6x 390010067


C D

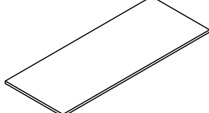


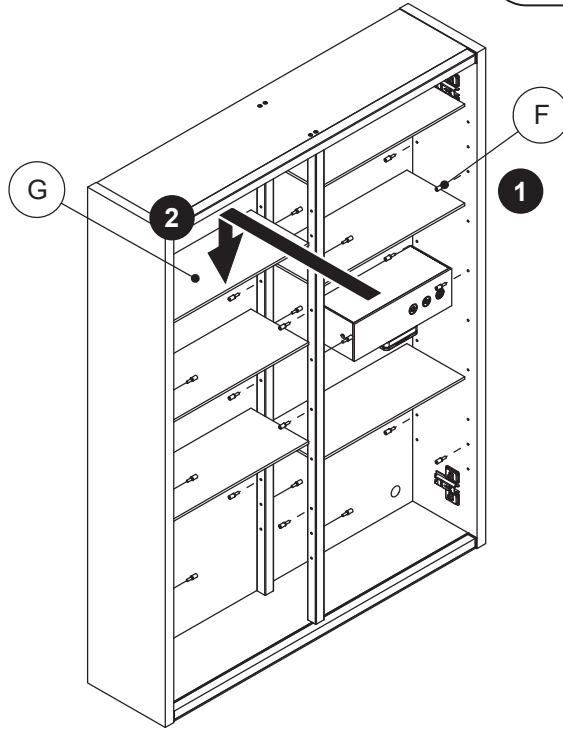
# 12




# 13

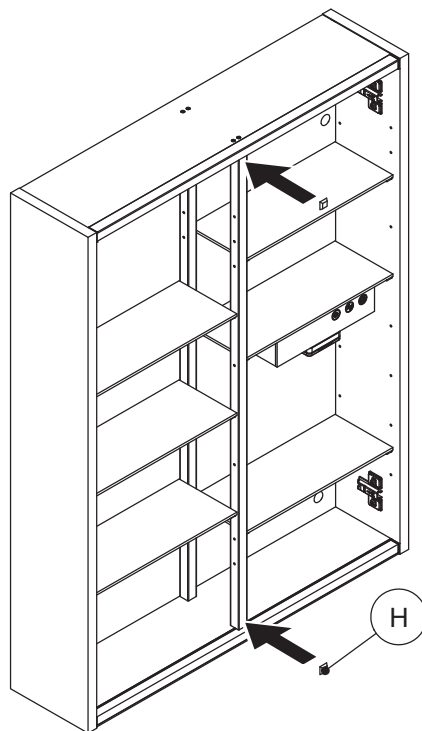
(F)   
24x/36x  
415533

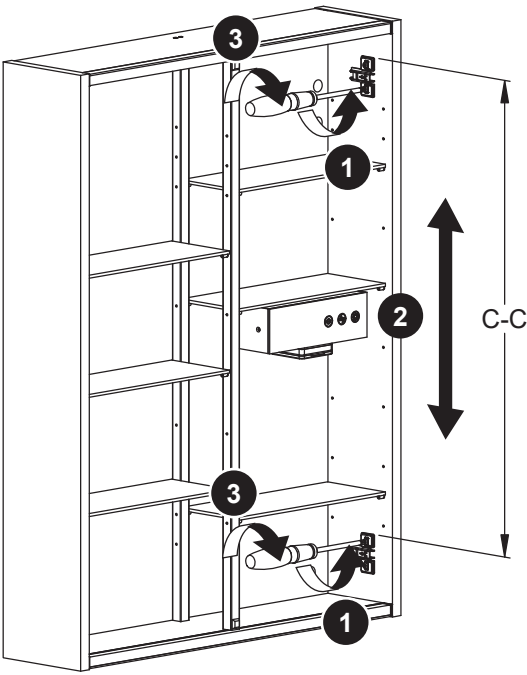
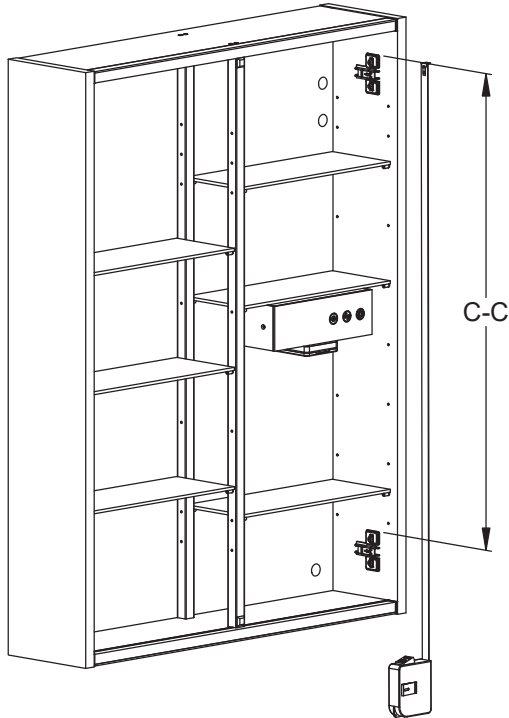
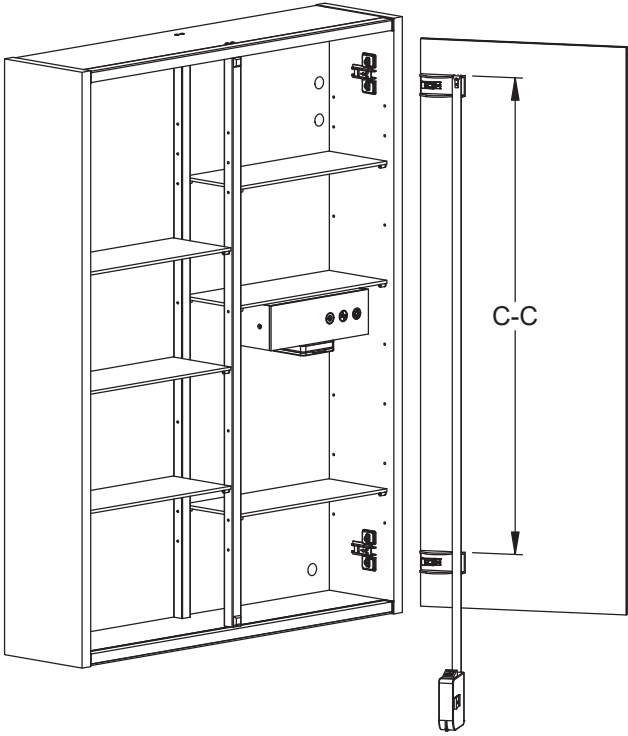
(G)   
6x/9x  
8208x0101

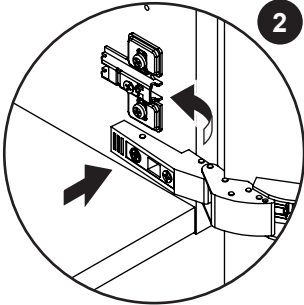
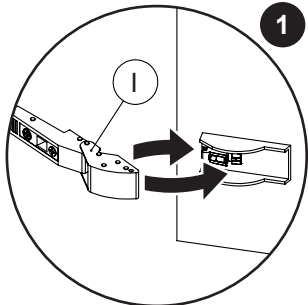
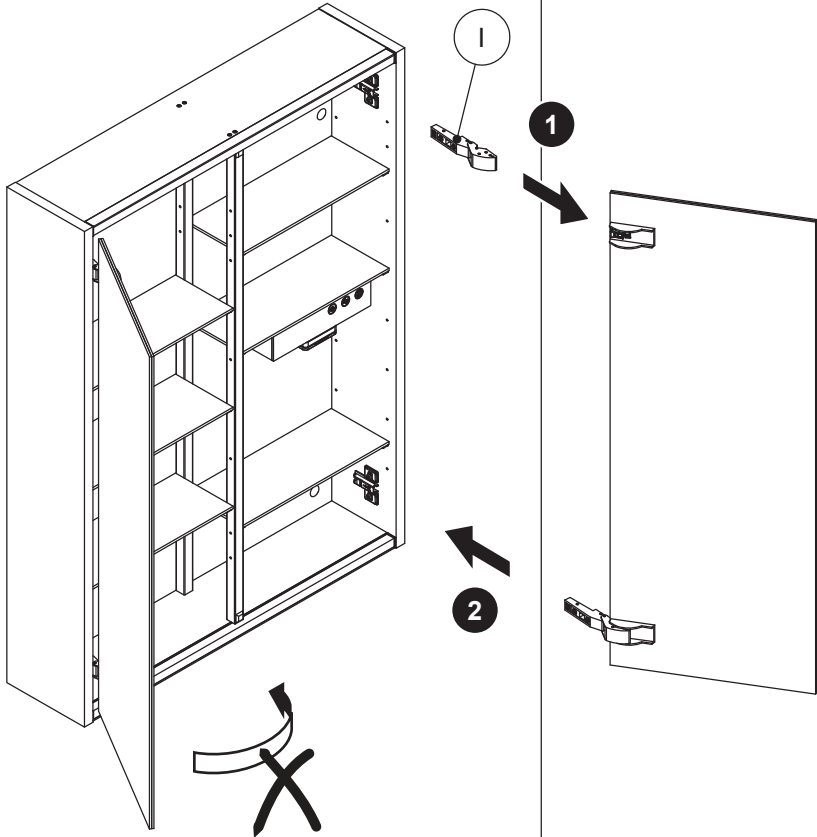
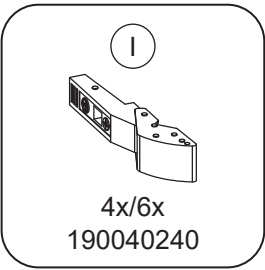


# 14

(H)   
2x/4x  
19500030






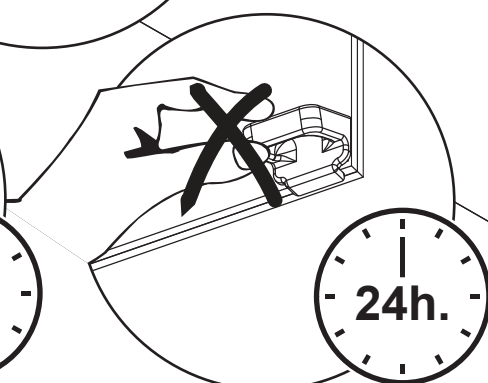
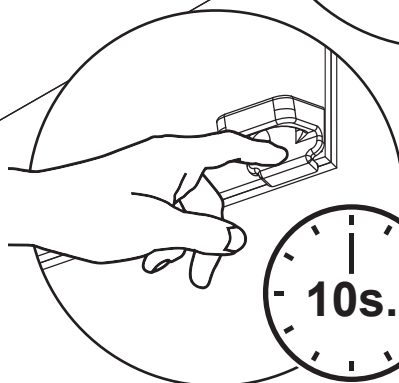
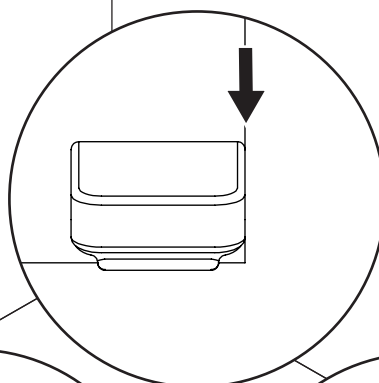
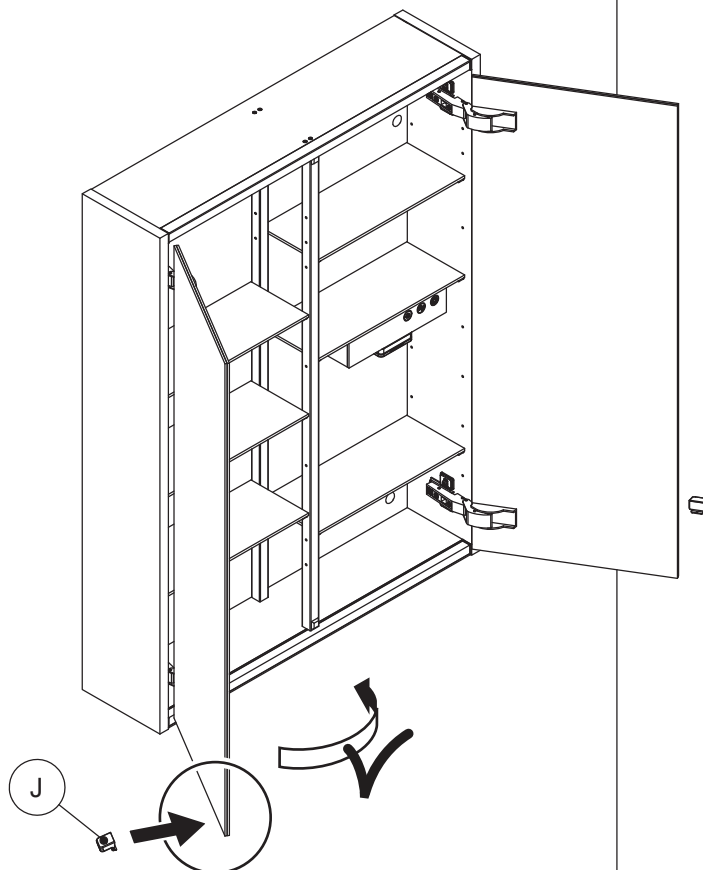


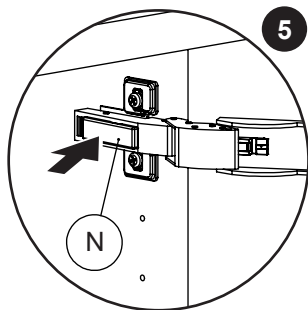
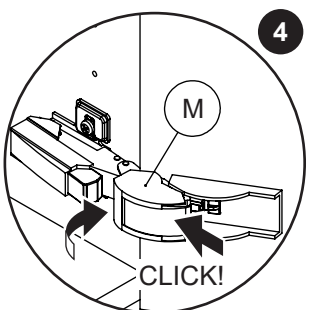
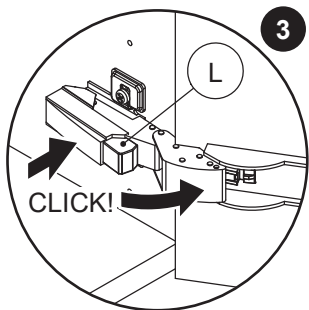
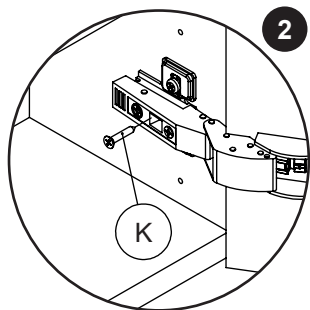
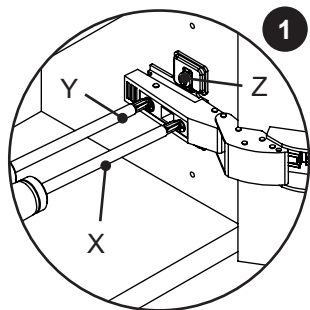
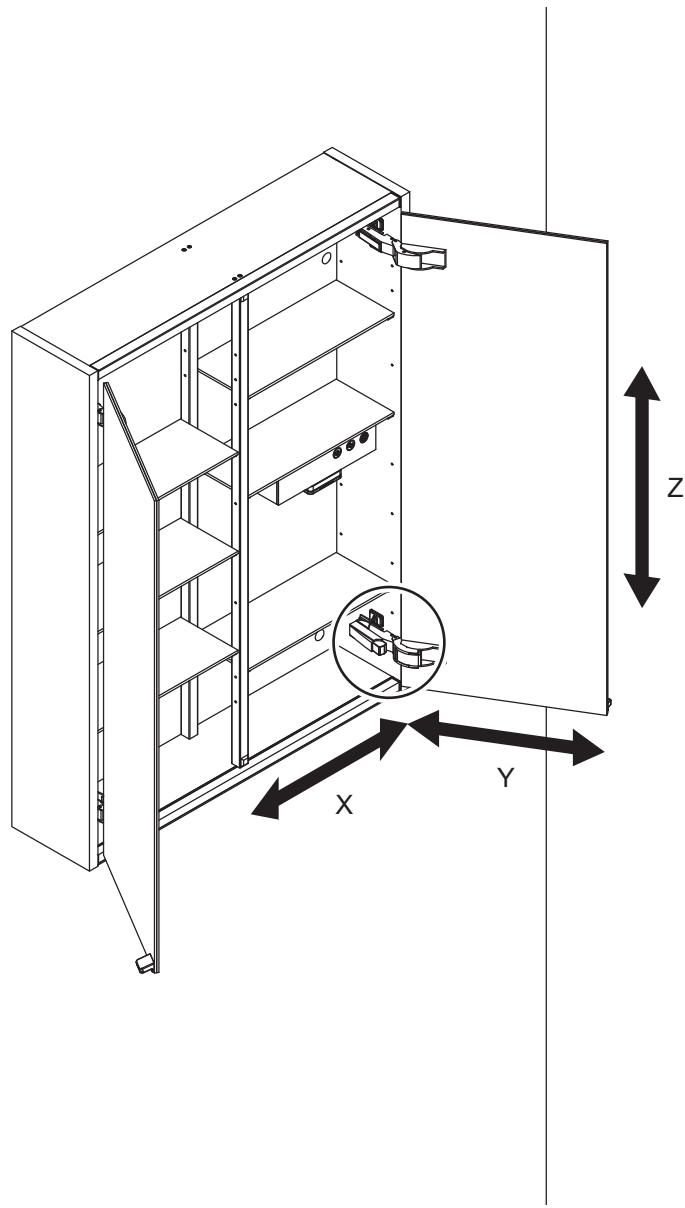
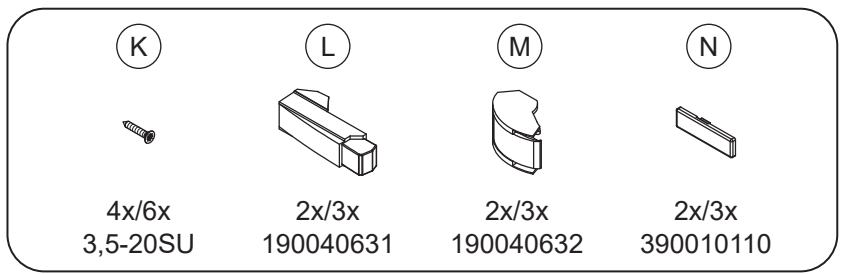


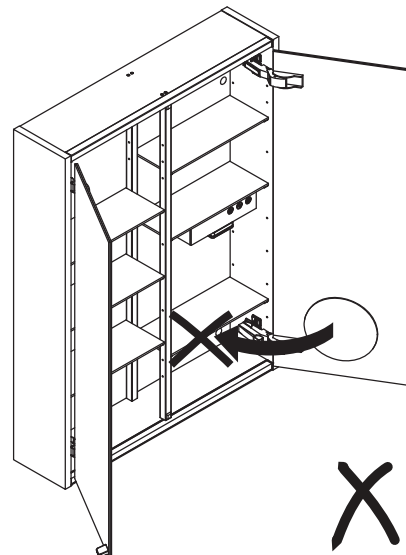
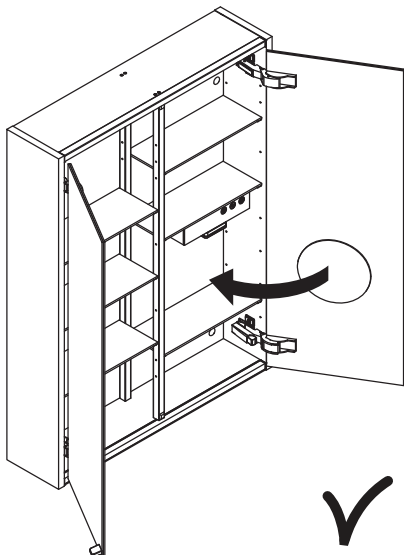
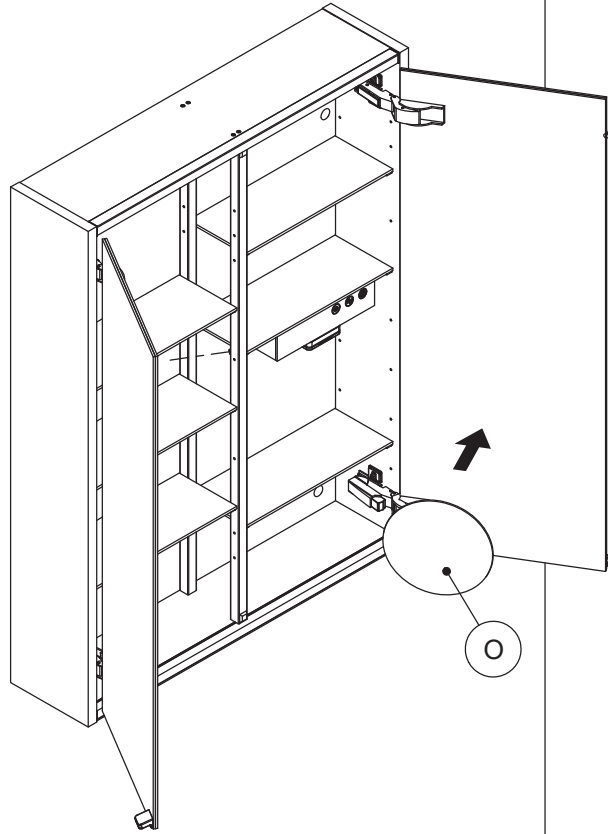
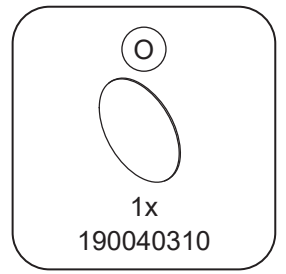
J

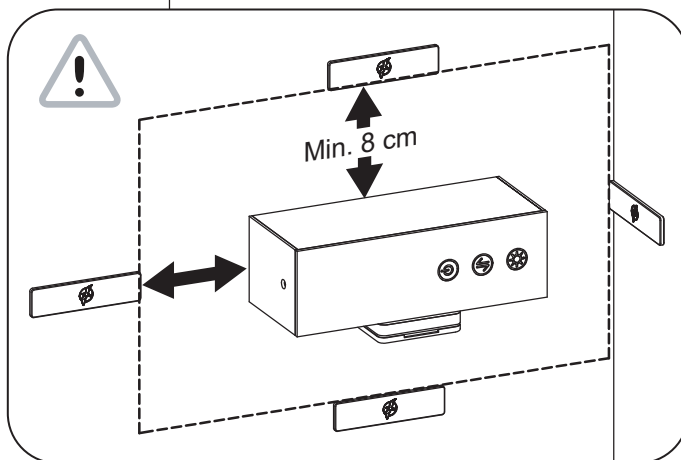
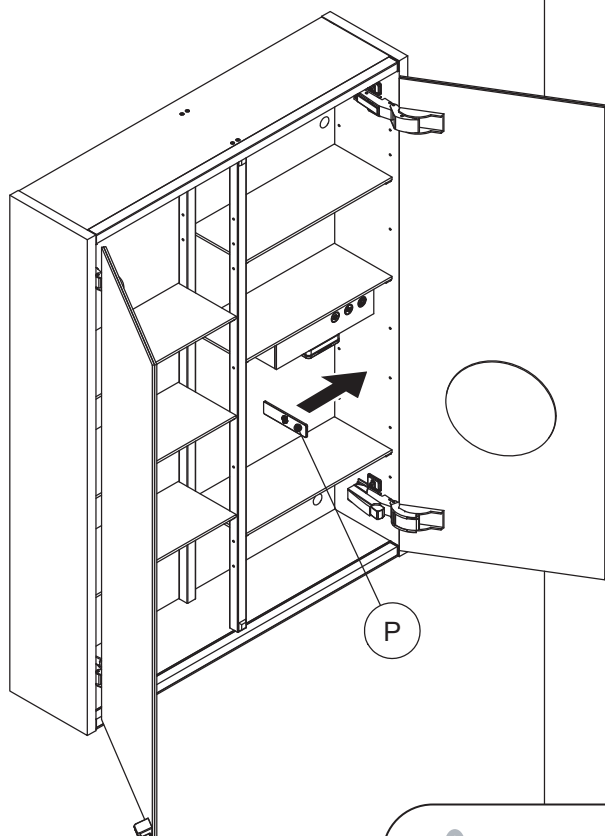
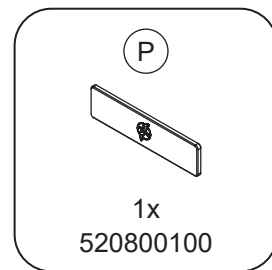
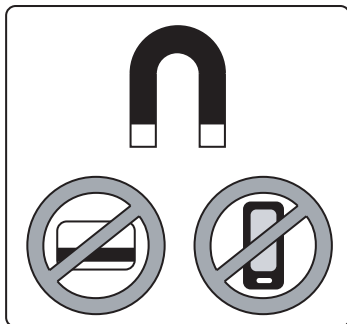


2x/3x  
840400147









5 713804 038753